



Water Machine (AD-820) Parts Manual

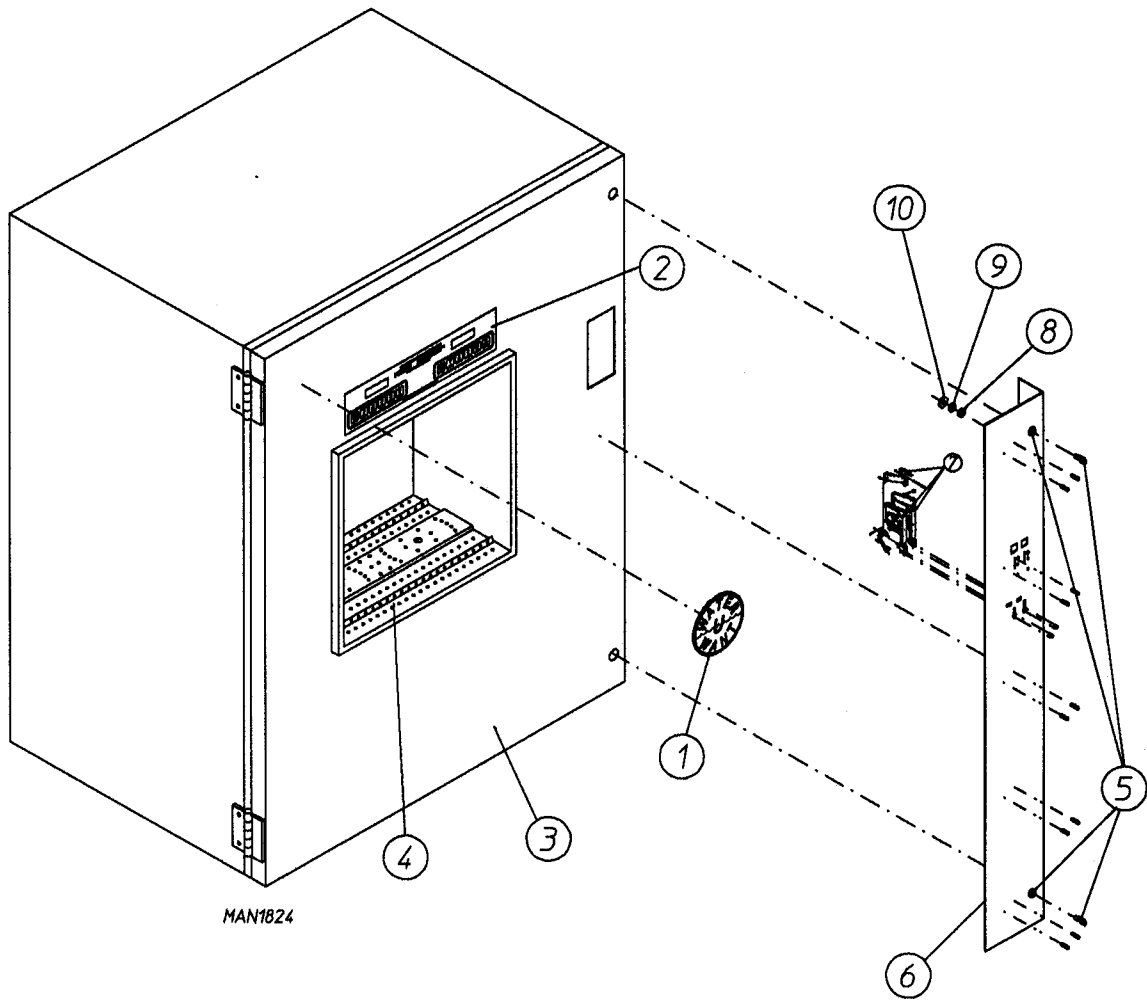
American Dispensing Company
88 Currant Road
Fall River, MA 02720-4781
Telephone: (508) 678-9010 / Cable: AMDRY / Fax: (508) 678-9447

Phase II

ADC Part No. 482051

Table of Contents

AD-820 Front Door Assembly	2
AD-820 Coin Box/Coin Vault Assembly	3
AD-820 Coin Acceptor Assembly	4
AD-820 Microprocessor (Computer) Assembly	5
AD-820 R.O. Comparator Board Assembly	6
AD-820 R.O. Housing Assembly	7
AD-820 Water Inlet Solenoid Assembly	8
AD-820 Dispensing Bay	9, 10
AD-820 Dispensing Solenoids	11, 12
AD-820 Electrical Component Mounting Strip Assembly	13, 14
AD-820 Water Tank Assembly	15, 16
AD-820 Drain Basin Assembly	17
AD-820 Drain Plumbing	18
AD-820 Pre-Filter Assembly	19, 20
AD-820 Large Blue Filter Assembly	21
AD-820 Polishing Filter Assembly	22
AD-820 Water Meter/Pressurized Tank Assembly	23
AD-820 Drain Pump/Dispensing Pump Assembly	24
AD-820 Pump Assembly	25, 26
AD-820 Rear Power Panel Assembly	27, 28
AD-820 Outer Top	29
AD-820 Cabinet Rear	30
AD-820 Cabinet Harness Assemblies	31
AD-820 Membrane Cleaning Start-Up Kit	32
AD-820 U.V. Light Replacement Parts	33
AD-820 Water-U-Want Labels Sheet	34
AD-820 Electrical Labels Sheet	35

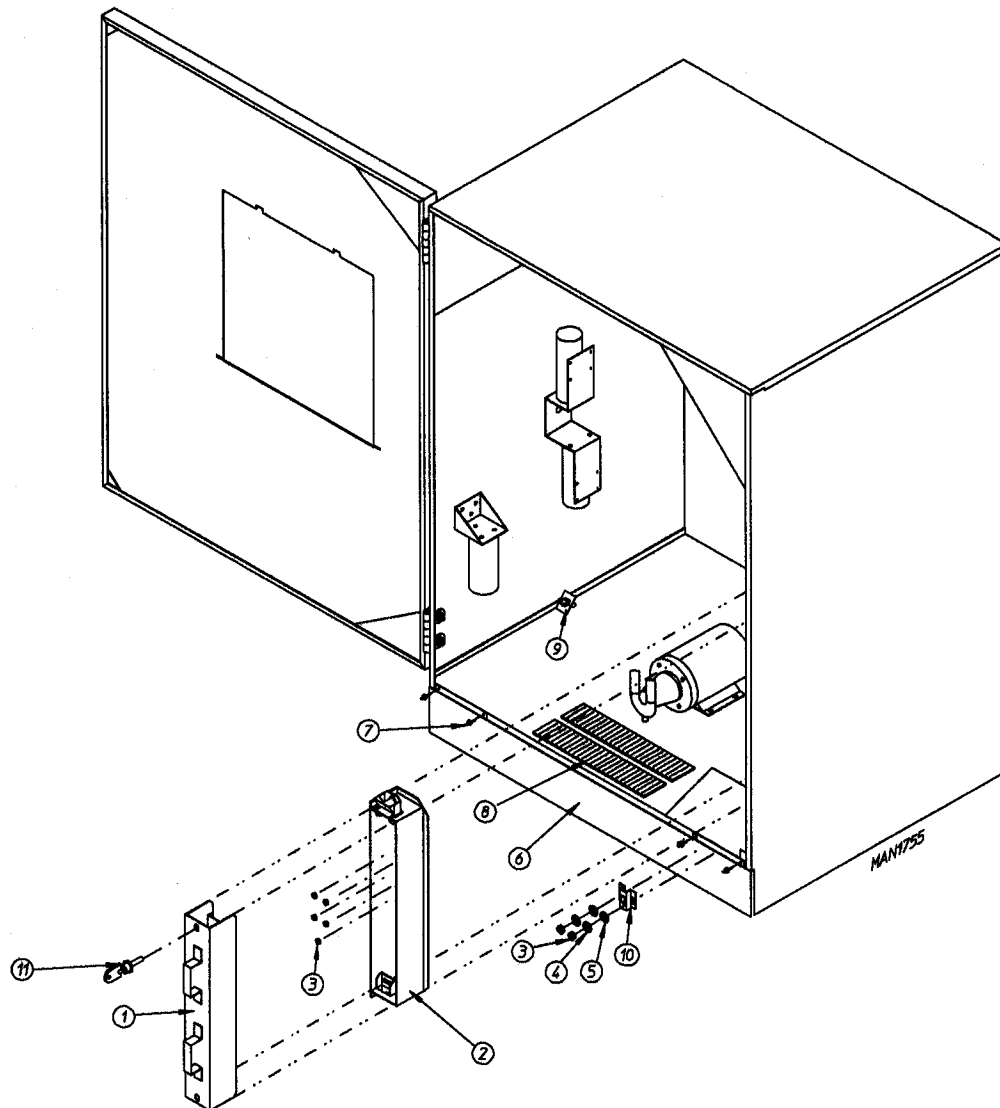


MAN1824

Illus. No. Part No. Qty. Description

1	182005	1	AD-820 Water-U-Want Label ONLY (refer to AD-820 Water-U-Want Label Sheet on page 34)
2	182000	1	AD-820 Membrane Switch ONLY
3*	820385	1	AD-820 Front Door Assembly
4	820417	1	AD-820 Dispensing Bay Assembly
5	182621	2	AD-820 Lock and Key Assembly
6	820432	1	AD-820 Front Door Shield Assembly (includes illus. nos. 6 and 7)
	300882	1	AD-820 Front Door Shield ONLY
7	-----	1	Coin Acceptor Assembly (refer to AD-820 Coin Acceptor Assembly on page 4)
8	153001	10	5/16" Flat Washer
9	153002	10	5/16" Lock Washer
10	152004	10	#5/16-18 Hex Nut

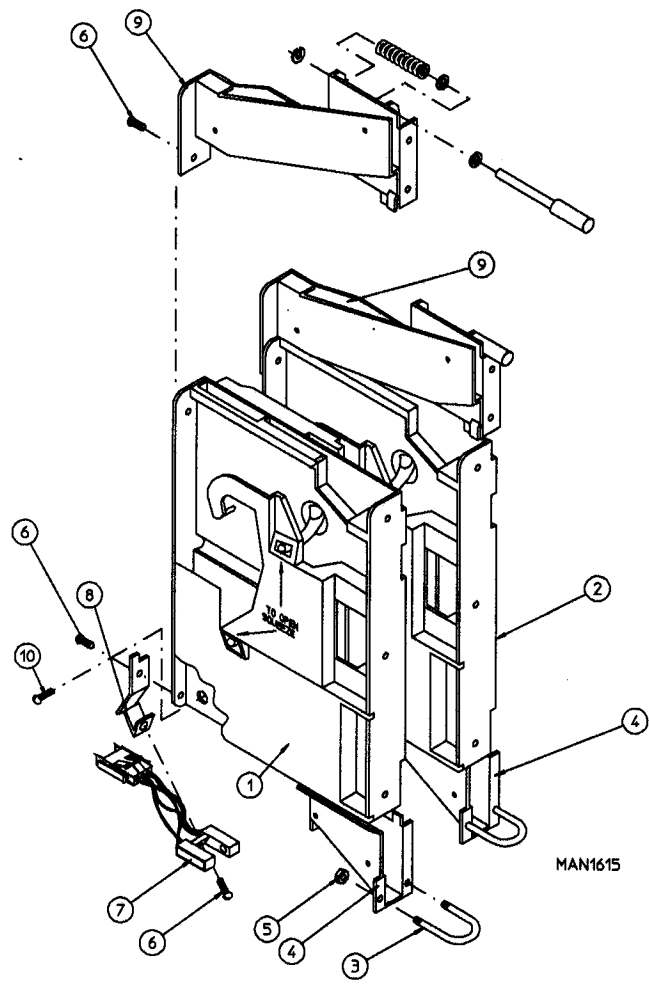
* Specify color when ordering.



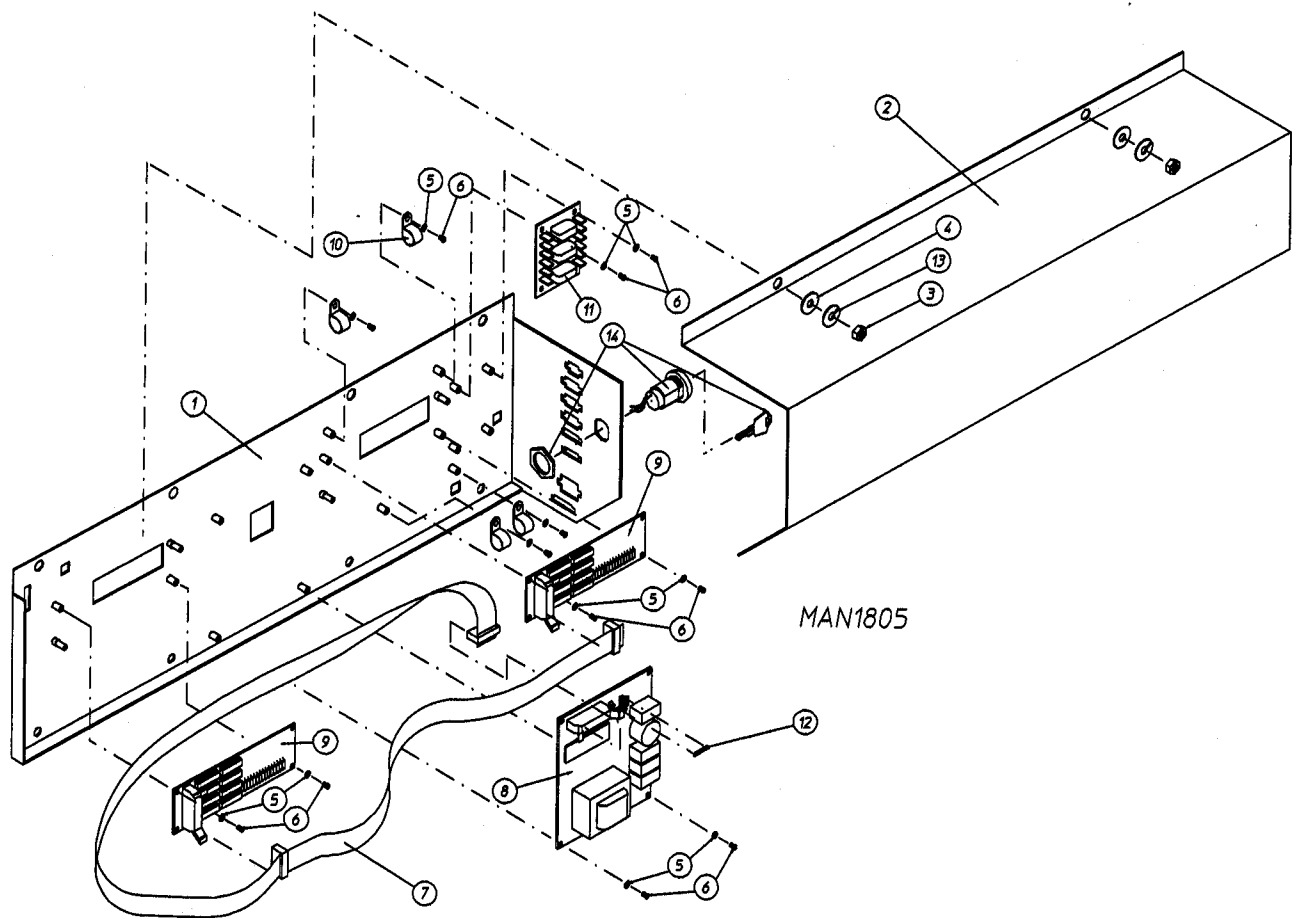
Illus.No. Part No. Qty. Description

1	820412	1	AD-820 Coin Box Assembly
2	820414	1	AD-820 Coin Vault Assembly
3	152004	4	#5/16-18 Hex Nut
4	153002	4	5/16" Lock Washer
5	153001	4	5/16" Flat Washer
6	820406	1	AD-820 Kick Plate
7	154200	8	5/32" Rivet
8	182032	*	Anti Slip Abrasive Strip - 4" wide (sold in feet)
9	880970	1	Single Station Level Switch Assembly with RC Network
10	300965	2	AD-820 Front Door Lock Bracket
11	182620	2	AD-820 Coin Box Lock and Key Assembly

* As required.

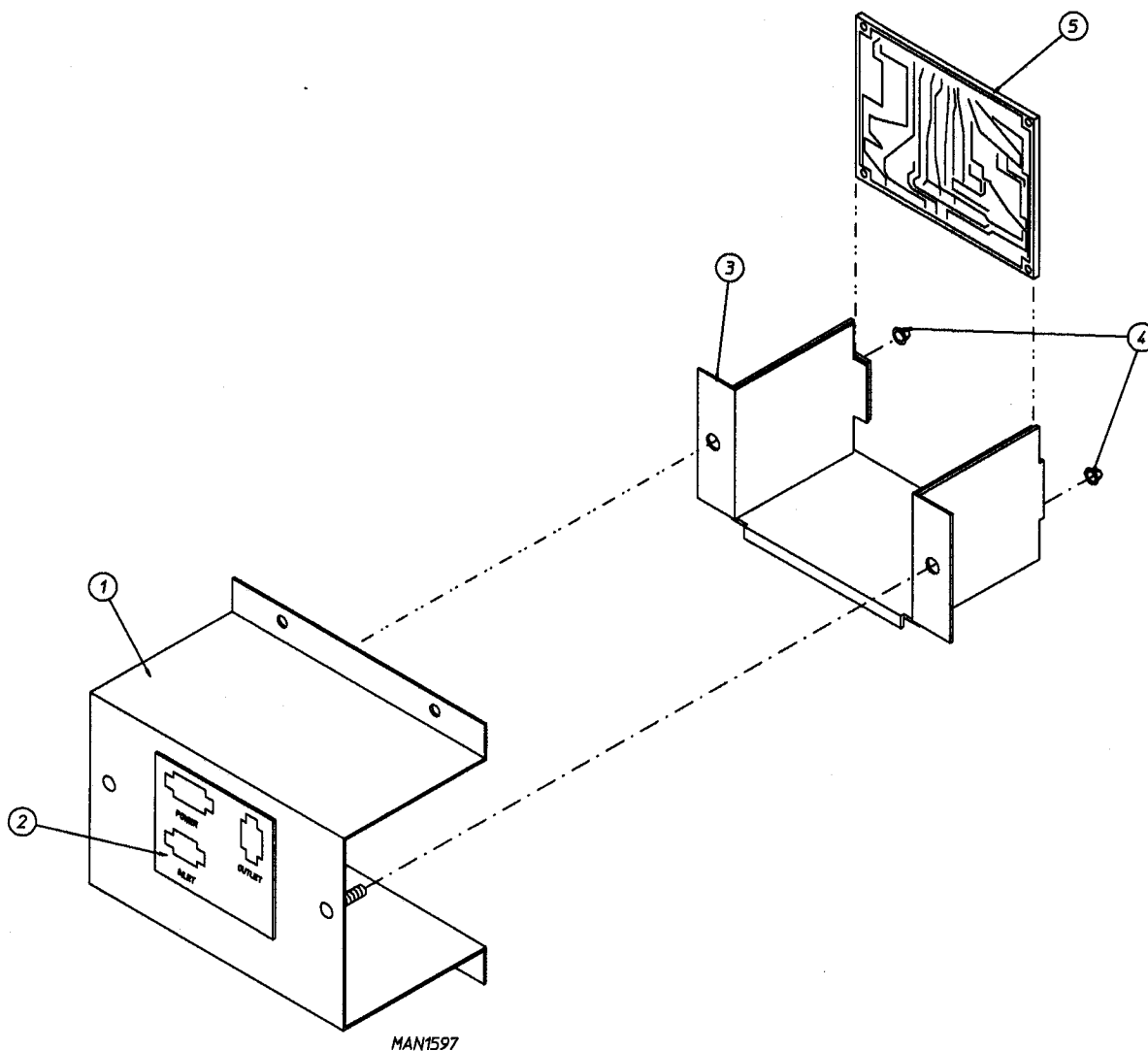


Illus. No.	Part No.	Qty.	Description
1	125707	1	AD-820 25¢ Coin Acceptor Body ONLY
2	125708	1	AD-820 10¢ Coin Acceptor Body ONLY
3	154320	2	#4-40 x 11/16" x 1" U-Bolt ONLY
4	880800	2	AD-820 Coin Acceptor Lower Reject with Bracket KIT (includes illus. nos. 4 and 10)
	125720	2	AD-820 Coin Acceptor Lower Reject with Bracket ONLY
5	152016	4	#4-40 Hex Nut
6	150020	6	#4-40 x 5/16" Slotted Pan Head Machine Screw
7	137056	2	Optical Switch ONLY
8	137049	2	Optical Switch Mounting Bracket ONLY
9	125715	2	AD-820 Coin Acceptor Upper Assembly Complete (includes spring, spacer, retaining ring, and acceptor rod)
10	150110	2	#8-32 x 1/4" Binding Head Phillips Machine Screw

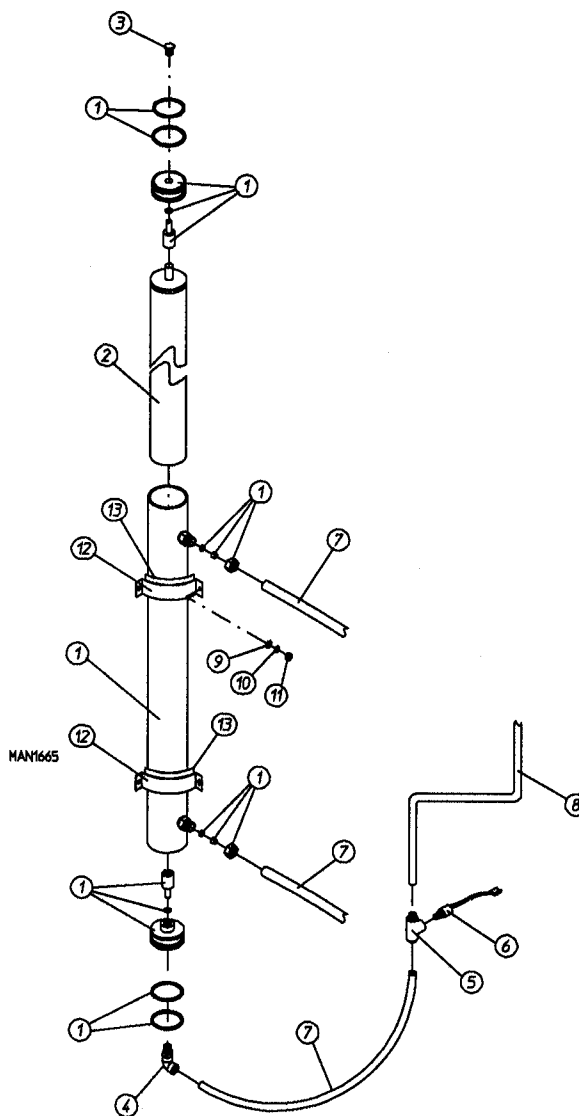


Illus. No.	Part No.	Qty.	Description
------------	----------	------	-------------

1	820424	1	AD-820 Microprocessor (Computer) Panel Assembly ONLY
2	300914	1	AD-820 Microprocessor (Computer) Cover
3	152004	2	#5/16-18 Hex Nut
4	153001	2	5/16" Flat Washer
5	153010	15	#6 Star Washer
6	150005	15	#6-32 x 1/4" Phillips Round Head Machine Screw
7	182012	1	AD-820 Ribbon Connector ONLY
8	182013	1	AD-820 Microprocessor (Computer) Assembly Complete (includes illus. nos. 7, 8, and 9)
	182011	1	AD-820 Microprocessor (Computer) Board ONLY
9	182010	2	AD-820 Display Board ONLY
10	121491	4	5/8" White Nylon Clamp
11	137060	1	Arc Suppressor Board ONLY
12	136057	2	1/2-Amp (Slo Blo) Fuse
13	153002	2	5/16" Lock Washer
14	182468	1	Program Switch Lock and Key Assembly ONLY

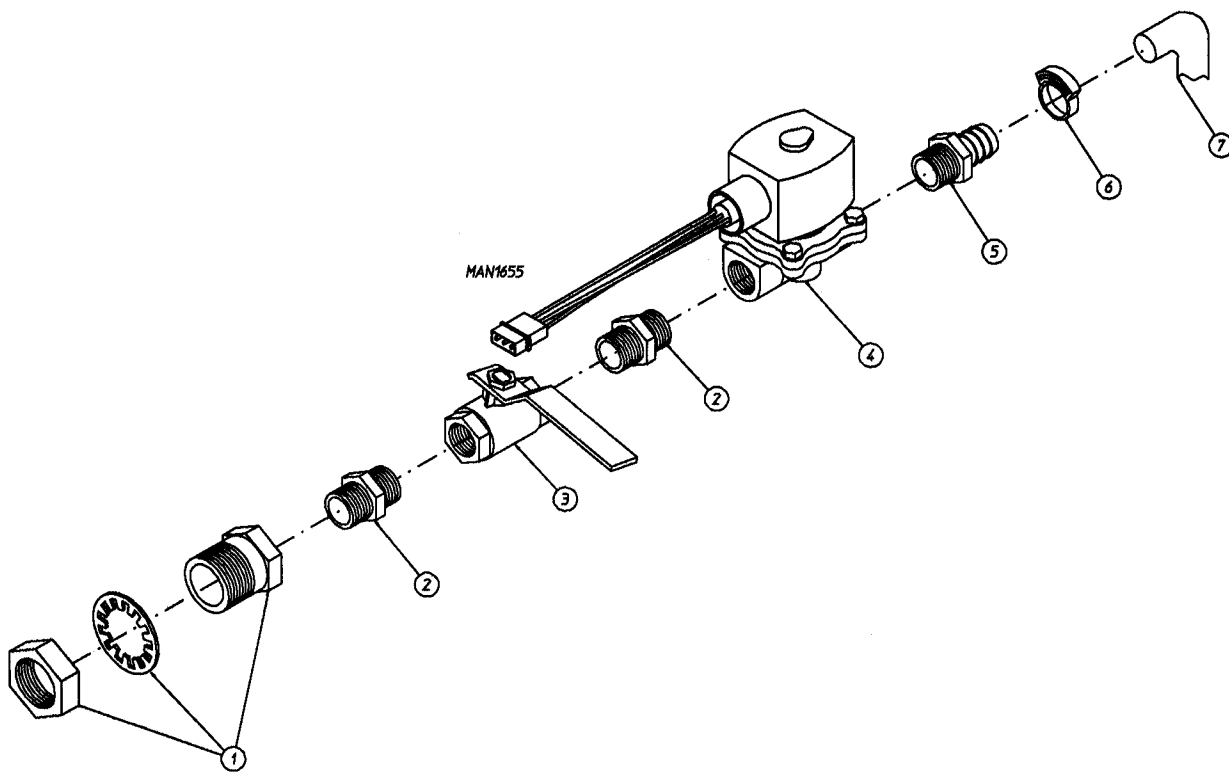


Illus. No.	Part No.	Qty.	Description
1	820440	1	AD-820 Reverse Osmosis (R.O.) Comparator Box Assembly (includes illus. nos. 1, 3, 4, and 5)
	300911	1	AD-820 R.O. Comparator Box Cover ONLY
2	182006	1	AD-820 R.O. Comparator Box Cover Label ONLY (refer to AD-820 Electrical Labels Sheet on page 35)
3	820439	1	AD-820 R.O. Comparator Box ONLY
4	151001	2	#8-32 Pal Nut
5	182080	1	AD-820 R.O. Comparator Board ONLY



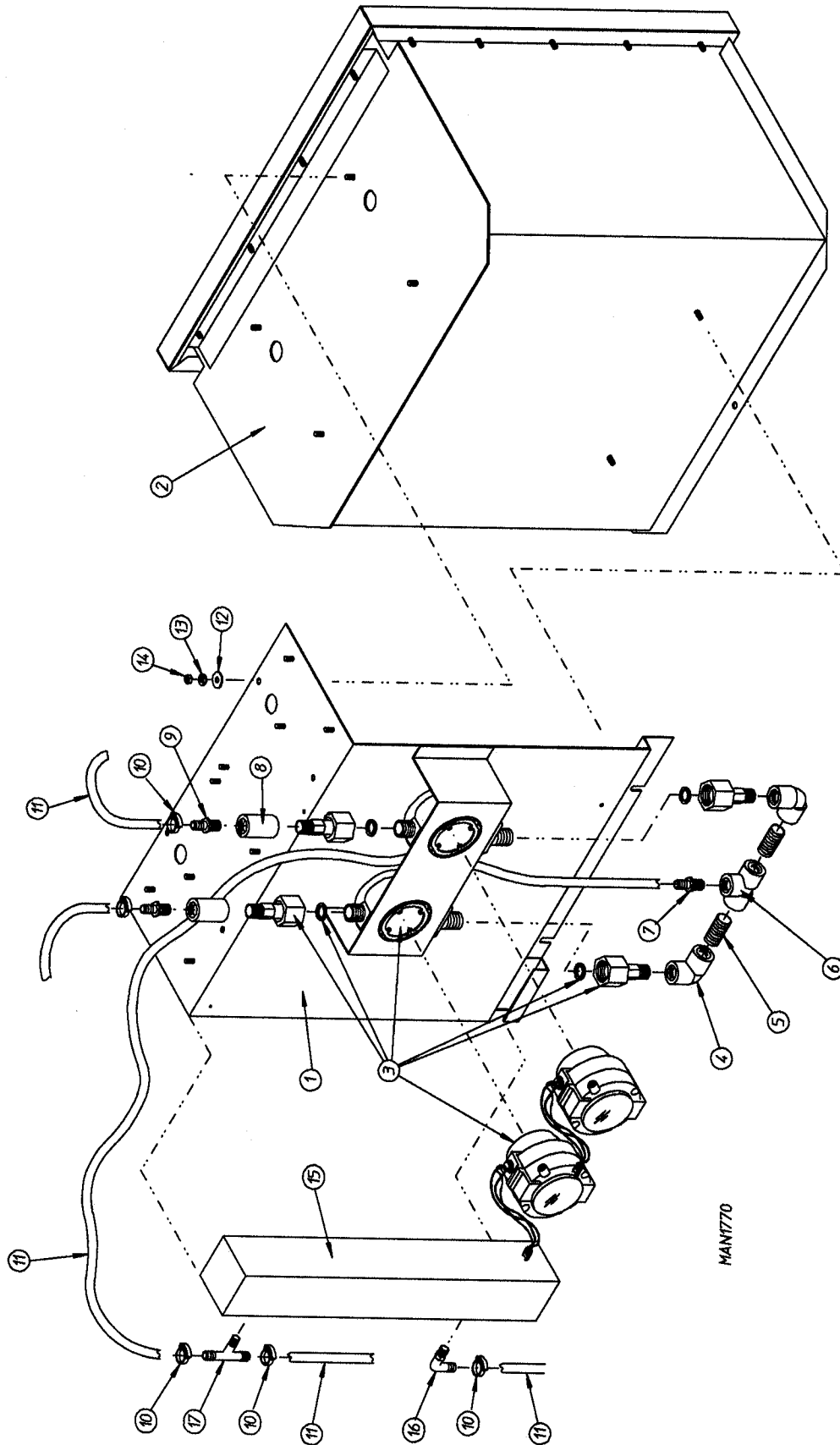
Illus. No.	Part No.	Qty.	Description
1	182092	1	AD-820 Reverse Osmosis (R.O.) Housing and Membrane with Caps Sealed
2	182093	1	AD-820 Reverse Osmosis (R.O.) Membrane ONLY
3	182551	1	1/2" Threaded PVC Plug
4	182584	1	1/2" x 1/2" N.P.T. Elbow
5	880974	1	Plastic Tee Assembly
6	820480	1	AD-820 R.O. Comparator (Product) Test Cell Assembly
7	182376	*	.295 x 3/8" x .04 Nylon Tubing (sold in feet)
8	182377	*	1/2" Nylon Tubing (sold in feet)
9	153001	4	5/16" Flat Washer
10	153002	4	5/16" Lock Washer
11	152004	4	#5/16-18 Hex Nut
12	300833	2	AD-820 R.O. Housing Strap
13	182031	*	2" Foam Strip - 1/8" thickness (sold in feet)

* As required.



Illus.No.	Part No.	Qty.	Description
1	182595	1	1/2" Brass Bulkhead Adaptor
2	182578	2	1/2" Brass Hex Pipe Nipple
3	182052	1	AD-820 1/2" Bronze Ball Valve ONLY
4	820472	1	"Oil Free" Water Inlet Valve Assembly - 24 VAC
5	182531	1	5/8" x 1/2" N.P.T. Hose to Male Pipe
6	182526	1	7/8" Kwik Clamp
7	182378	*	5/8" x 1/8" Wall Korobraid Tubing (sold in feet)

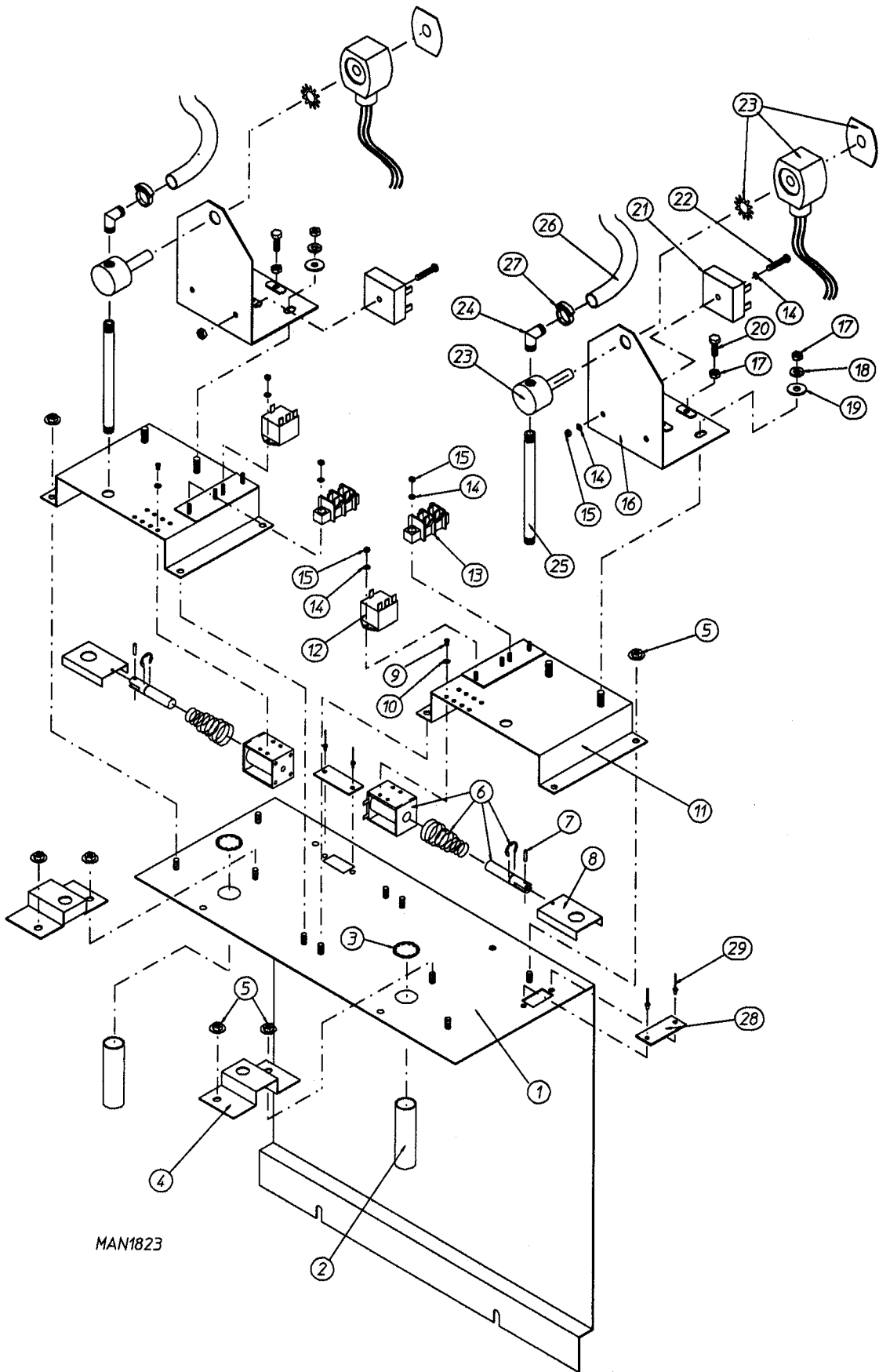
* As required.



<u>Illus. No.</u>	<u>Part No.</u>	<u>Qty.</u>	<u>Description</u>
1	820421	1	AD-820 Dispensing Bay Component Mount Assembly
2	820417	1	AD-820 Dispensing Bay
3	182352	2	Flow Meter
4	182553	2	1/2" PVC Elbow
5	182572	2	1/2" PVC Short Nipple
6	182560	1	1/2" PVC Tee
7	182591	1	1/2" x 1/2" N.P.T. Nylon Male Adaptor
8	182533	2	1/2" Threaded Coupling
9	182591	2	1/2" x 1/2" N.P.T. Nylon Male Adaptor
10	182525	*	11/16" Kwik Clamp
11	182375	*	1/2" PVC Reinforced Tubing
12	153018	6	1/4" Flat Washer
13	153007	6	1/4" Lock Washer
14	152002	6	1/4-20 Hex Nut
15	182200	1	AD-820 Ultraviolet (U.V.) Light Assembly
16	182555	1	1/2" x 3/8" N.P.T. Nylon Male Elbow
17	182565	1	1/2" x 1/2" x 3/8" N.P.T. Male Tee

* As required.

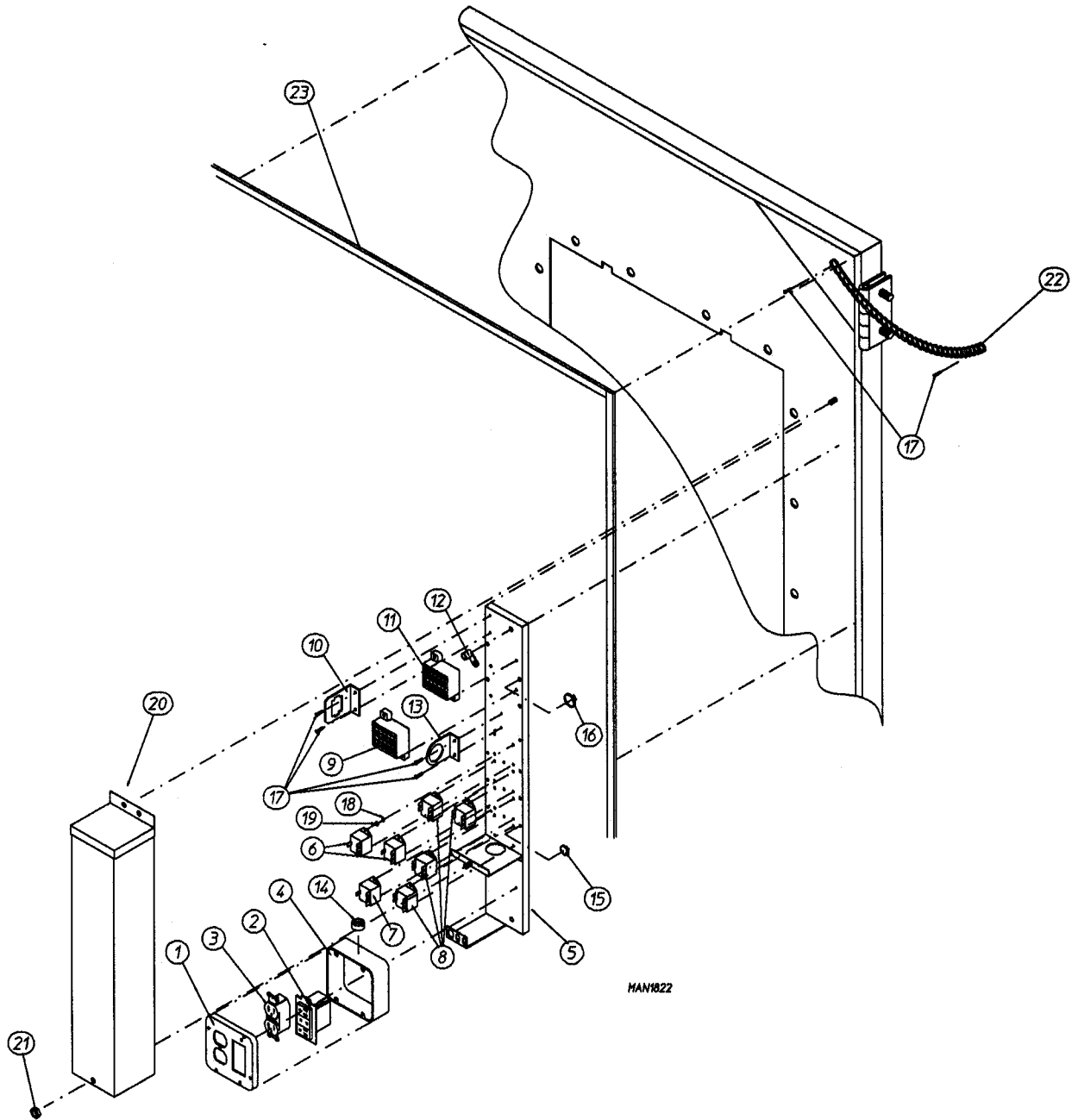
** For AD-820 U.V. Light Replacement Parts refer to page 33.



MAN1823

<u>Illus. No.</u>	<u>Part No.</u>	<u>Qty.</u>	<u>Description</u>
1	820394	1	AD-820 Dispensing Bay Mounting Panel ONLY
2	182401	2	Nozzle Protector
3	182510	2	Stainless Steel Nozzle Retaining Ring
4	300887	2	Nozzle Protector Restraint
5	152014	12	#1/4-20 Free Spin Wash Nut
6	182060	2	Trap Door Solenoid Valve - 24 VAC
7	182410	2	3/32" Stainless Steel Spring Pin
8	300886	2	AD-820 Trap Door
9	150105	8	#8-32 x 1/4" Machine Screw
10	153000	8	#8 Steel Burr
11	820397	1	AD-820 Left Hand Dispensing Solenoid Mounting Plate ONLY
	820398	1	AD-820 Right Hand Dispensing Solenoid Mounting Plate ONLY
12	131932	2	Single-Pole-Single-Throw (SPST) Relay - 24 VAC
13	120707	2	2-Terminal Closed Block
14	153012	12	#8 Star Washer
15	152001	10	#8-32 Hex Nut
16	820416	2	AD-820 Dispensing Solenoid Mounting Bracket ONLY
17	152004	4	#5/16-18 Hex Nut
18	153002	4	5/16" Lock Washer
19	153001	4	5/16" Flat Washer
20	150501	4	#5/16-18 x 3/4" Bolt
21	182454	2	1-Second "Time On" Delay Module ONLY
22	150104	2	8-32 x 1-1/2" Slotted Round Head Machine Screw
23	820470	2	Stainless Steel "Oil Free" Valve Assembly - 24 VAC
24	182558	2	1/2" x 1/4" N.P.T. Nylon Elbow
25	182571	2	1/4" x 6" PVC Nipple
26	182375	*	1/2" x 1/8" Wall Korobraid Tubing (sold in feet)
27	182525	2	11/16" Kwik Clamp
28	300946	1	AD-820 Dispensing Bay Cover
29	154200	2	1/8" x 5/16" Pop Rivet

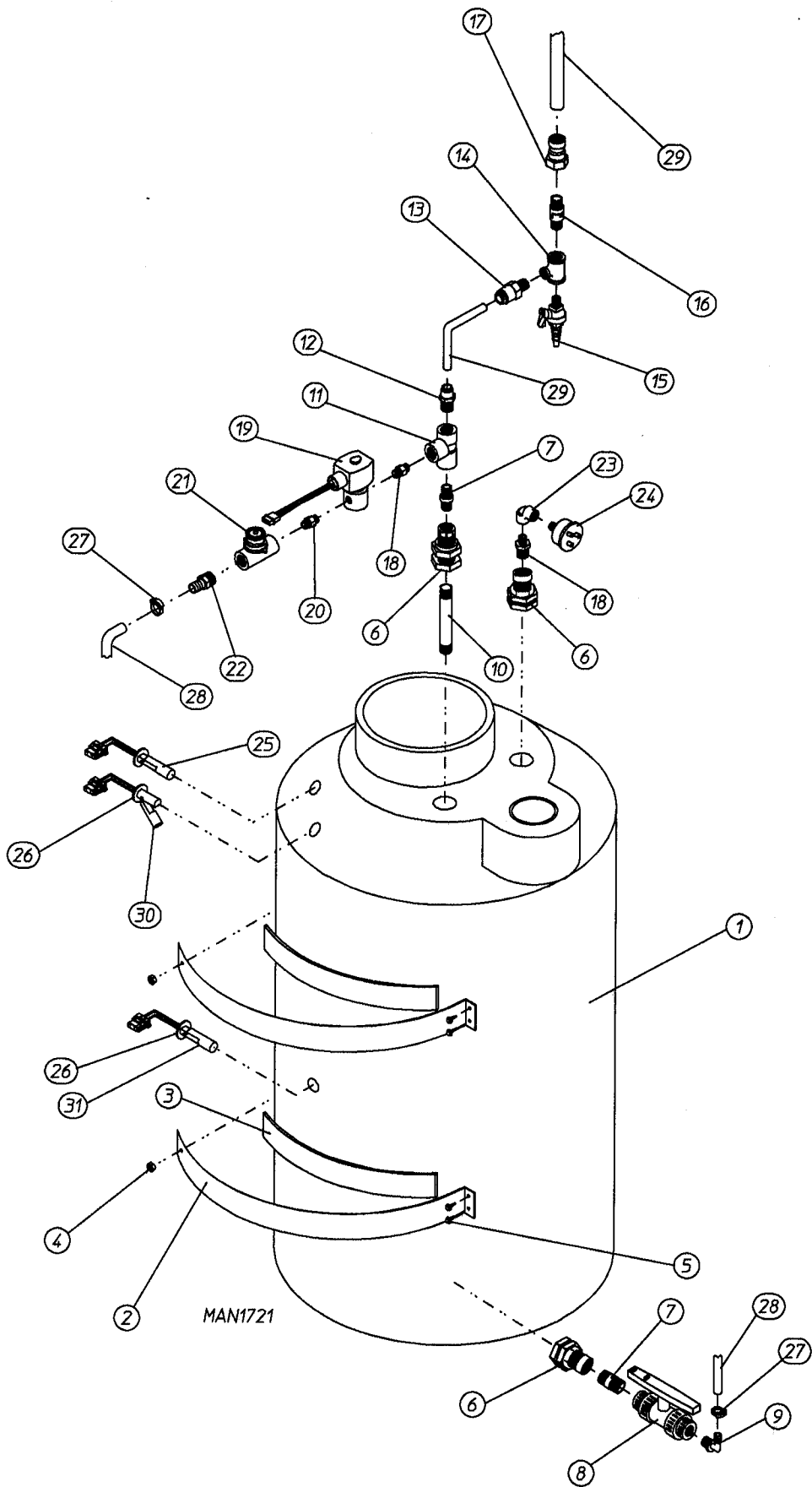
* As required.



<u>Illus. No.</u>	<u>Part No.</u>	<u>Qty.</u>	<u>Description</u>
1	182460	1	AD-820 Ground Fault/Duplex Cover
2	182450	1	AD-820 Ground Fault Interrupter Receptical
3	121125	1	Duplex Receptical - Gray
4	182459	1	4" x 4" Junction Box
5	820443	1	AD-820 Electrical Component Mounting Strip Assembly (includes illus. nos. 2 through 9, 11, and 12)
	300896	1	AD-820 Electrical Component Mounting Strip ONLY
6	131931	2	CR 3, CR 4 Single-Pole-Double-Throw (SPDT) Relay - 24 VAC
7	131030	1	CR 2 Relay - 115 VAC
8	131932	4	CR 1, CR 5, CR 6, CR 8 Single-Pole-Single-Throw (SPST) Relay - 24 VAC
9	120730	1	30-Position A,B,C Terminal Block
10	304033	1	AD-820 Harness Bracket
11	120715	1	30-Position Terminal Block
12	121010	1	Ground Lug
13	318700	1	AD-820 Harness Bracket
14	121400	1	Universal Bushing
15	121494	*	3/16" Push Mount Wire Tie
16	182451	*	Nylon Push Mount Wire Tie
17	150300	4	#10-16 x 1/2" Hex Washer TEK Screw
18	153012	4	#8 Star Washer
19	152001	20	8-32" Hex Nut
20	820405	1	AD-820 Electrical Box Cover ONLY
21	152014	1	#1/4-20 Free Spin Wash Nut
22	182415	1	Sash Chain (sold in feet)
23	182030	*	Rubber Door Trim - 1/2" wide (sold in feet)

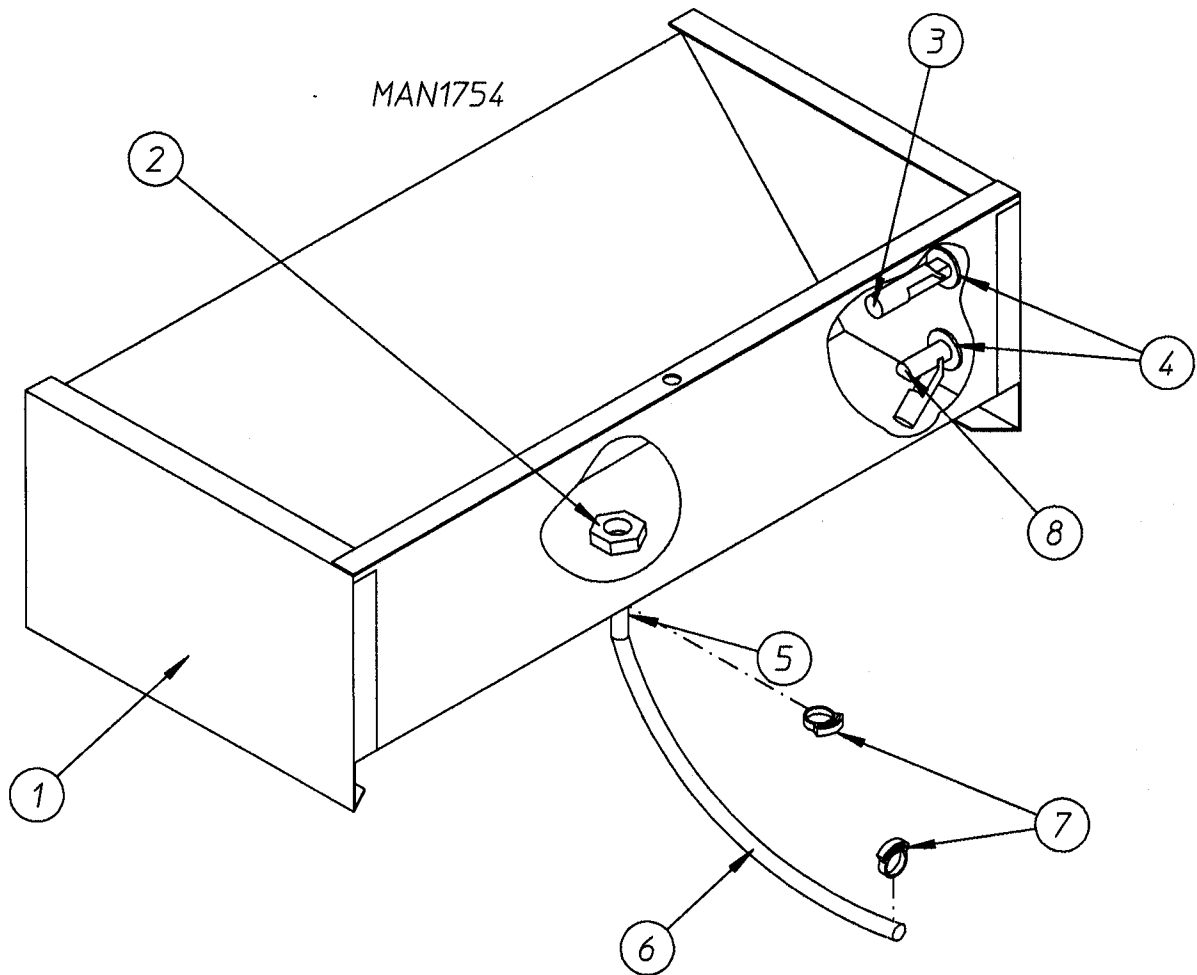
* As required

- CR 1 Dispense Pump
- CR 2 U.V. (ultraviolet) Lamp Alarm
- CR 3 High Level Float Switch
- CR 4 24 v Supply
- CR 5 Base Float Switch and Overflow Switch
- CR 6 Drain Pump
- CR 8 Water Inlet Solenoid



<u>Illus. No.</u>	<u>Part No.</u>	<u>Qty.</u>	<u>Description</u>
1	182250	1	AD-820 55 Gallon, Closed Dome Water Tank ONLY
2	300980	2	AD-820 Water Tank Strap ONLY
	820349	1	AD-820 Water Tank Stap and Foam Strip Assembly (includes illus. nos. 2 and 3)
3	182031	*	2" Foam Strip - 1/8" thickness (sold in feet)
4	152004	2	#5/16-18 Hex Nut
5	150300	4	#10 x 1/2" Hex Washer TEK Screw
6	182251	3	1/2" PVC Bulkhead Fitting
7	182572	2	1/2" PVC Short Nipple
8	182056	1	AD-820 1/2" PVC Ball Valve ONLY
9	182556	1	1/2" x 1/2" N.P.T. Nylon Elbow
10	182570	1	1/2" x 8" PVC Nipple
11	182560	1	1/2" Threaded PVC Tee
12	182581	1	3/8" x 1/2" N.P.T. Male Connector
13	182580	1	3/8" x 1/4" N.P.T. Male Connector
14	182561	1	1/4" Threaded PVC Tee
15	182054	1	AD-820 1/4" PVC Ball Valve ONLY
16	182055	1	AD-820 1/4" x 1/4" N.P.T. Check Valve ONLY
17	182583	1	3/8" x 1/4" Connector
18	182575	2	1/4" x 1/2" Nylon Reducing Nipple
19	820471	1	Stainless Steel "Oil Free" Circulation Valve Assembly - 24 VAC
20	182576	1	1/4" N.P.T. Nylon Nipple
21	182059	1	AD-820 1/4" PVC Needle Valve ONLY
22	182590	1	1/2" x 1/4" N.P.T. Adaptor
23	182552	1	1/4" Threaded PVC Elbow
24	182150	1	AD-820 Vent Filter ONLY
25	880971	1	Water Tank Overfill Switch Assembly with RC Network
26	182403	3	5/8" Gasket
27	182525	2	11/16" Kwik Clamp
28	182375	*	1/2" x 1/8" Wall Korobraid Tubing (sold in feet)
29	182376	*	.295 x 3/8" x .04 Nylon Tubing (sold in feet)
30	880968	1	Water Tank High Level Switch Assembly with RC Network
31	880973	1	Water Tank Low Level Switch Assembly

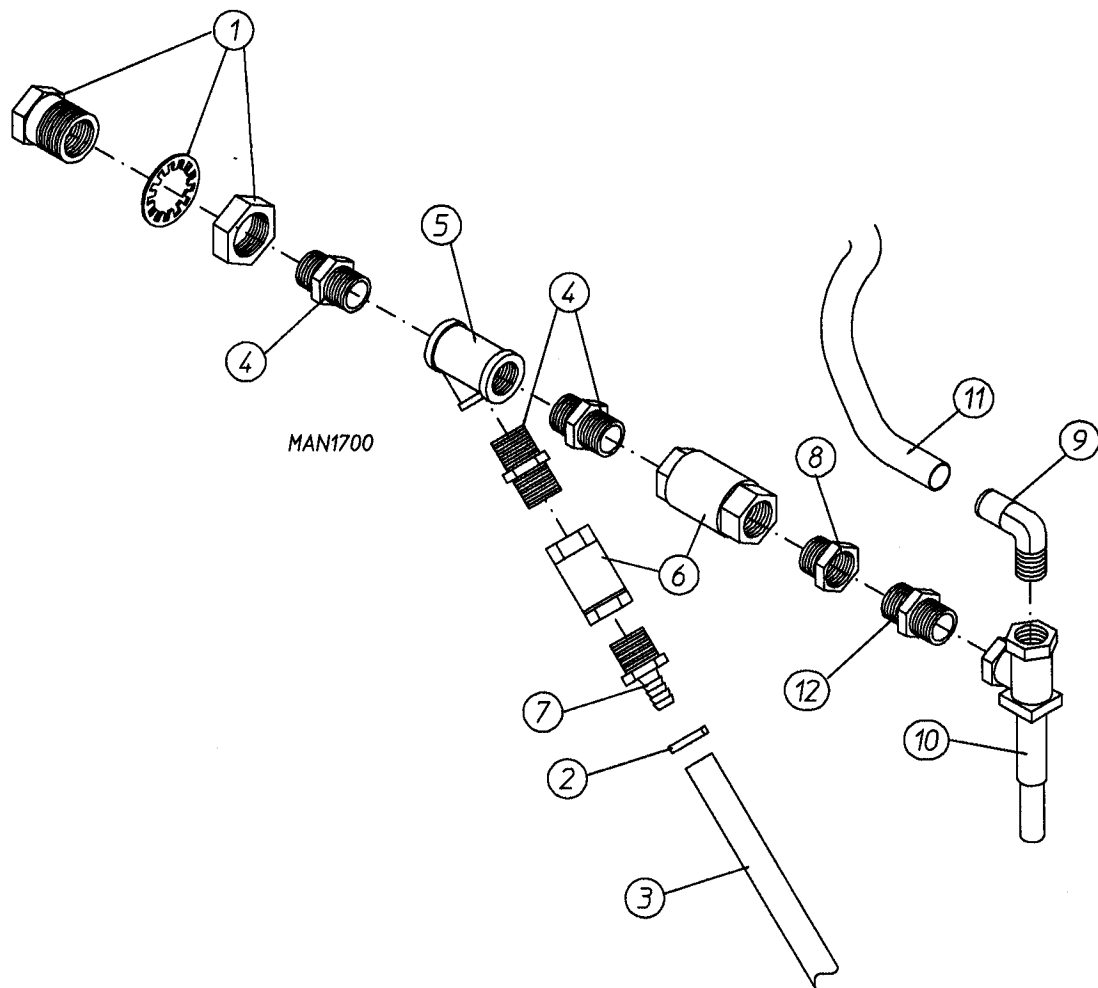
* As required.



Illus. No. Part No. Qty. Description

1	820418	1	AD-820 Drain Basin Assembly ONLY
2	182595	1	1/2" Brass Bulkhead Adaptor
3	880972	1	Drain Basin Overfill Switch Assembly with RC Network
4	182403	2	5/8" Gasket
5	182530	1	1/2" x 1/2" N.P.T. Hose to Male Pipe
6	182375	*	1/2" x 1/8" Wall Korobraid Tubing (sold in feet)
7	182525	2	11/16" Kwik Clamp
8	880969	1	Drain Basin Spill Switch Assembly with RC Network

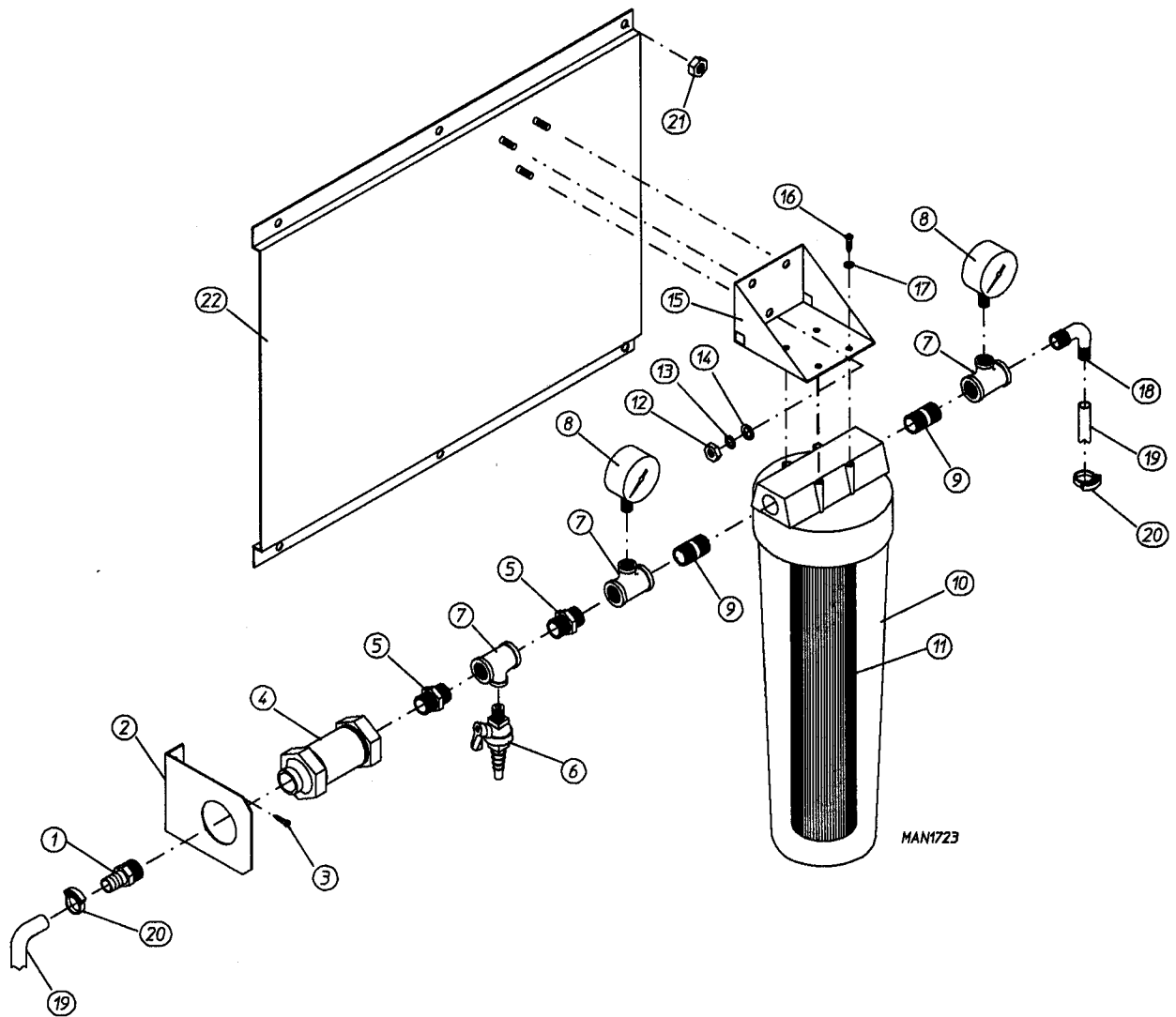
* As required.



Illus. No. Part No. Qty. Description

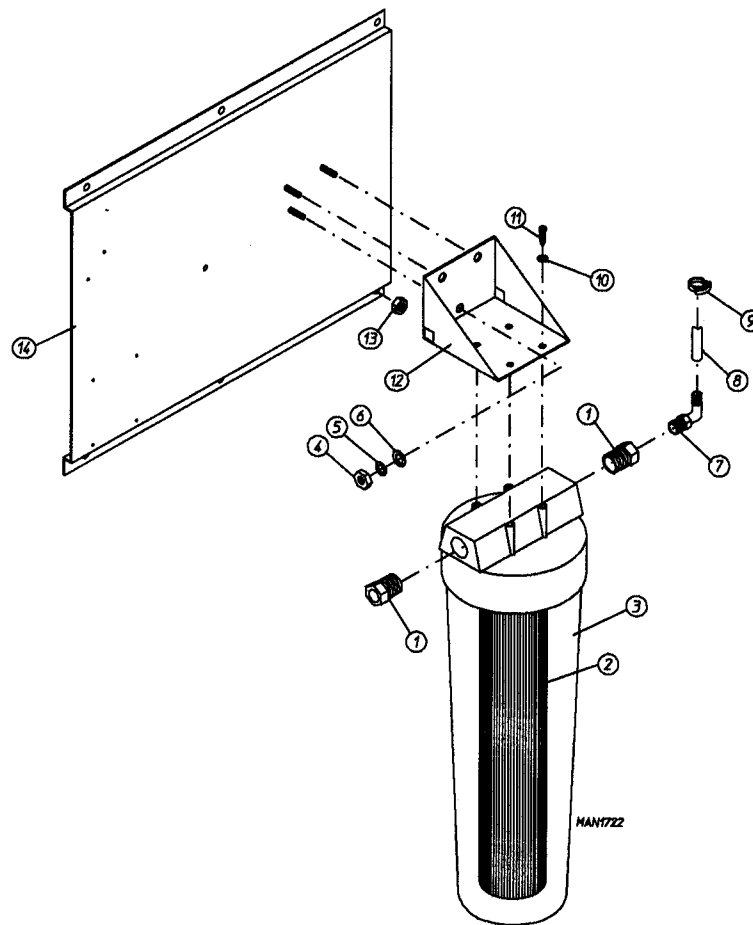
1	182595	1	1/2" Brass Bulkhead Adaptor
2	182525	*	11/16" Kwik Clamp
3	182375	*	1/2" x 1/8" Wall Korobraid Tubing
4	182578	3	1/2" Brass Hex Pipe Nipple
5	182568	1	1/2" Brass "Y" Tee
6	182057	2	AD-820 1/2" Check Valve ONLY
7	182530	1	1/2" x 1/2" N.P.T. Hose to Male Pipe
8	182523	1	1/2" x 3/8" Brass Hex Bushing
9	182519	1	3/8" N.P.T. x 1/2" Brass Elbow
10	182058	1	AD-820 3/8" Back Pressure Valve ONLY
11	182377	*	1/2" Nylon Tubing (sold in feet)
12	182579	1	3/8" Brass Hex Pipe Nipple

* As required.



<u>Illus. No.</u>	<u>Part No.</u>	<u>Qty.</u>	<u>Description</u>
1	182531	1	5/8" x 1/2" N.P.T. Hose to Male Pipe
2	300822	1	AD-820 2" Mounting Bracket ONLY
3	150300	2	#10 x 1/2" Hex Washer TEK Screw
4	182053	1	AD-820 1/2" Double Check Valve ONLY
5	182578	2	1/2" Brass Hex Pipe Nipple
6	182054	1	AD-820 1/4" PVC Ball Valve ONLY
7	182564	3	1/2" x 1/2" x 1/4" Brass Tee
8	182475	2	AD-820 2" Dial Pressure Guage (0-160 PSI)
9	182572	2	1/2" PVC Short Nipple
10	182090	1	AD-820 10" Filter Cartridge Housing with Connections ONLY
11	182155	1	AD-820 10 Micron Filter Cartridge ONLY
12	152004	3	#5/16-18 Hex Nut
13	153002	3	5/16" Lock Washer
14	153001	3	5/16" Flat Washer
15	820410	1	AD-820 Small Filter Mounting Bracket ONLY
16	182501	4	#8 x 1/2" Pan Head Rolling Screw
17	153000	4	#8 Steel Burr
18	182532	1	5/8" x 1/2" N.P.T. Hose to Male Elbow
19	182378	*	5/8" x 1/8" Wall Korobraid Tubing (sold in feet)
20	182526	*	7/8" Kwik Clamp
21	152014	2	#1/4-20 Free Spin Wash Nut
22	820347	1	AD-820 Small Filter Component Mounting Plate ONLY

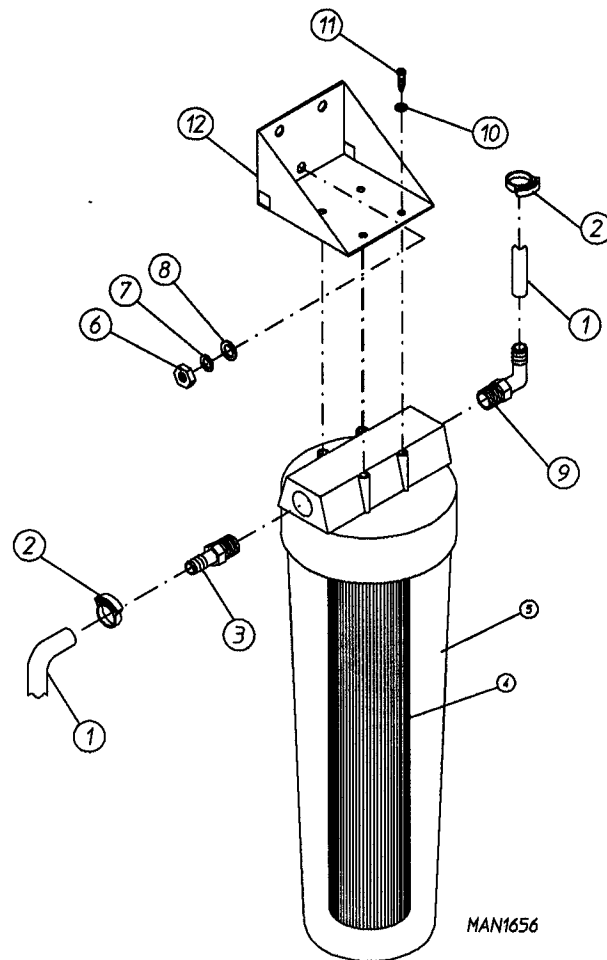
* As required.



<u>Illus. No.</u>	<u>Part No.</u>	<u>Qty.</u>	<u>Description</u>
-------------------	-----------------	-------------	--------------------

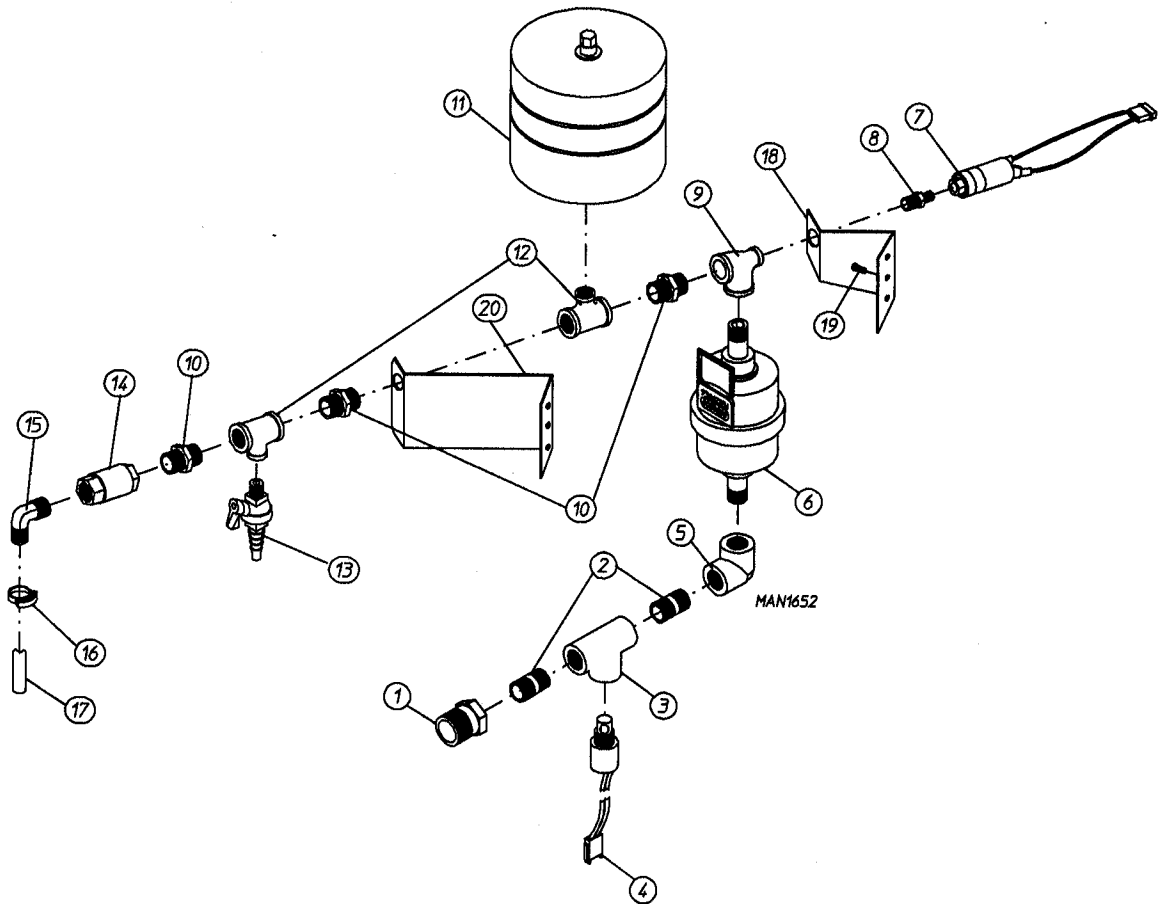
1	182521	2	1" x 1/2" PVC Reducing Bushing
2	182151	1	AD-820 20" Carbon Filter ONLY
3	182091	1	AD-820 20" Blue Filter Cartridge Housing ONLY
4	152004	3	#5/16-18 Hex Nut
5	153002	3	5/16" Lock Washer
6	153001	3	5/16" Flat Washer
7	182557	1	5/8" x 1/2" N.P.T. Nylon Elbow
8	182378	*	5/8" x 1/8" Wall Korobraid Tubing (sold in feet)
9	182526	*	7/8" Kwik Clamp
10	153001	4	5/16" Flat Washer
11	150501	4	#5/16-18 x 3/4" Hex Head Machine Bolt
12	820390	1	AD-820 Large Filter Mounting Bracket ONLY
13	152014	2	#1/4-20 Free Spin Wash Nut
14	820401	1	AD-820 Large Filter Component Mounting Plate ONLY

* As required.



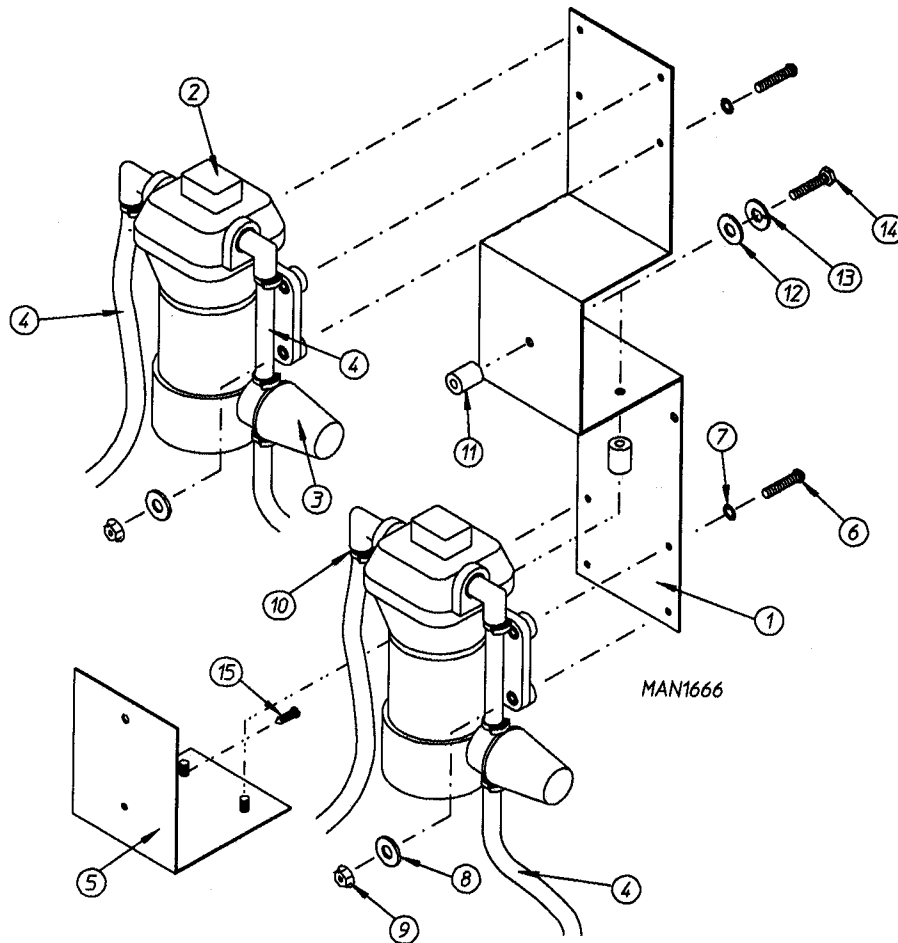
<u>Illus. No.</u>	<u>Part No.</u>	<u>Qty.</u>	<u>Description</u>
1	182375	*	1/2" x 1/8" Wall Korobraid Tubing (sold in feet)
2	182525	*	11/16" Kwik Clamp
3	182591	1	1/2" x 1/2" N.P.T. Nylon Adaptor
4	182153	1	AD-820 2-1/4" x 10" CTO Filter ONLY
5	182090	1	AD-820 10" Filter Cartridge Housing with 1/2" Connections ONLY
6	152004	3	5/16-18 Hex Nut
7	153002	3	5/16" Lock Washer
8	153001	3	5/16" Flat Washer
9	182556	1	1/2" x 1/2" N.P.T. Nylon Elbow
10	153000	4	#8 Steel Burr
11	182501	4	#8 x 1/2" Pan Head Rolling Screw
12	820410	1	AD-820 Small Filter Mounting Bracket ONLY

* As required.



Illus.No.	Part No.	Qty.	Description
1	182521	1	1" x 1/2"PVC Reducing Bushing
2	182572	2	1/2" PVC Short Nipple
3	880974	1	AD-820 Reverse Osmosis (R.O.) Test Cell "T" Assembly
4	820464	1	AD-820 Reverse Osmosis (R.O.) Test Cell ONLY
5	182553	1	1/2" Threaded PVC Elbow
6	182351	1	AD-820 Water Meter ONLY
7	182300	1	AD-820 Low Pressure Switch ONLY
8	182522	1	1/4" x 1/8" Hex Reducing Bushing
9	182569	1	1/2" x 1/4" x 1/2" Brass Tee
10	182578	3	1/2" Brass Hex Pipe Nipple
11	182252	1	AD-820 Pressurized Tank ONLY
12	182564	2	1/2" x 1/2" x 1/4" Brass Tee
13	182054	1	AD-820 1/4" PVC Ball Valve ONLY
14	182057	1	AD-820 1/2" Check Valve ONLY
15	182532	1	5/8" x 1/2" N.P.T. Hose to Male Elbow
16	182526	*	7/8" Kwik Clamp
17	182378	*	5/8" x 1/8" Wall Korobraid Tubing (sold in feet)
18	300971	1	AD-820 Low Pressure Switch Mounting Bracket ONLY
19	150300	6	#10 x 1/2" Hex Washer TEK Screw
20	300970	1	AD-820 7/8" Diameter Mounting Bracket ONLY

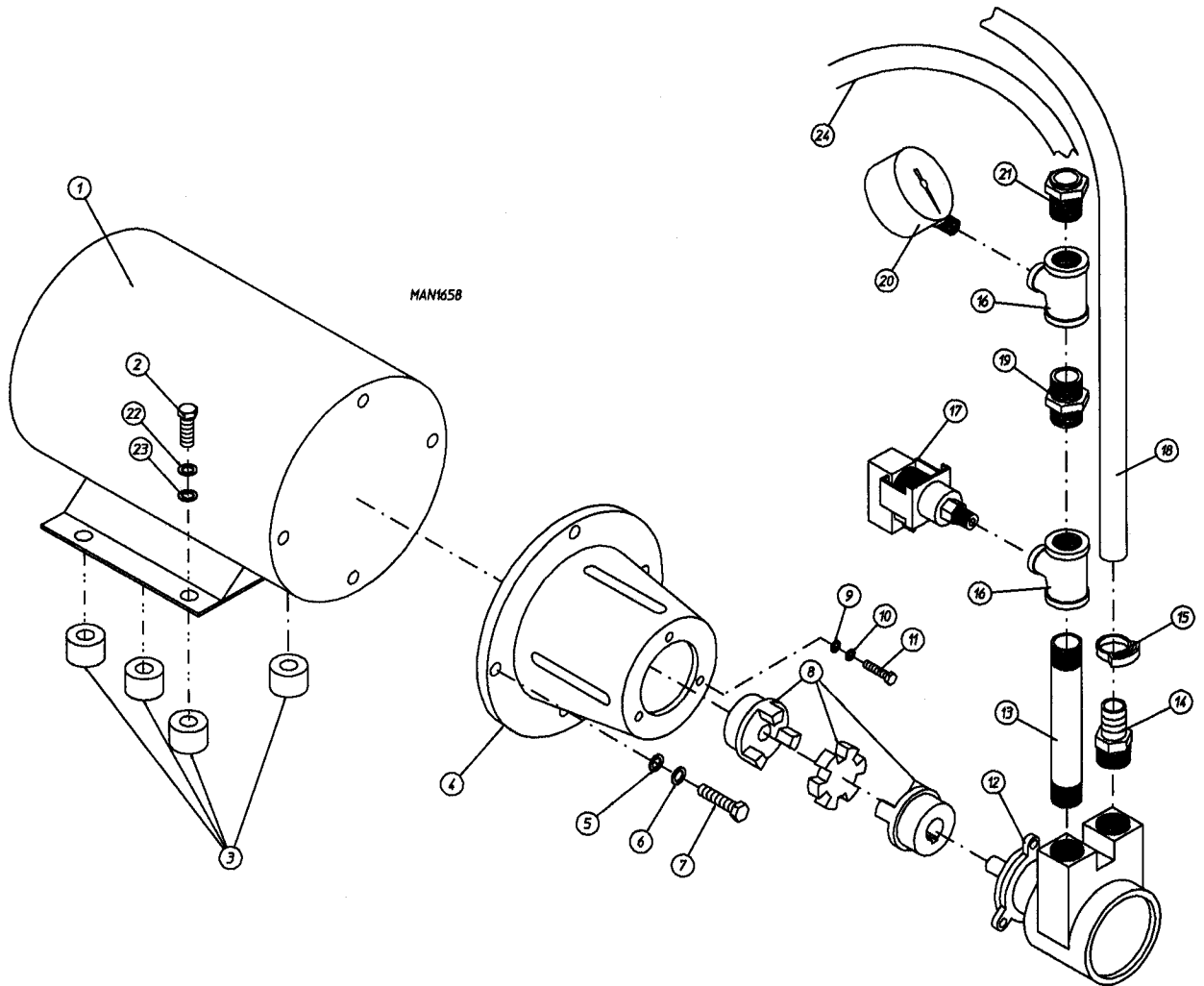
* As required.



Illus.No. Part No. Qty. Description

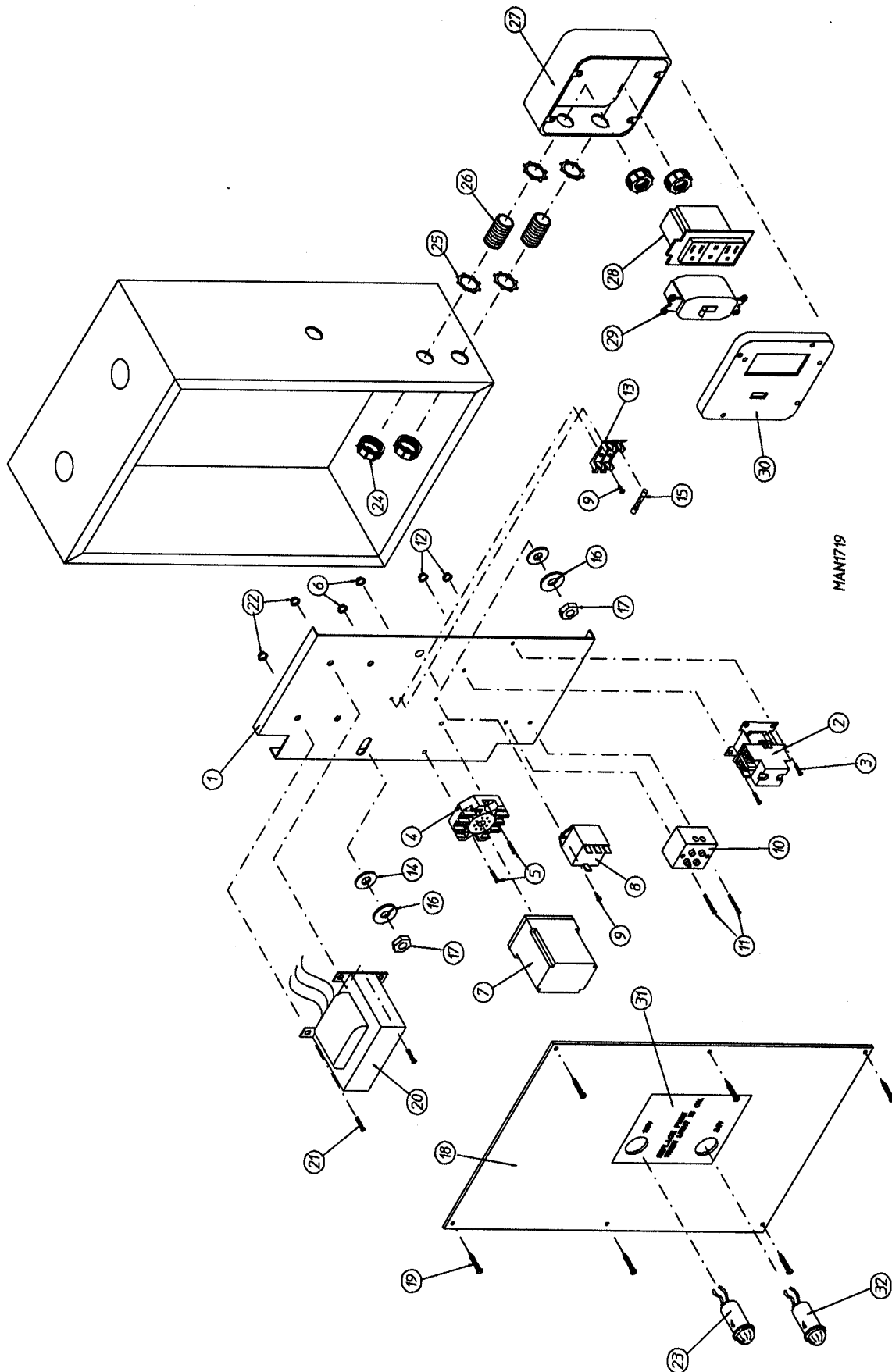
1	300873	1	AD-820 Small Pump Mounting Bracket ONLY
2	182128	2	AD-820 Drain Pump/Dispensing Pump ONLY
3	182130	2	In-Line Striner for Pump
4	182375	*	1/2" x 1/8" Wall Korobraid Tubing (sold in feet)
5	820442	1	AD-820 Small Pump Mount Supprt Assembly ONLY
6	150101	8	8-32 x 1-1/4" Slotted Round Head Machine Screw
7	153012	8	#8 Star Washer
8	182506	8	3/16" x 1/4" Flat Washer
9	151001	8	#8-32 Pal Nut
10	182525	*	11/16" Kwik Clamp
11	182400	3	AD-820 Cylindrical Rubber Stud Bumper ONLY
12	153001	3	5/16" Flat Washer
13	153002	3	5/16" Lock Washer
14	182502	3	5/16-18 x 1/2" Hex Head Machine Bolt
15	150300	1	#10 x 1/2" Hex Washer TEK Screw

* As required.

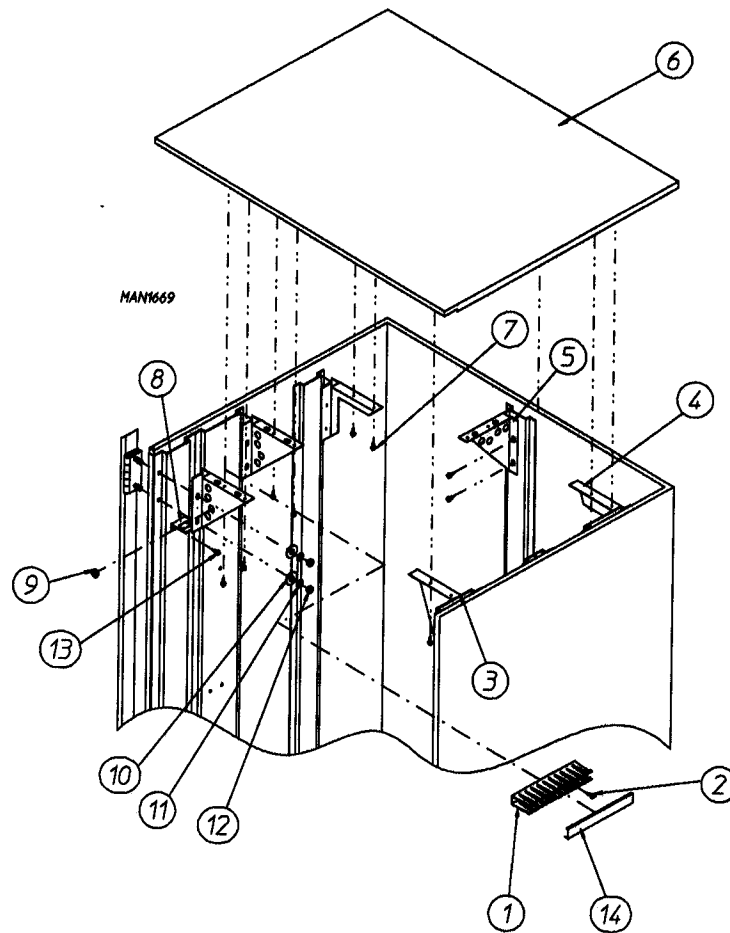


<u>Illus. No.</u>	<u>Part No.</u>	<u>Qty.</u>	<u>Description</u>
1	182100	1	AD-820 3/4 HP 56C Motor ONLY
2	182502	4	5/16-18 x 1/2" Hex Head Machine Bolt
3	182400	4	AD-820 Cylindrical Rubber Stud Bumper
4	182126	1	Pump Adaptor for 56C Frame
5	153004	4	3/8" Flat Washer
6	153005	4	3/8" Lock Washer
7	150617	4	3/8-16 x 1" Hex Head Bolt
8	182127	1	5/8" Pump Coupling
9	153018	4	1/4" Flat Washer
10	153007	4	1/4" Lock Washer
11	150510	4	1/4-20 x 3/4" Hex Head Machine Bolt
12	182125	1	AD-820 Pump ONLY
13	182577	1	1/2" x 5" Brass Nipple
14	182531	1	5/8" x 1/2" Hose to Male Pipe
15	182526	*	7/8" Kwik Clamp
16	182564	2	1/2" x 1/2" x 1/4" Brass Tee
17	182301	1	AD-820 High Pressure Switch ONLY
18	182378	*	5/8" PVC Reinforced Tubing (sold in feet)
19	182578	1	1/2" Brass Hex Pipe Nipple
20	182476	1	AD-820 2" Dial Pressure Guage (0-300 PSI)
21	182520	1	1/2" N.P.T. x 1/2" Brass Push-In
22	153002	4	5/16" Lock Washer
23	153001	4	5/16" Flat Washer
24	182377	*	1/2" Nylon Tubing (sold in feet)

* As required.



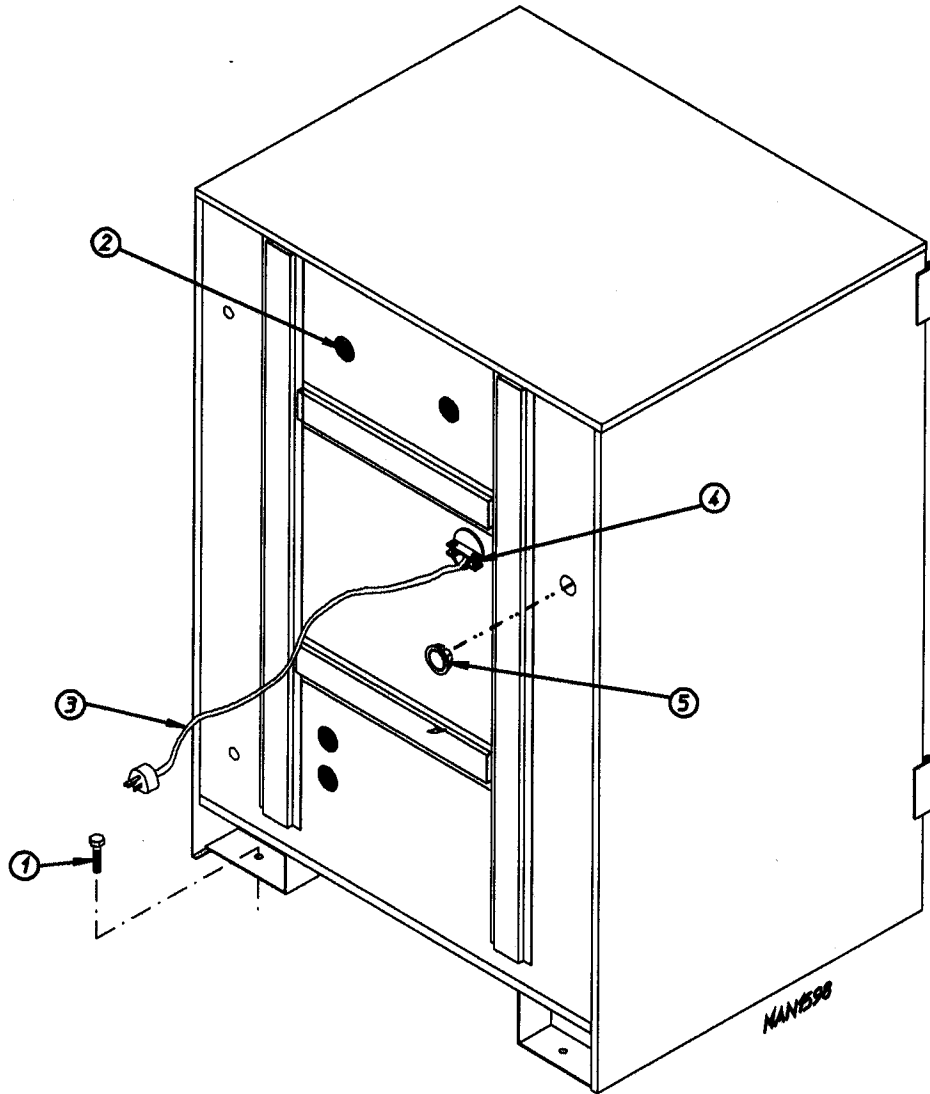
<u>Illus. No.</u>	<u>Part No.</u>	<u>Qty.</u>	<u>Description</u>
1	322816	1	AD-820 Rear Power Mounting Panel ONLY
2	132451	1	AD-820 Double Pole 24 VAC Contactor
3	150100	4	#8-32 x 1/2" Phillips Round Head Machine Screw
4	182361	1	AD-820 8-Pin Octal Type Socket Base ONLY
5	150103	4	#8-32 x 3/4" Phillips Round Head Machine Screw
6	151001	7	#8-32 Pal Nut
7	182360	1	AD-820 30-Second On-Delay Timer - 24 Volt AC/DC
8	131932	1	Single-Pole-Single-Throw (SPST) Relay - 24 VAC
9	150301	4	#8-18 x 7/16" Phillips Pan Head TEK Screw
10	120716	1	2-Enclosed Terminal Block
11	150009	2	#6-32 Slotted Round Head Machine Screw
12	151000	2	#6-32 Pal Nut
13	136008	2	Fuse Block Strip ONLY
14	153001	2	#5/16" Flat Washer
15	182453	2	6-Amp Fuse ONLY
16	153002	2	#5/16" Lock Washer
17	152004	2	#5-16-18 Hex Nut
18	300945	1	AD-820 Rear Panel Cover
19	150300	6	#10 x 1/2" Hex Washer TEK Screw
20	820493	1	AD-820 24 VAC Transformer ONLY
21	150100	4	#8-32 x 1/2" Phillips Round Head Machine Screw
22	151001	4	#8-32 Pal Nut
23	123000	1	110 Volt Red Pilot Light
24	120624	4	1/2" Plastic Chafe Bushing
25	120915	4	1/2" N.P.T. Locknut
26	182574	2	1/2" Close Conduit Nipple
27	182459	1	4" x 4" Junction Box ONLY
28	182450	1	AD-820 Ground Fault Interrupter Receptacle
29	182466	1	On - Off Switch ONLY
30	182467	1	4" x 4" Junction Box Cover ONLY
31	182006	1	AD-820 Indicator Lamp Label ONLY (refer to AD-820 Electrical Labels Sheet on <u>page 35</u>)
32	123005	1	Red Pilot Light - 24 VAC



Illus. No.	Part No.	Qty.	Description
------------	----------	------	-------------

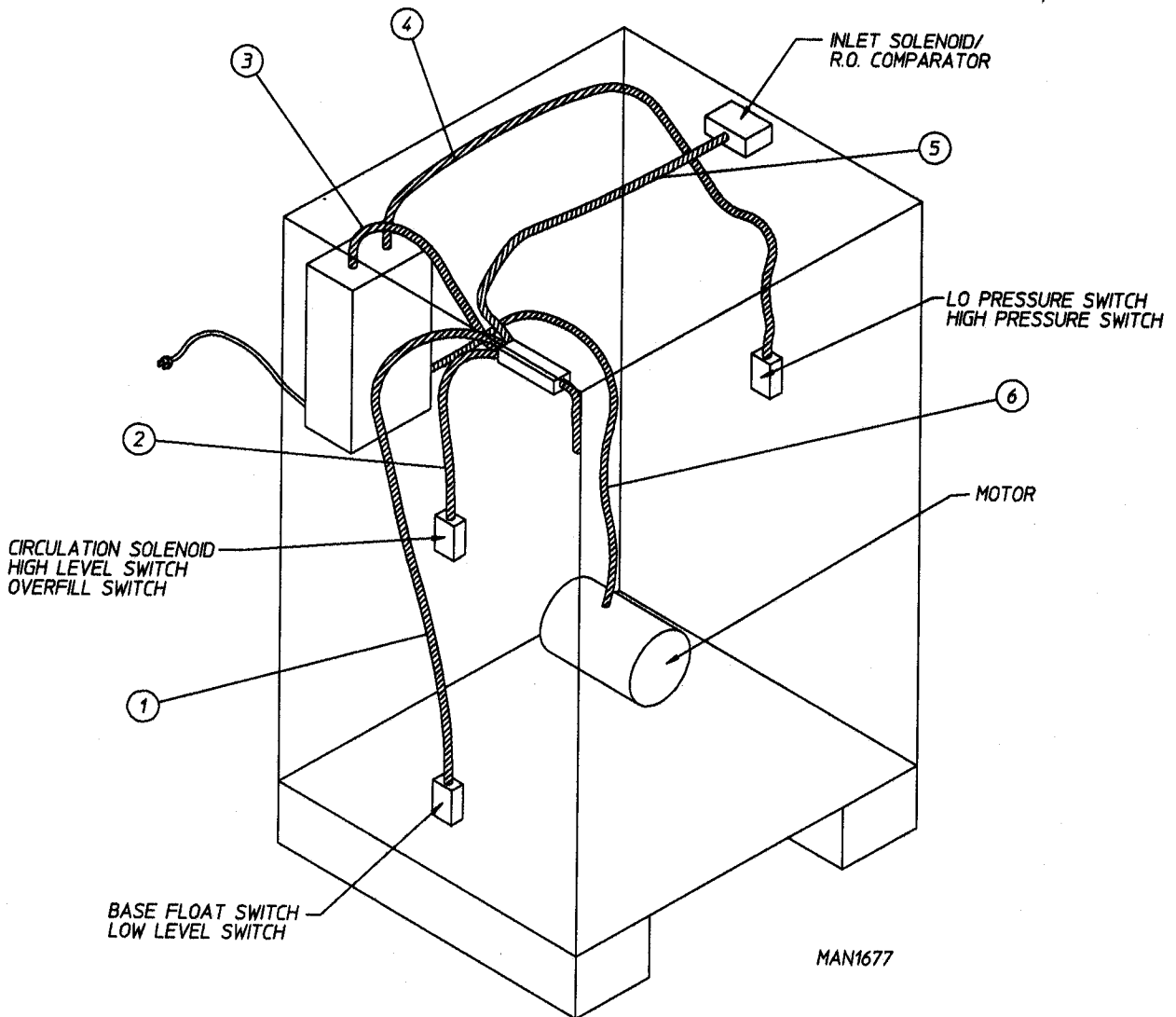
1	121427	*	3 x 3" Wiring Duct (sold by the inch)
2	150300	2	#10 x 1/2" Hex Washer TEK Screw
3	300982	2	AD-820 Triangular Cabinet Gusset
4	300908	2	AD-820 L-Shaped Cabinet Gusset
5	300981	3	AD-820 Large Cabinet Gusset
6	820395	1	AD-820 Outer Top Assembly ONLY
7	150300	*	#10 x 1/2" Hex Washer TEK Screw
8	304033	1	AD-820 Mounting Bracket ONLY
9	121400	1	Universal Bushing
10	153004	4	3/8" Flat Washer
11	153005	4	3/8" Lock Washer
12	152005	4	#3/8-16 Hex Nut
13	150300	*	#10 x 1/2" Hex Washer TEK Screw
14	121428	*	3" Wireway Cover (sold by the inch)

* As required.



Illus. No. Part No. Qty. Description

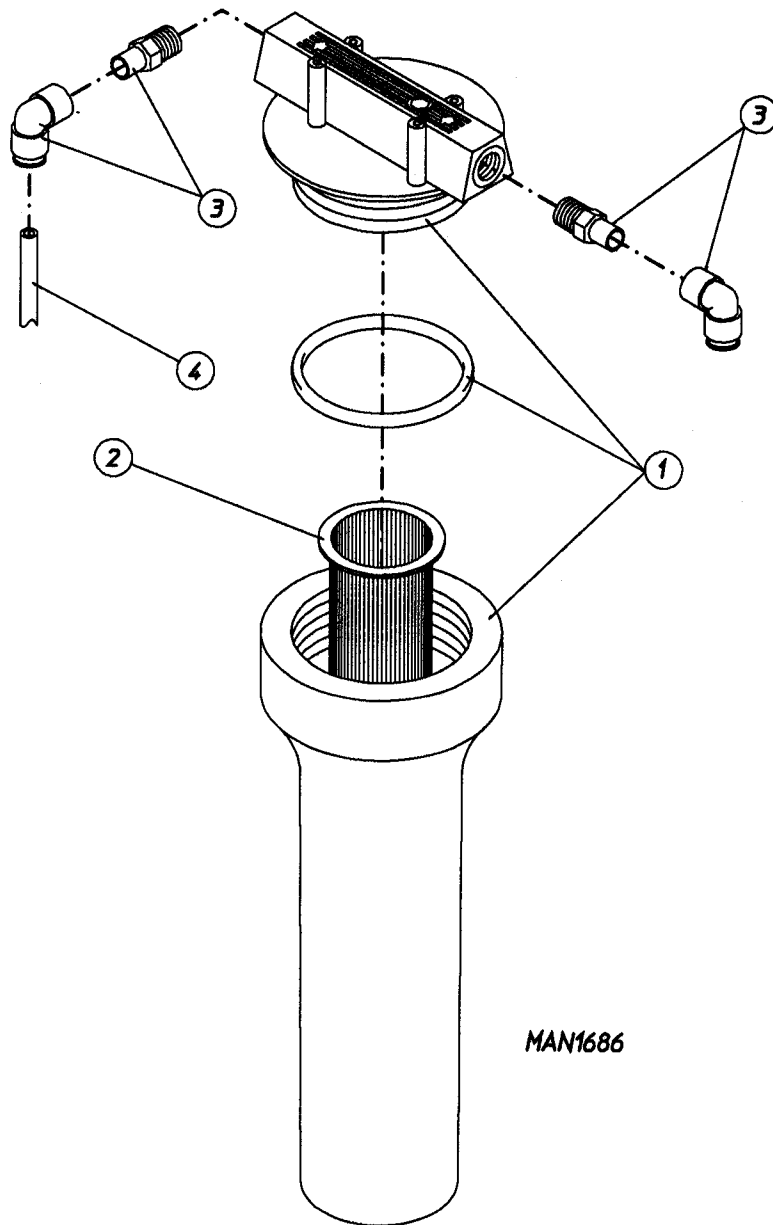
1	103500	4	Leveling Leg
2	182402	4	AD-820 2" Mini Louvre ONLY
3	820458	1	AD-820 Power Cord Assembly (includes illus. no. 3 and 4)
4	120102	1	3/8" STR 1/2" Connector
5	118000	1	1/2" Knockout Seal ONLY



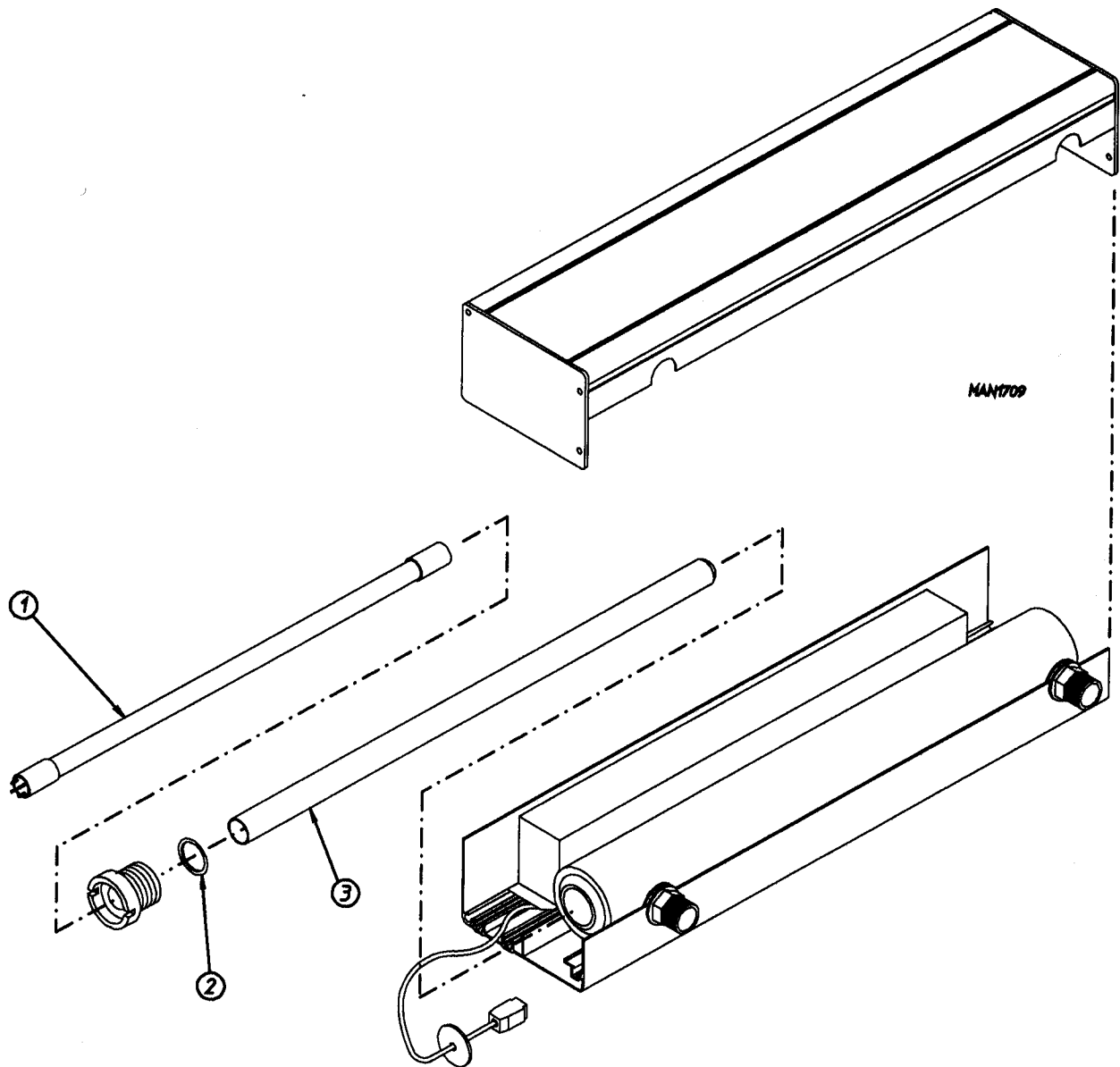
Illus. No. Part No. Qty. Description

1	820453	1	AD-820 Low Level and Base Float Switch Harness ONLY
2	820454	1	AD-820 Circulation Solenoid/Level/Overfill Switch Harness ONLY
3	820455	1	AD-820 Main Power/Rear Electrical Box/ Front Junction Box Harness ONLY
4	820457	1	AD-820 Hi Pressure/Low Pressure Switch/Water Pump Harness ONLY
5	820456	1	AD-820 Inlet Water Solenoid/R.O. Comparator Harness ONLY
6	820462	1	AD-820 3/4 HP Motor Harness ONLY

NOTE: For electrical labels on individual junction boxes, refer to AD-820 Electrical Labels Sheet on page 35.



Illus. No.	Part No.	Qty.	Description
1	880902	1	AD-820 Membrane Cleaning Start-Up Kit Complete (includes illus. nos. 1 through 4)
	182242	1	AD-820 20" Filter Cartridge Housing ONLY
2	182240	1	AD-820 Acid Cleaning Filter Cartridge ONLY
	182241	1	AD-820 Alkaline Cleaning Filter Cartridge ONLY
3	182584	2	1/2" x 1/2" N.P.T. Elbow Connector
4	182376	6 ft	.295 x 3/8" x .04 Nylon Tubing



Illus. No.	Part No.	Qty.	Description
------------	----------	------	-------------

1	182201	1	AD-820 Replacement Ultraviolet (U.V.) Light
2	182203	1	O-Ring for Quartz Sleeve
3	182202	1	Quartz Sleeve (for U.V. lamp)

NOTE: For complete AD-820 Ultraviolet Light (U.V.) Assembly refer to **page 9**.

25¢

10¢

A	B
C	D
E	•
•	•
•	•
•	•
•	•
•	•
•	•
•	•

1/2" N.P.T.

THIS MACHINE IS INTENDED FOR CONNECTION TO INSPECTED, APPROVED WATER SYSTEMS ONLY. SOURCE MUST BE MICROBIOLOGICALLY SAFE DRINKING WATER.

1/2" N.P.T.

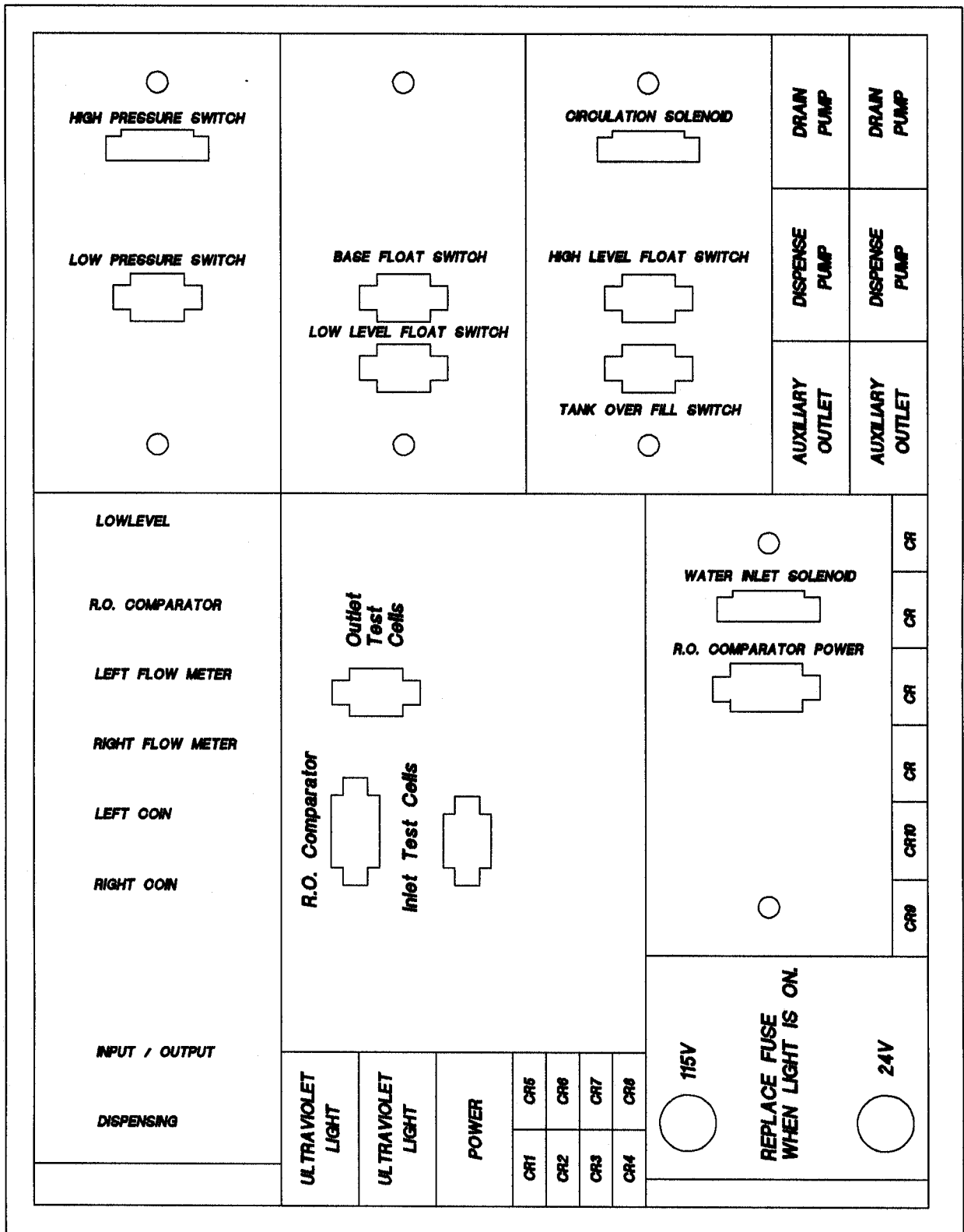
FOLLOW APPLICABLE CODES WHEN CONNECTING THE DRAIN PIPE. AT THE POINT OF DISCHARGE, A MINIMUM AIR GAP OF 2 INCHES IS REQUIRED.

HEAVY

HEAVY

American Dispensing Co.
88 Currant Road
Fall River, MA 02720-4781
PHONE: (508) 678-9000
FAX: (508) 678-9447

ADC Part No. 182005 AD-820 Water-U-Want Labels Sheet



ADC Part No. 182006 AD-820 Electrical Labels Sheet

Phase II
ADC 482051 1-12/14/94-100

