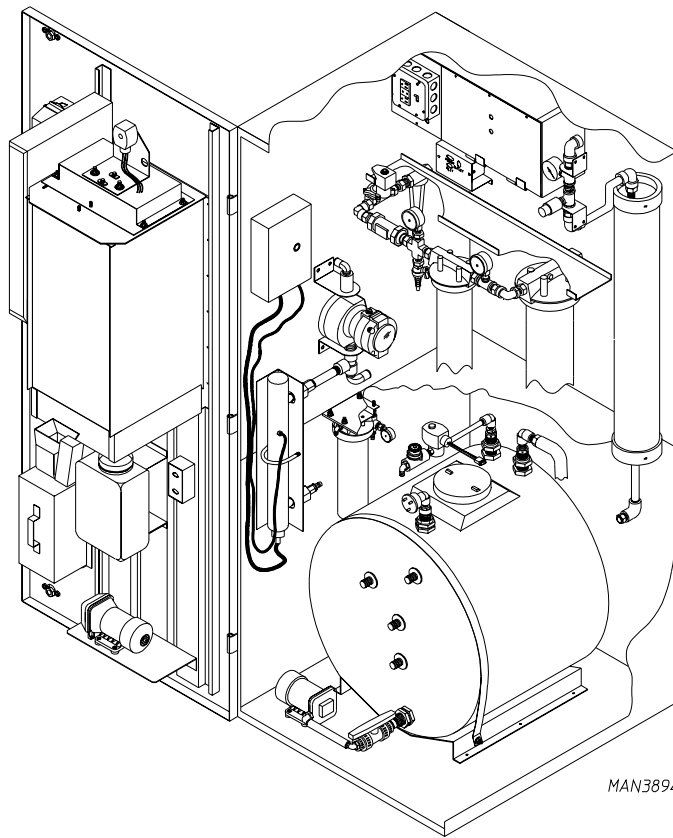




AD-840



Parts Manual
1997/1998

American Dryer Corporation
88 Currant Road
Fall River, MA 02720-4781
Telephone: (508) 678-9000 / Fax: (508) 678-9447
E-mail: techsupport@amdry.com

Retain This Manual In A Safe Place For Future Reference

American Dryer Corporation products embody advanced concepts in engineering, design, and safety. If this product is properly maintained, it will provide many years of safe, efficient, and trouble-free operation.

ONLY properly licensed technicians should service this equipment.

OBSERVE ALL SAFETY PRECAUTIONS displayed on the equipment or specified in the installation/operator's manual included with the dryer.

WARNING: UNDER NO CIRCUMSTANCES should the door switch or the heat circuit devices ever be disabled.

WARNING: The dryer *must never* be operated with any of the back guards, outer tops, or service panels removed. PERSONAL INJURY or FIRE COULD RESULT.

We have tried to make this manual as complete as possible and hope you will find it useful. ADC reserves the right to make changes from time to time, without notice or obligation, in prices, specifications, colors, and material, and to change or discontinue models.

Important

For your convenience, log the following information:

DATE OF PURCHASE _____ MODEL NO. **AD-840** _____

DISTRIBUTORS NAME _____

Serial Number(s) _____

Replacement parts can be obtained from your reseller or the ADC factory. When ordering replacement parts from the factory, you can FAX your order to ADC at (508) 678-9447 or telephone your orders directly to the ADC Parts Department at (508) 678-9000. Please specify the dryer **model number** and **serial number** in addition to the **description** and **part number**, so that your order is processed accurately and promptly.

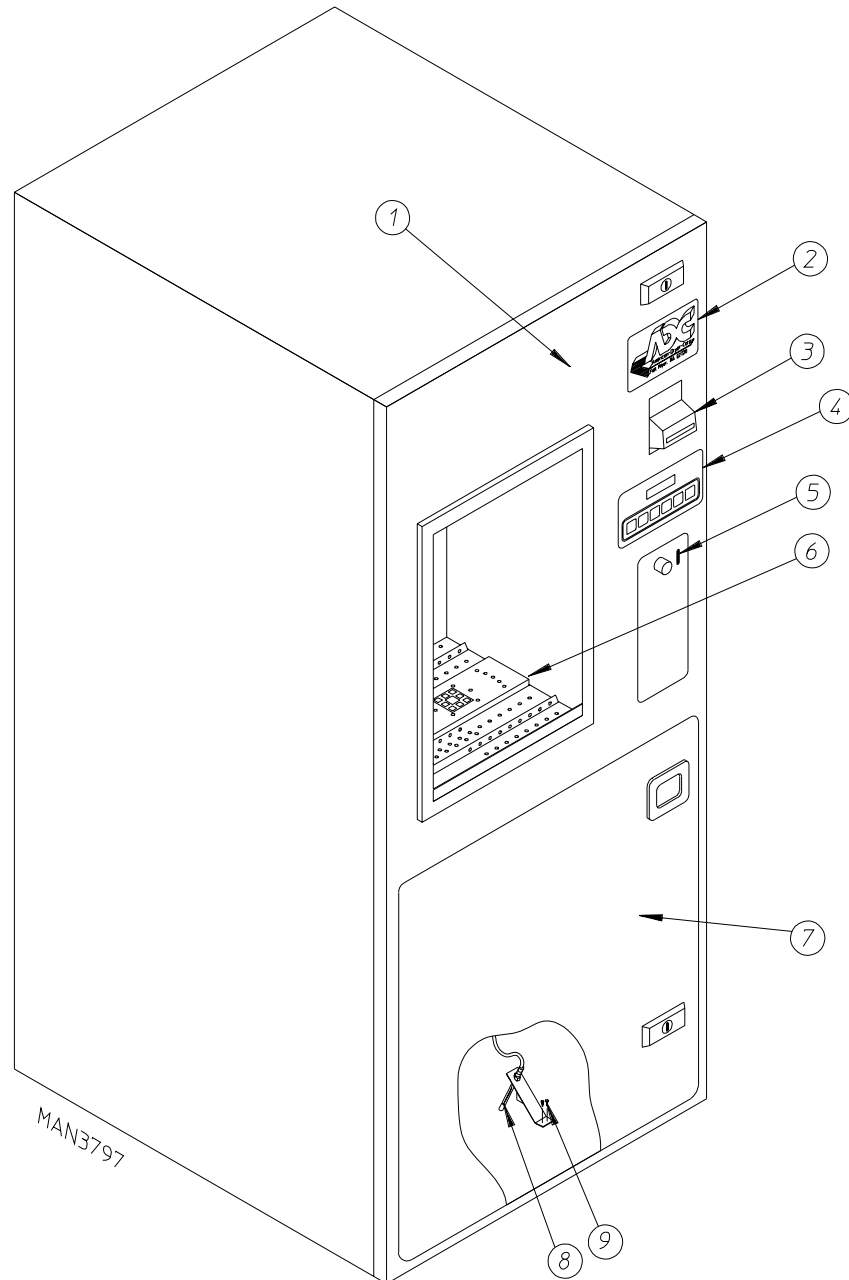
The illustrations on the following pages may not depict your particular dryer exactly. The illustrations are a composite of the various dryer models. Be sure to check the descriptions of the parts thoroughly before ordering.

“IMPORTANT NOTE TO PURCHASER”

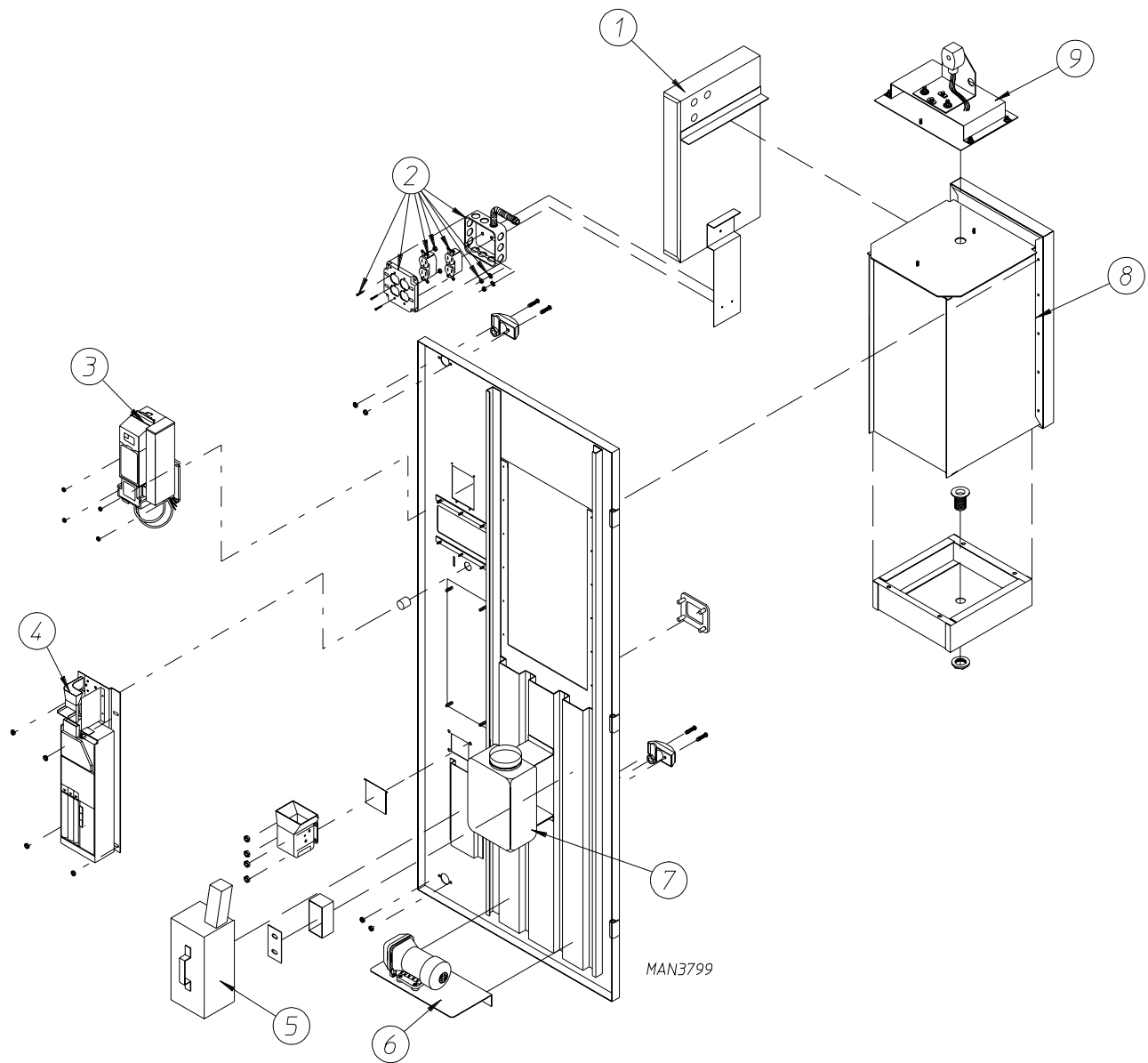
Information must be obtained from your local gas supplier on the instructions to be followed if the user smells gas. These instructions must be posted in a prominent location near the dryer.

Table of Contents

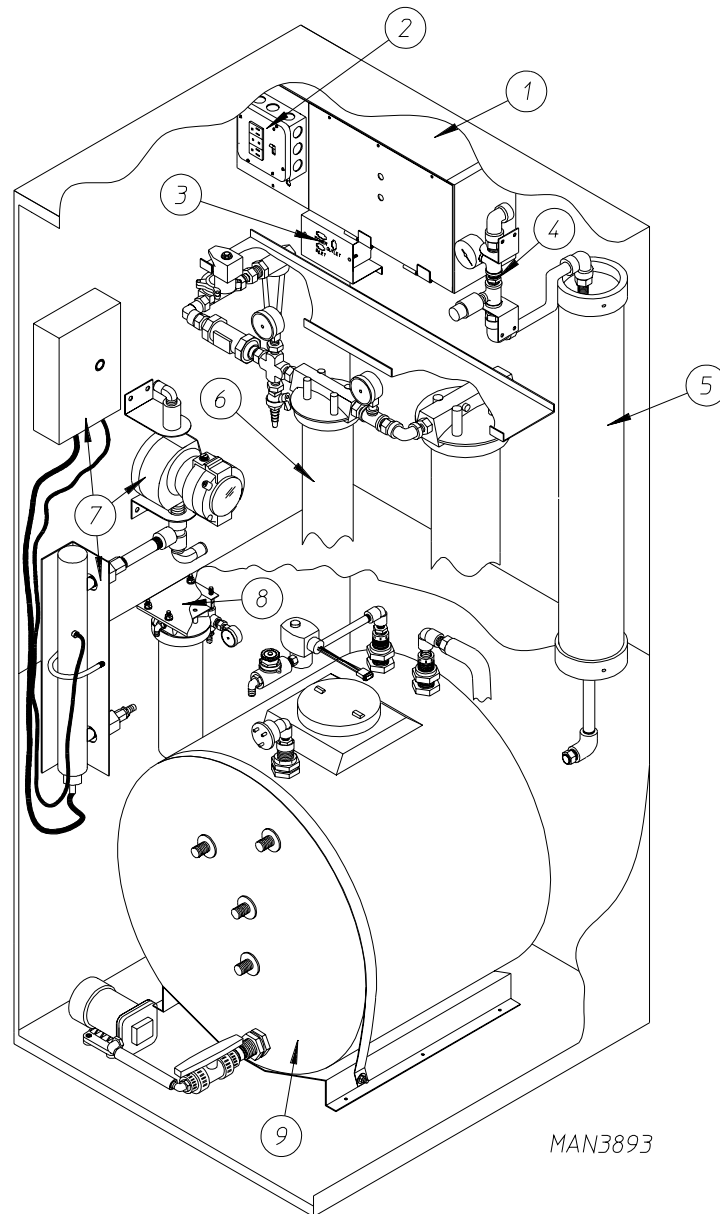
Cabinet Assembly	2, 3, 4
Computer Box Assembly	5
Main Door Assembly Coin	6
Main Door Assembly Coin and Bill	7
Ultraviolet (U.V.) and Dispenser Meter Assembly	8, 9
Inlet Piping Assembly	10, 11
Polishing Filter Assembly	12
Coin Box Assembly	13
Dispensing Bay Assembly	14
Dispensing Solenoid Assembly	15
Water Tank Assembly	16, 17
Reverse Osmosis (R.O) Housing Assembly	18, 19
Drain Plumbing	20
Drain Tank Assembly	21
Drain Pump Assembly	22
Pump Assembly	23
Electric Box Weldment Assembly	24
Reverse Osmosis (R.O.) Comparator Box Assembly	25
Dispense, Drain, and Ultraviolet (UV) Outlet Junction Box Assembly	26
Ground Fault Interrupter (G.F.I.) and Junction Box Assembly	27
High Pressure Switch Piping	28



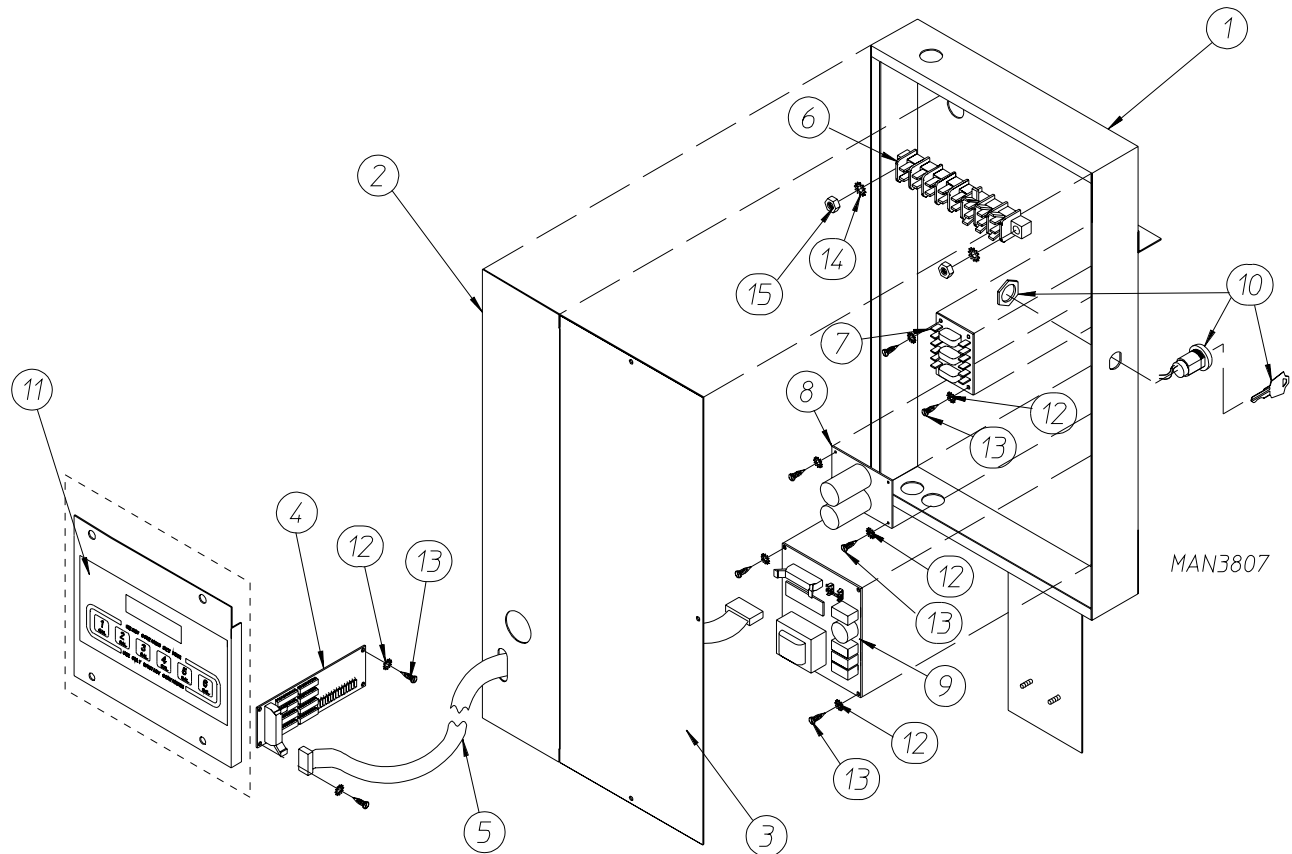
<u>Illus. No.</u>	<u>Part No.</u>	<u>Qty.</u>	<u>Description</u>
1	833098	1	Main Door Assembly Complete (refer to pages 6)
2	182019	1	American Dispensing ™ Label
3	182820	1	Bill Validator (refer to page 7)
	182804	1	Coin Acceptor (refer to page 7)
4	833096	1	Computer Box (refer to page 5)
5	881415	1	Coin and Installation Label Kit
6	833069	1	Dispensing Bay Assembly Complete (refer to page 14)
7	881416		AD-840 Picture Label Kit
8	300885	1	Base Float Switch Mount
	830862	1	Base Overfill Switch
	833053	1	Base Float Switch Assembly Complete
9	150300	2	#10 x 1/2" Hex Washer TEK Screw



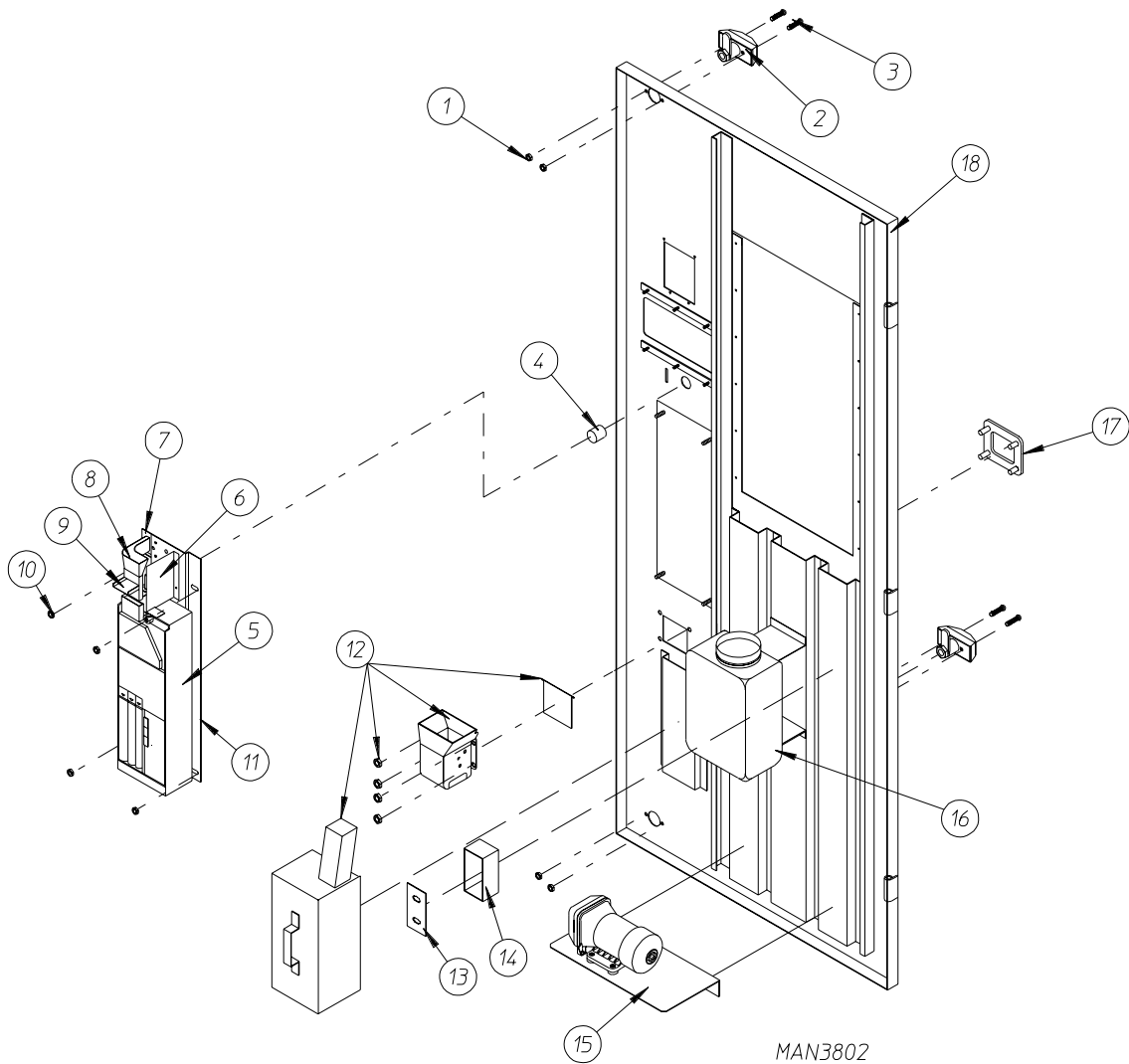
<u>Illus. No.</u>	<u>Part No.</u>	<u>Qty.</u>	<u>Description</u>
1	883097	1	AD-840 Computer Box Assembly (includes illus. nos. 1 through 3) (refer to page 5)
2	833140	1	Dispense, Drain, and Ultraviolet (UV) Outlet J-Box Assembly (refer to page 26)
3	182820	1	Bill Validator Assembly (refer to page 7)
4	182804	1	Coin Acceptor Assembly (refer to page 6 or 7)
5	182810	1	Coin Box Only (refer to page 13)
6	182128	1	Drain Pump Only (refer to page 20)
7	182255	1	Drain Reservoir Tank (refer to page 19)
8	833069	1	Dispensing Bay Assembly Complete (refer to page 14)
9	833095	1	Dispensing Solenoid Assembly Complete (refer to page 15)



<u>Illus. No.</u>	<u>Part No.</u>	<u>Qty.</u>	<u>Description</u>
1	833103	1	Electric Box Weldment Assembly (refer to page 24)
2	833144	1	Rear Ground Fault Interrupter (G.F.I.) and J-Box Assembly (refer to page 27)
3	820440	1	Reverse Osmosis (R.O.) Comparator Box Assembly (refer to page 25)
4	830884	1	High Pressure Switch (refer to page 28)
5	833106	1	Reverse Osmosis (R.O.) Housing Assembly (includes illus. nos. 1 through 21) (refer to page 18)
6	833104	1	Inlet Piping Assembly (includes illus. nos. 1 through 30) (refer to pages 10 and 11)
7	833111	1	UV and Dispenser Meter Assembly (includes illus. nos. 1 and 3 through 14) (refer to pages 8 and 9)
8	833109	1	Polishing Filter Assembly (refer to page 12)
9	833107	1	Water Tank Assembly (refer to page 16)

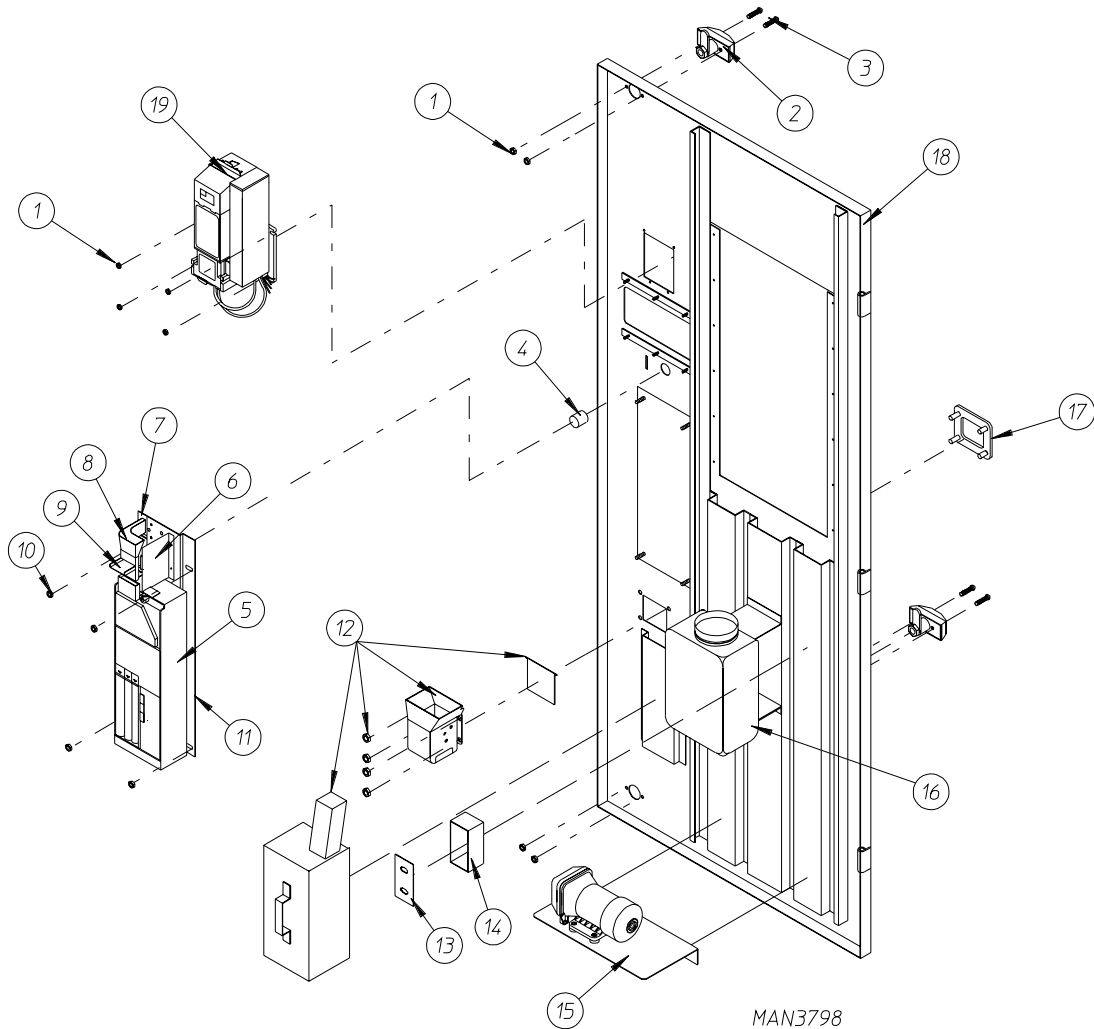


<u>Illus. No.</u>	<u>Part No.</u>	<u>Qty.</u>	<u>Description</u>
1	833096	1	AD-840 Computer Box Weldment
2	300483	1	AD-840 Computer Box Ribbon Bkt.
3	300485	1	AD-840 Computer Box Cover
4	182010	1	Display Board
5	182012	1	Ribbon Connector
6	120709	1	8-Terminal Closed Block
7	137060	1	Arch Suppressor Board
8	182020	1	Coin Changer Power Converter
9	182025	1	AD-840 Microprocessor Board
10	820496	1	Program Switch Lock and Key Assembly
11	182017	1	Single Bay Keypad
12	153010	8	#6 Star Washer
13	150005	8	#6-32 x 1/4" Phillips Round Head Machine Screw
14	153012	2	#8 Star Washer
15	152001	2	#8-32 Hex Nut

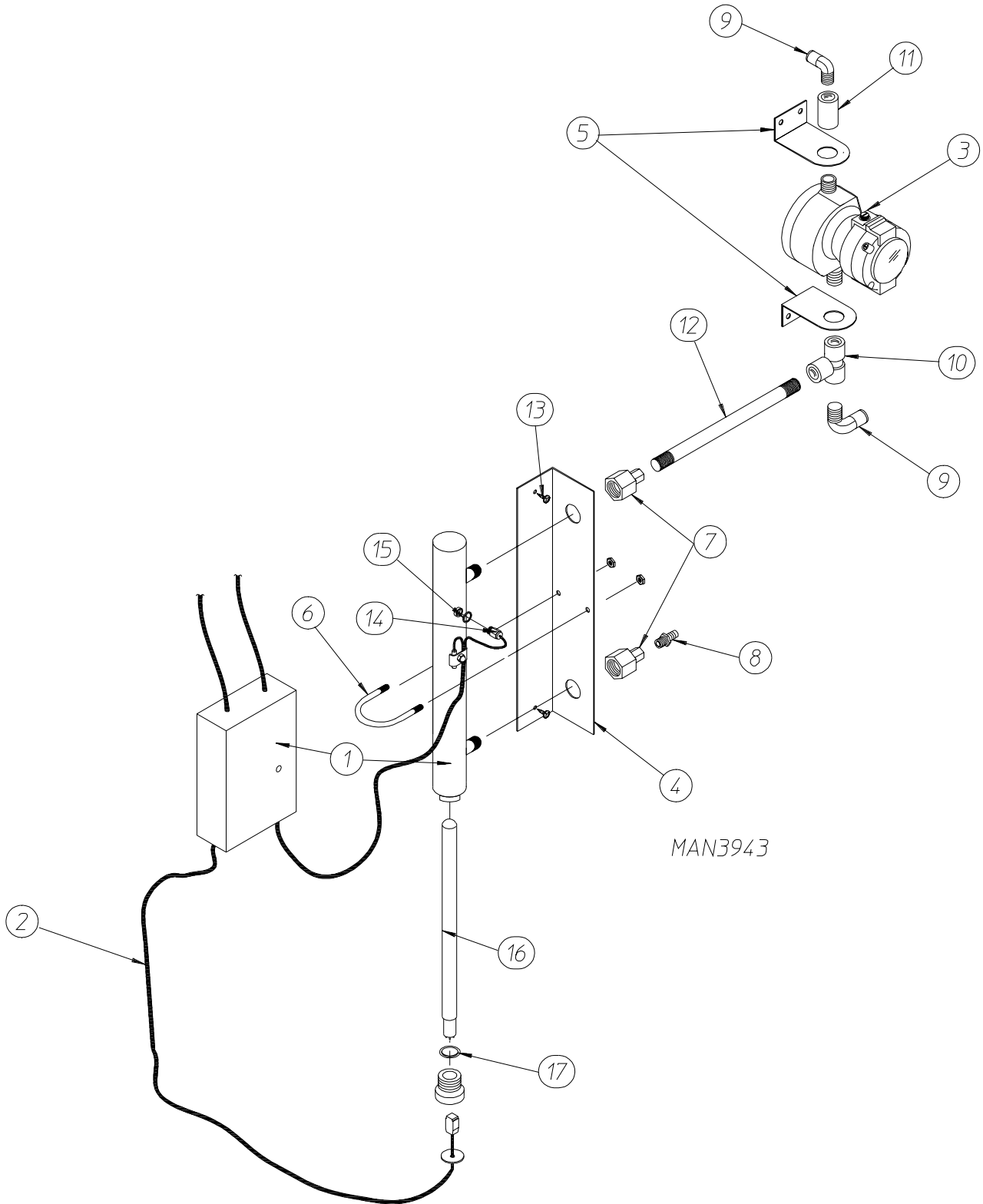


MAN3802

<u>Illus. No.</u>	<u>Part No.</u>	<u>Qty.</u>	<u>Description</u>
1	152001	2	#8-32 Hex Nut
2	182624	2	Main Door Locks
3	150108	4	#8-32 x 1/2" Phillips Pan Head TEK Screw
4	182806	1	Coin Return Button
5	182804	1	U.S. Coin Changer
6	182809	1	Coin Return Assembly
7	182807	1	Coin Chute Bracket
8	182800	1	Upper Coin Chute
9	182808	1	Lower Coin Chute
10	152002	4	1/4-20 Hex Nut
11	833052	1	Coin Changer Bracket Weldment
12	-----	1	Coin Box Assembly (refer to page 13)
13	-----	1	J-Box Plate (refer to page 19)
14	-----	1	2" x 2" x 4" J-Box (refer to page 19)
15	-----	1	Drain Pump Assembly (refer to page 20)
16	-----	1	Drain Tank Assembly (refer to page 19)
17	182801	1	Coin Return Chute Trim
18	833093	1	Main Door Only

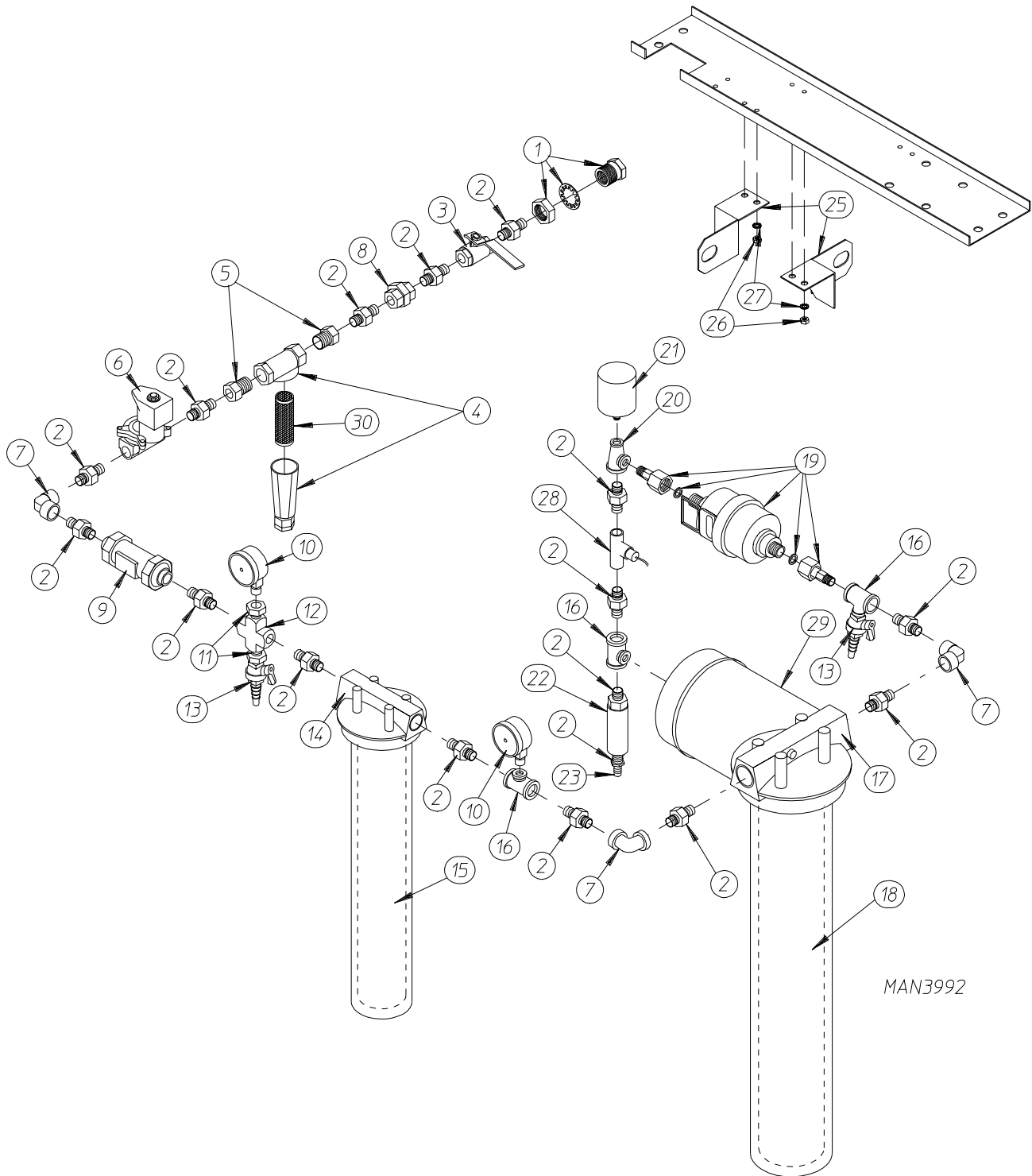


<u>Illus. No.</u>	<u>Part No.</u>	<u>Qty.</u>	<u>Description</u>
1	152001	8	#8-32 Hex Nut
2	182624	2	Main Door Locks
3	150108	4	#8-32 x 1/2" Phillips Pan Head TEK Screw
4	182806	1	Coin Return Button
5	182804	1	U.S. Coin Changer
6	182809	1	Coin Return Assembly
7	182807	1	Coin Chute Bracket
8	182800	1	Upper Coin Chute
9	182808	1	Lower Coin Chute
10	152002	4	1/4-20 Hex Nut
11	833052	1	Coin Changer Bracket Weldment
12	-----	1	Coin Box Assembly (refer to page 13)
13	-----	1	J-Box Plate (refer to page 19)
14	-----	1	2" x 2" x 4" J-Box (refer to page 19)
15	-----	1	Drain Pump Assembly (refer to page 20)
16	-----	1	Drain Tank Assembly (refer to page 19)
17	182801	1	Coin Return Chute Trim
18	833093	1	Main Door Only
19	182820	1	Dollar Bill Validator



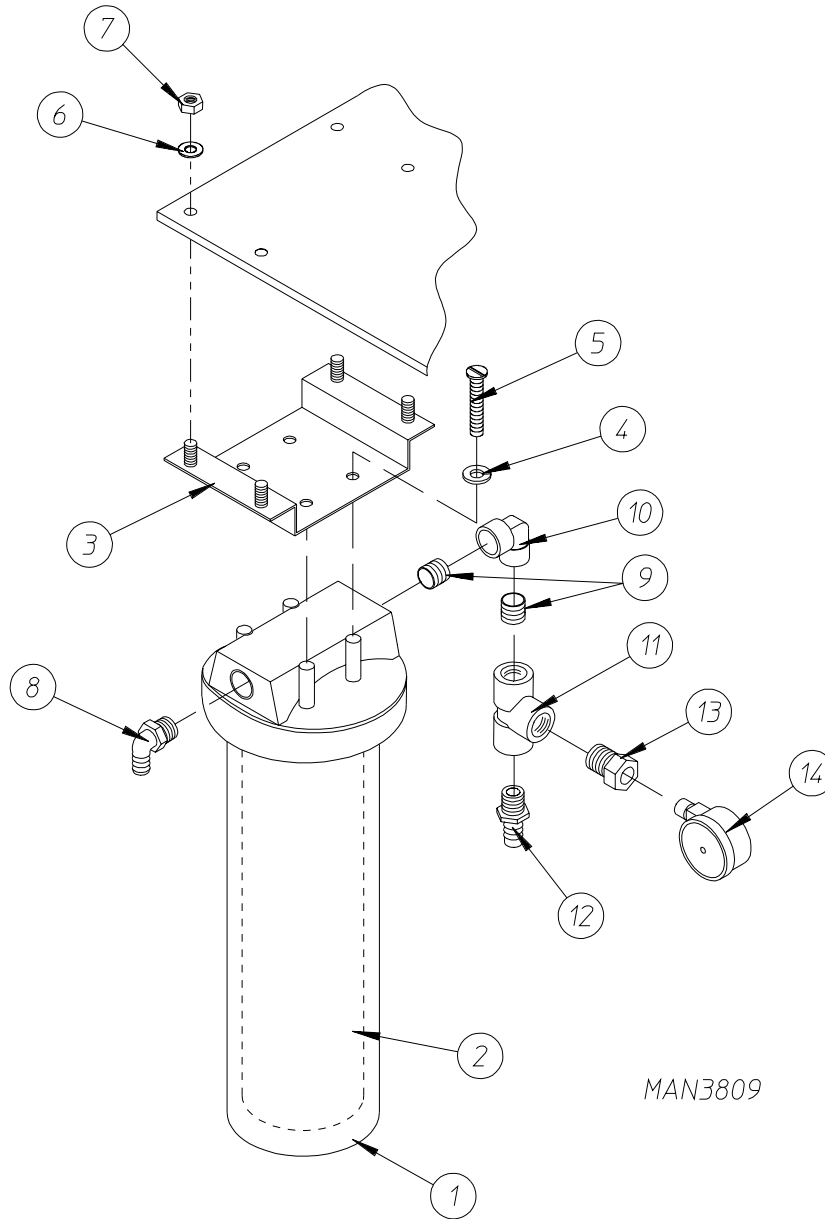
MAN3943

<u>Illus. No.</u>	<u>Part No.</u>	<u>Qty.</u>	<u>Description</u>
1	182215	1	Advantage U.V.
2	833149	1	Remote Option Cord
3	830868	1	Dispensing Meter
4	300450	1	U.V. Bracket
5	318700	2	Pipe Bracket
6	154352	1	5/16-18 x 2 U-Bolt
7	182535	2	3/4 x 1/2 Reducing Bushing
8	182591	1	1/2 x 1/2 NPT Nylon Coupling
9	182556	2	1/2 x 1/2 NPT Nylon Elbow
10	182560	1	1/2 PVC Tee
11	182533	1	1/2 Threaded Coupling
12	182554	1	1/2 X 9" Nipple
13	150300	2	10-16 x 1/2" Hex Washer TEK pltd
14	182218	1	Sensor Probe with O-Ring
15	182211	1	O-Ring for Sensor Probe
16	182206	1	U.V. Light with O-Ring
17	182207	1	O-Ring for U.V. Light



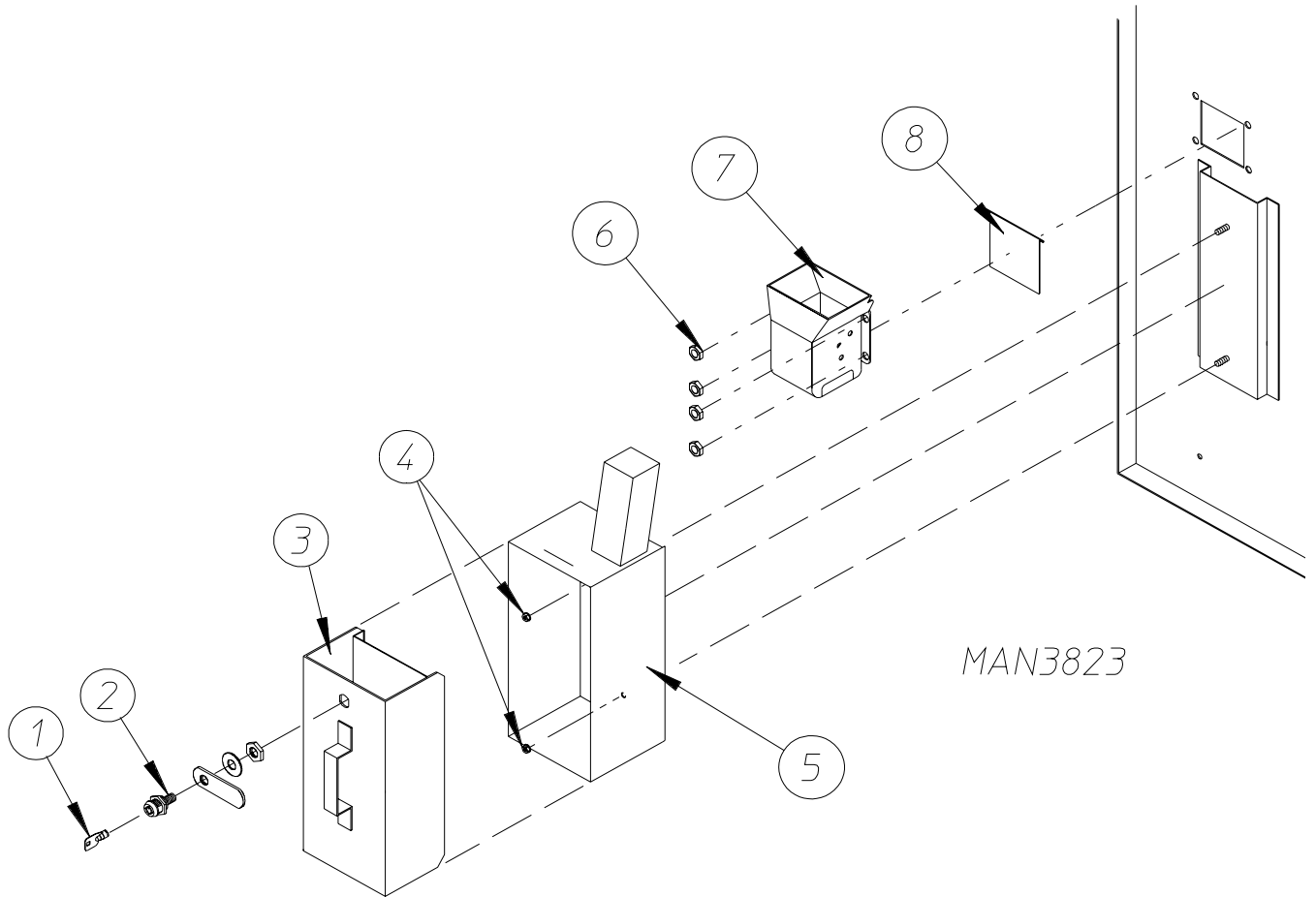
MAN3992

<u>Illus. No.</u>	<u>Part No.</u>	<u>Qty.</u>	<u>Description</u>
1	182595	1	1/2" Brass Bulkhead Adapter
2	182578	17	1/2" Brass Hex Pipe Nipple
3	182052	1	Bronze Ball Valve
4	182385	1	3/4" T-Line Strainer
5	182534	2	3/4" x 1/2" Hex Reducer
6	820472	1	Water Inlet Valve Assembly
7	182599	3	1/2" x 90 Degree Brass Elbow
8	182600	1	1/2" Brass Union
9	182053	1	1/2" Double Check Valve
10	182475	2	Pressure Gauge (0 to 100 PSI) 2" Dial
11	182598	2	1/4" x 1/2" Hex Bushing
12	182601	1	1/2" Brass Cross
13	182054	2	1/4" PVC Ball Valve
14	182097	1	20" Filter Housing 1/2" Conn.
15	182096	1	Polyfine 10 Micron 20" Filter
16	182564	3	1/2" x 1/2" x 1/4" Brass Tee
17	182091	1	20" Blue Housing
18	182151	1	Matrix 4" x 20" Carbon Filter
19	182351	1	Water Meter
20	182569	1	1/2" x 1/4" x 1/2" Brass Tee
21	830885	1	Low Pressure Switch Assembly
22	182057	1	1/2" Check Valve
23	182531	1	5/8" ID x 1/2" NPT Hose To Male Pipe
24	833079	1	Component Hanger Assembly
25	300456	4	Right Hanger Bracket
26	152002	8	1/4-20 Hex Nut PLTD
27	153018	8	1/4" Flat Washer PLTD
28	820464	1	R.O. Inlet Test Cell Assembly
29	182252	1	Pressure Tank
30	182386	1	16 Mesh T-Line Strainer Screen ONLY



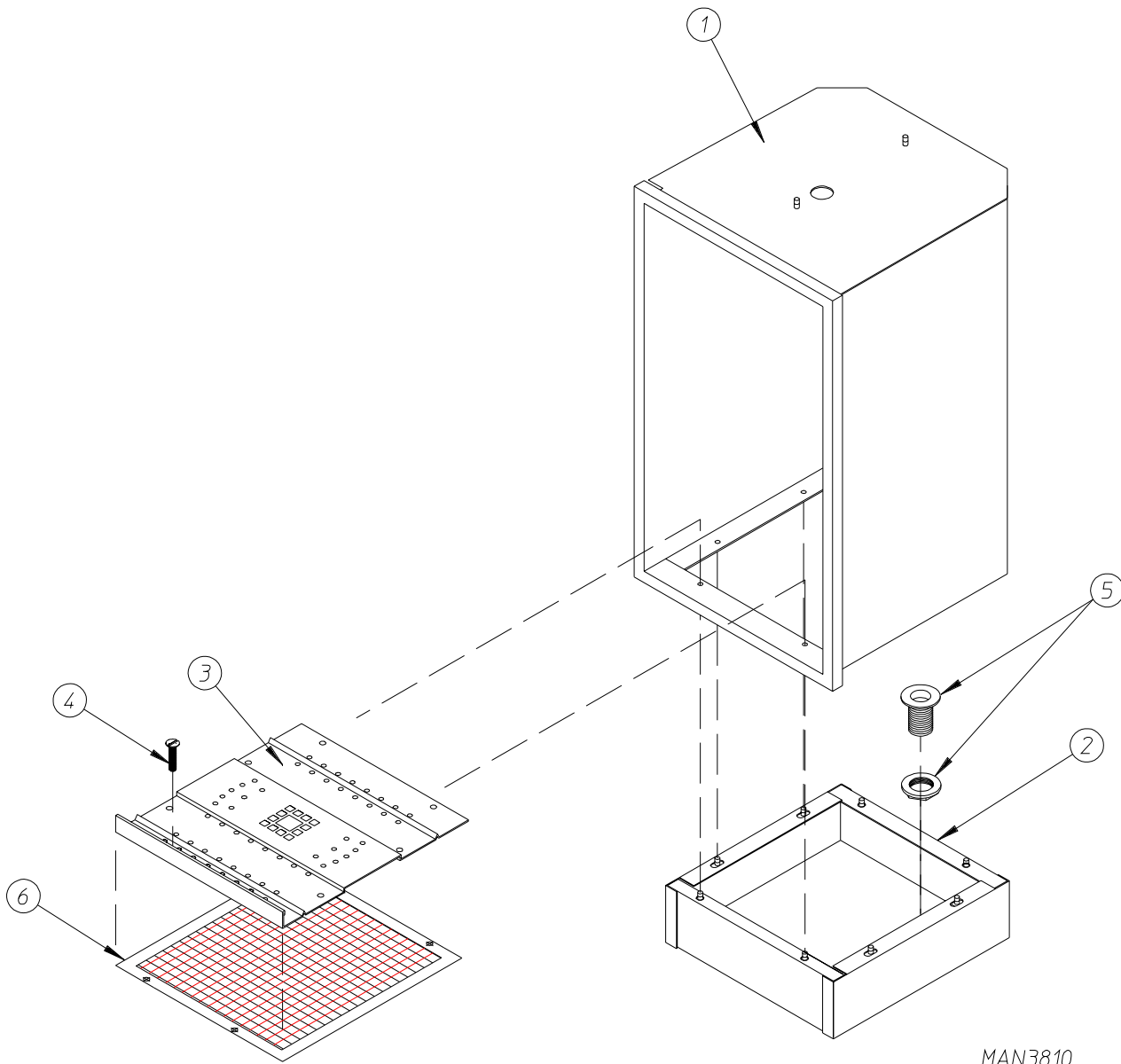
MAN3809

<u>Illus. No.</u>	<u>Part No.</u>	<u>Qty.</u>	<u>Description</u>
1	182090	1	10" Filter Housing 1/2" Conn.
2	182153	1	2-1/4" x 10" Matrix CTO Filter
3	833110	1	Polishing Filter Bracket Assembly
4	153000	4	#8 Steel Burr PLTD
5	182501	4	#8 X 1/2" PH Rolling Screw Zinc
6	153018	4	1/4 Flat Washer PLTD
7	152002	4	1/4-20 Hex Nut PLTD
8	182556	1	1/2 ID x 1/2 NPT Nylon Male Elbow
9	182575	2	1/4 x 1/2" Nylon Reducing Nipple
10	182553	1	1/2" Threaded PVC Elbow
11	182560	1	1/2" Threaded PVC Tee
12	182591	1	1/2 ID x 1/2" NPT Nylon Male Adapter
13	182602	1	1/2" MPT x 1/4" FPT Reducer
14	182477	1	2-1/2" Dial Gauge 0-60 PSI S.S.



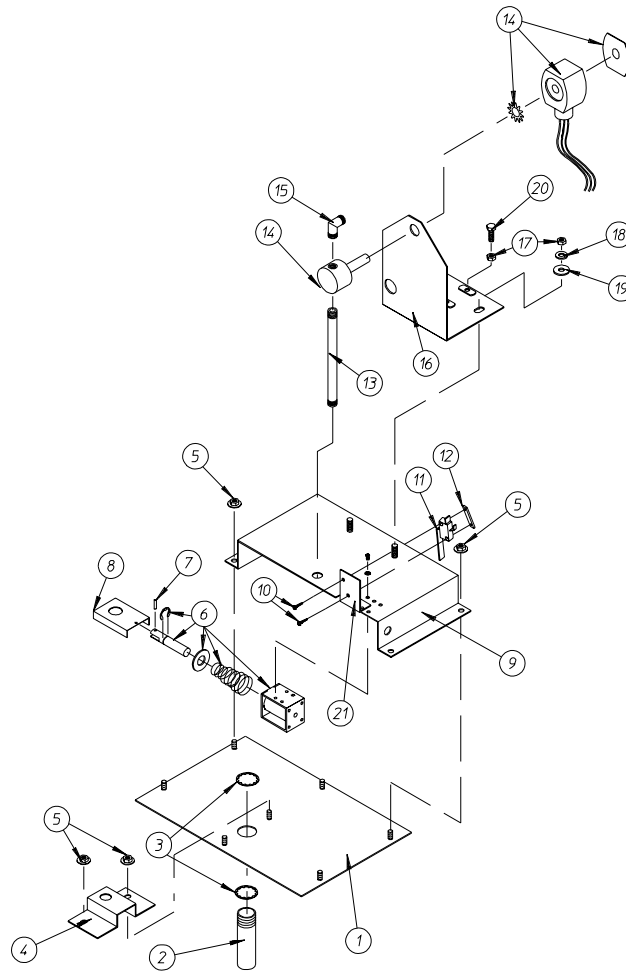
<u>Illus. No.</u>	<u>Part No.</u>	<u>Qty.</u>	<u>Description</u>
1	*	1	Key ONLY
2	*		Lock ONLY
3	182810	1	Coin Box
4	152014	2	1/4" - 20 Free Spin Wash Nut
5	182811	1	Coin Box Mounting Bracket
6	182803	4	1/4" Hex Nut
7	182802	1	Coin Return Chute Clip
8	182805	1	Coin Return Chute Door

* Consult factory or lock and key information.



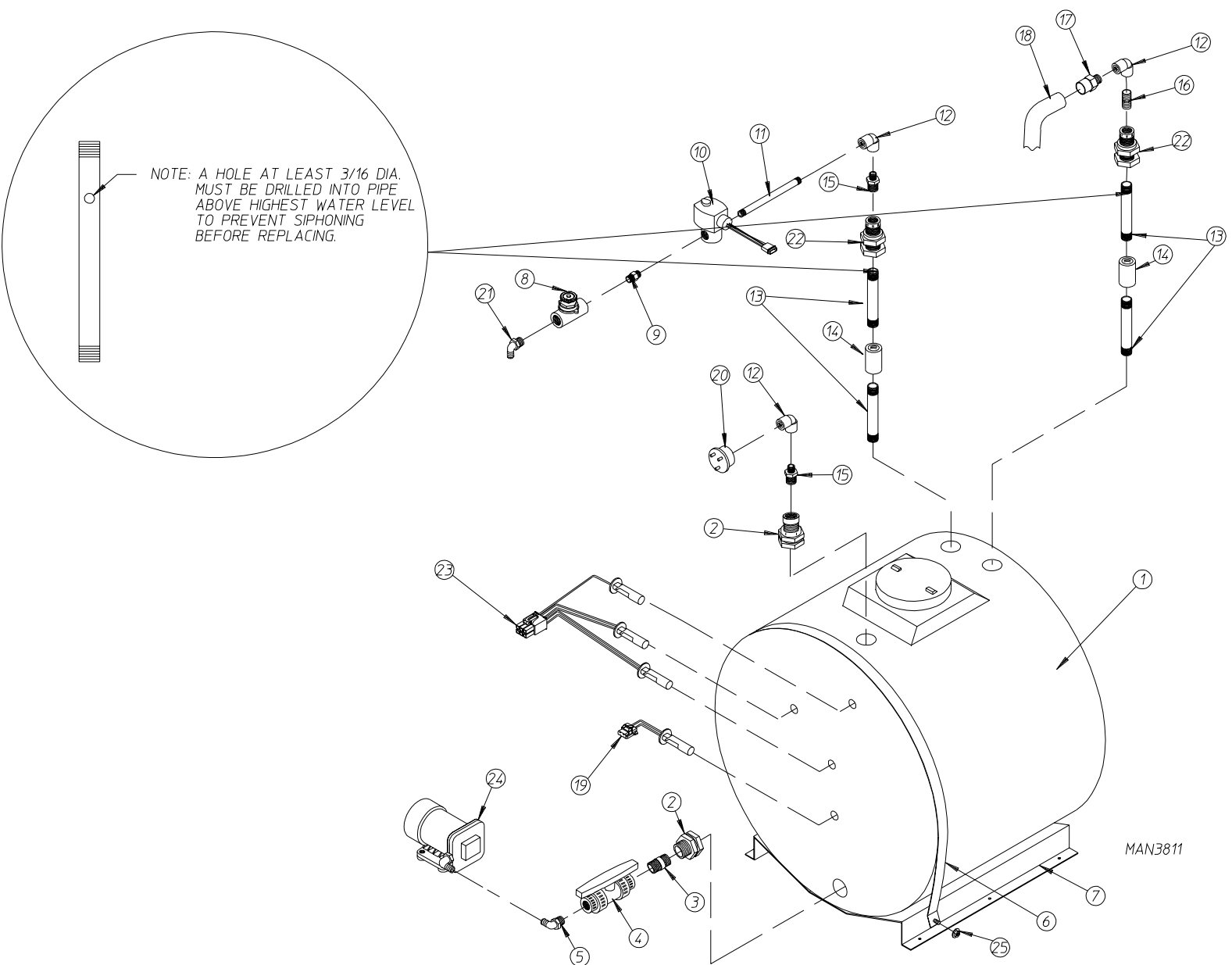
MAN3810

<u>Illus. No.</u>	<u>Part No.</u>	<u>Qty.</u>	<u>Description</u>
1	833072	1	Dispensing Bay Weldment
2	833071	1	Reservoir Weldment
3	300425	1	Dispensing Bay Bottom
4	150118	4	1/4-20 x 1/4" Machine Screw
5	182587	1	1" Bar Strainer
6	833070	1	Drain Screen Weldment

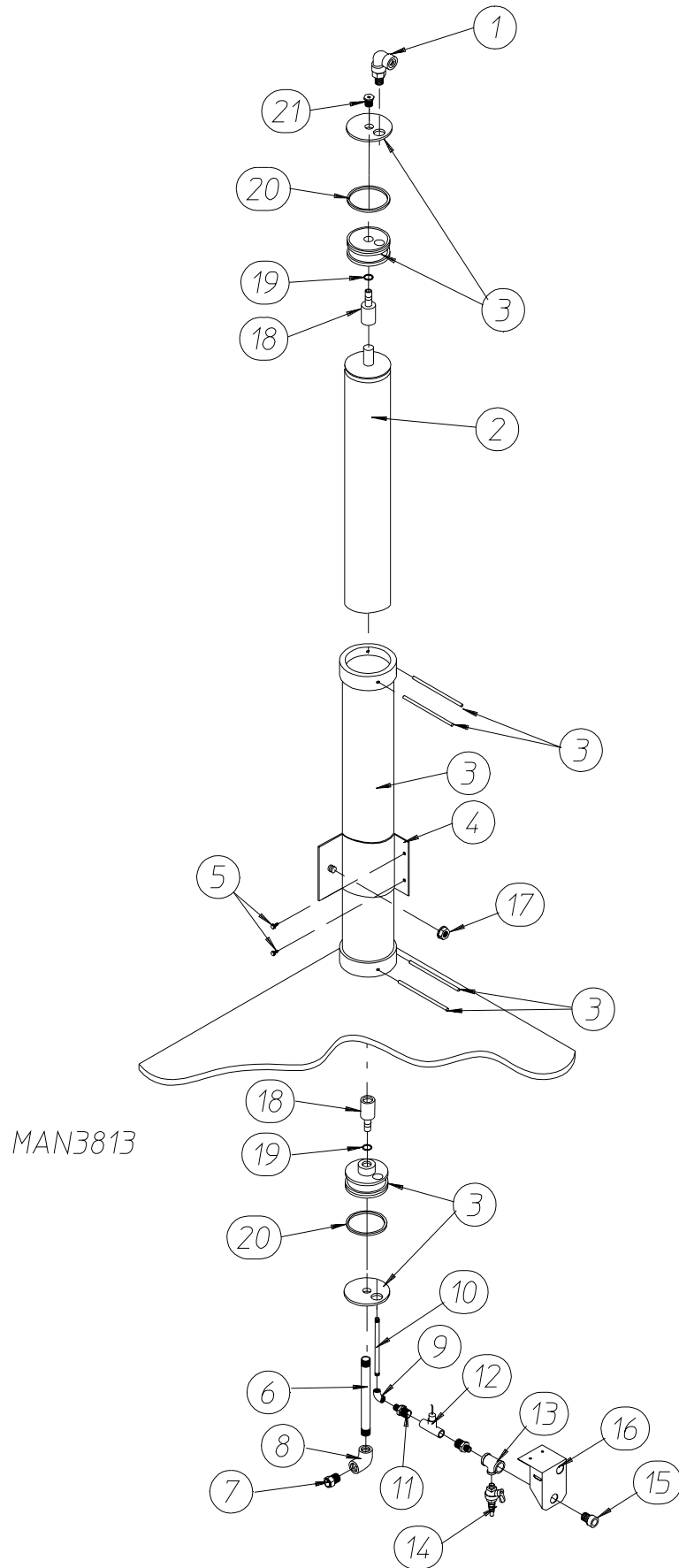


MAN3817

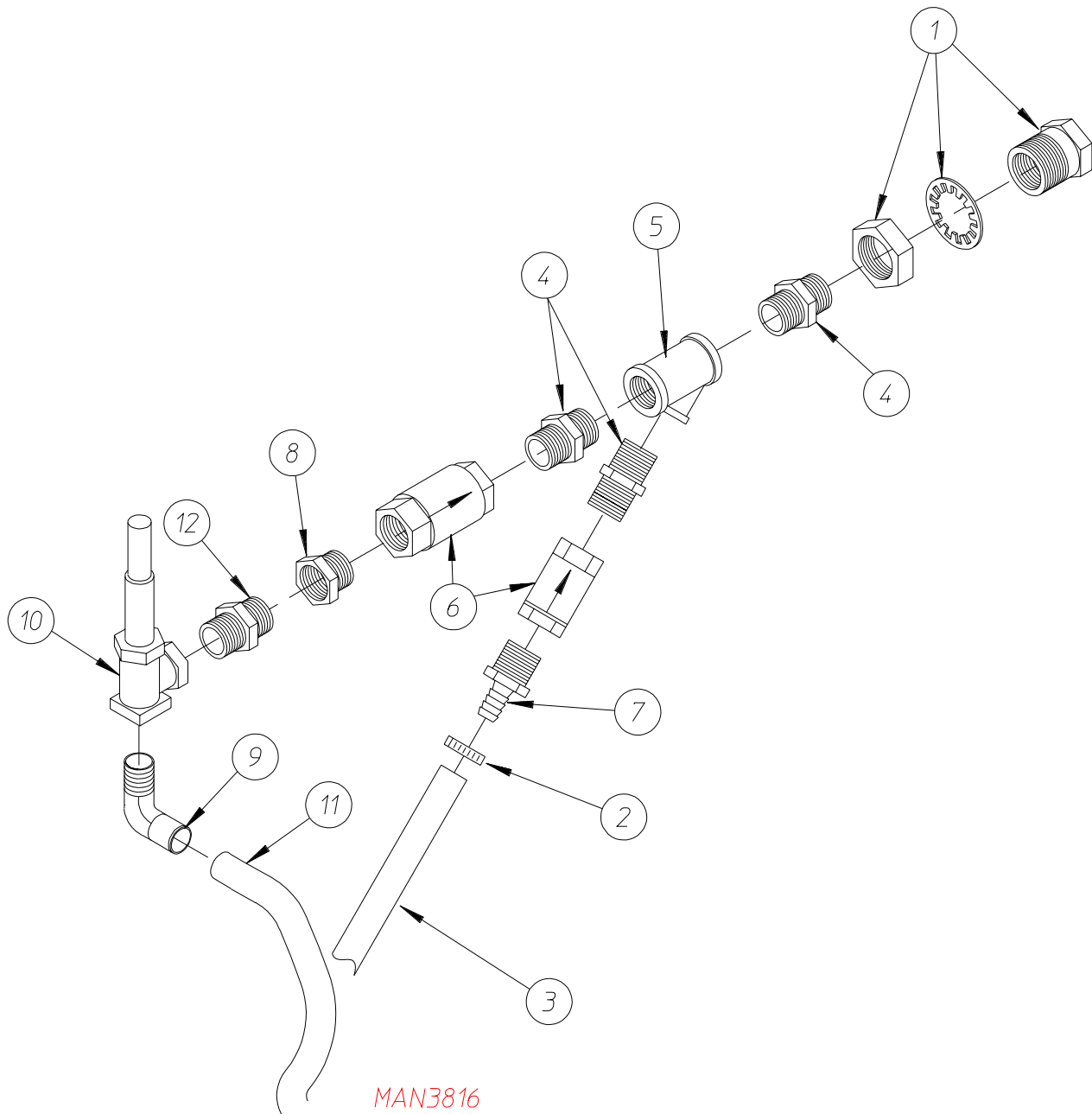
<u>Illus. No.</u>	<u>Part No.</u>	<u>Qty.</u>	<u>Description</u>
1	833032	1	Dispensing Bay Mounting Panel
2	182597	1	Nozzle Protector
3	120103	2	1" Conduit Nut
4	300887	1	Nozzle Protector Restraint
5	152014	6	1/4-20 Free Spin Wash Nut
6	830870	1	Trap Door Solenoid Valve 24 VAC
7	182410	1	3/32" Stainless Steel Spring Pin
8	300886	1	Trap Door
9	833031	1	Dispensing Solenoid Mounting Plate
10	150303	2	#4 x 3/4" Pan Head Machine Screw
11	122200	1	Sail Switch
12	154004	1	Twin Speed Nut
13	142851	1	1/4" x 4" Nipple
14	830864	1	Stainless Steel "Oil Free" Valve Assembly - 24 VAC
15	182558	1	1/2" x 1/4" N.P.T. Nylon Elbow
16	833050	1	Dispensing Solenoid Mounting Bracket
17	152004	2	5/16-18 Hex Nut
18	153002	2	5/16" Lock Washer
19	153001	2	5/16" Flat Washer
20	150501	2	5/16-18 x 3/4" Bolt



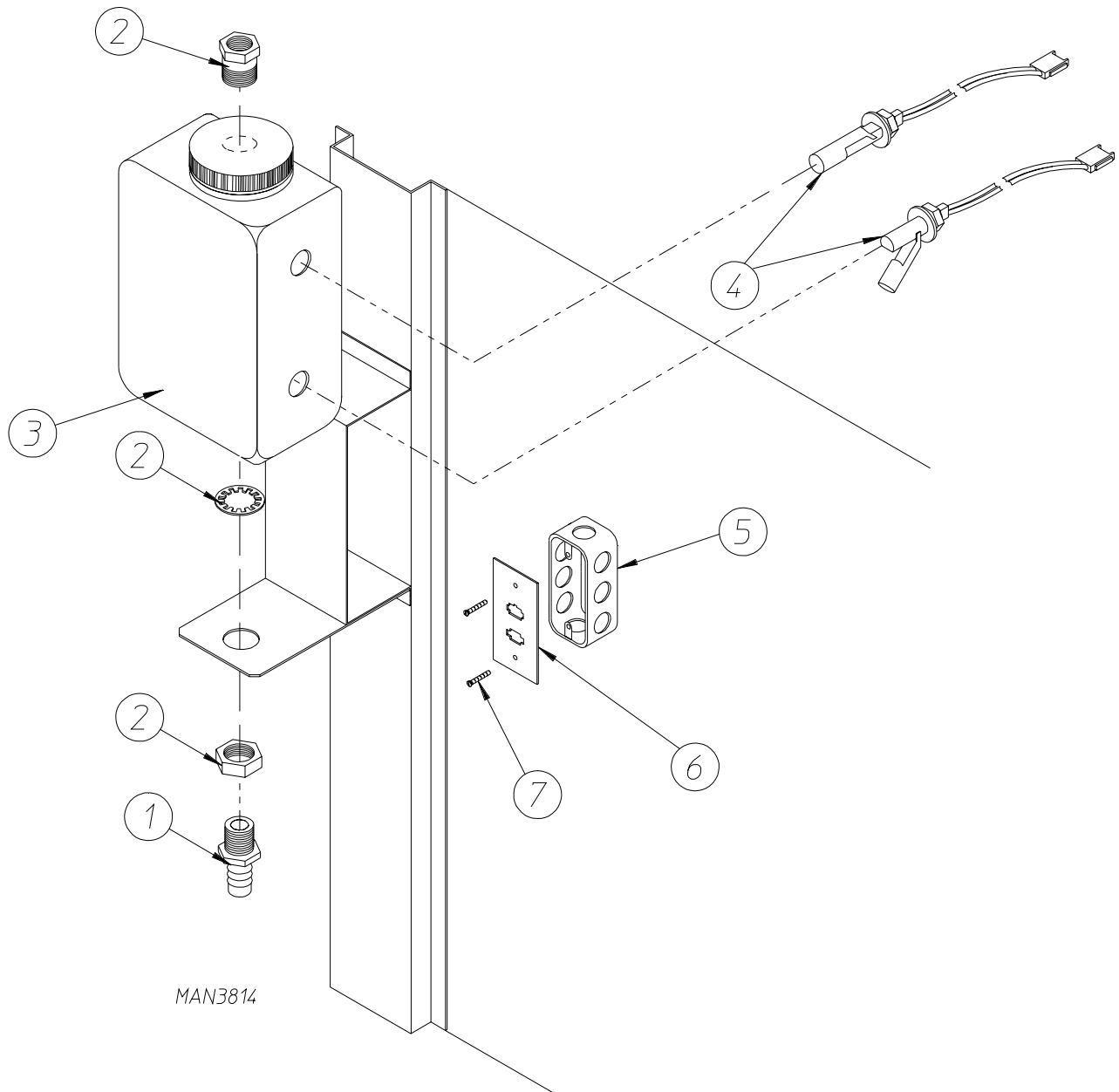
<u>Illus. No.</u>	<u>Part No.</u>	<u>Qty.</u>	<u>Description</u>
1	182257	1	25 Gallon Hoper Tank
2	182251	2	1/2 PVC Bulkhead Fitting
3	182572	1	1/2 PVC Short Nipple
4	182056	1	1/2 PVC Ball Valve
5	182556	1	1/2 x 1/2 Nylon Elbow
6	300436	1	Tank Strap
7	833099	1	Tank Base Assembly
8	182059	1	1/4 PVC Needle Valve
9	182576	1	1/4 N.P.T. Nylon Nipple
10	830872	1	S.S. "Oil Free" Circulation Valve Assembly - 24 VAC
11	182571	1	1/4" x 6" PVC Nipple
12	182552	3	1/4 Threaded PVC Elbow
13	182570	4	1/2" x 8" PVC Elbow
14	182533	2	1/2 Threaded Coupling
15	182575	2	1/4 x 1/2 Nylon Reducing Nipple
16	182572	1	1/2 PVC Short Nipple
17	182580	1	3/8 x 1/4" N.P.T. Male Connector (Push IN)
18	182376		.295 x 3/8 x .04 Nylon Tubing
19	830863	1	Water Tank Switch Assembly
20	182150	1	Vent Filter
21	182558	1	1/2 x 1/4 N.P.T. Elbow
22	182253	2	1/2 PVC Threaded Bulkhead
23	833148	1	Tank Float Switch Harness Assembly
24	182128	1	3.5 G.P.M. Pump Flo Jet
25	152014	2	1/4-20 Free Spin Wash Nut



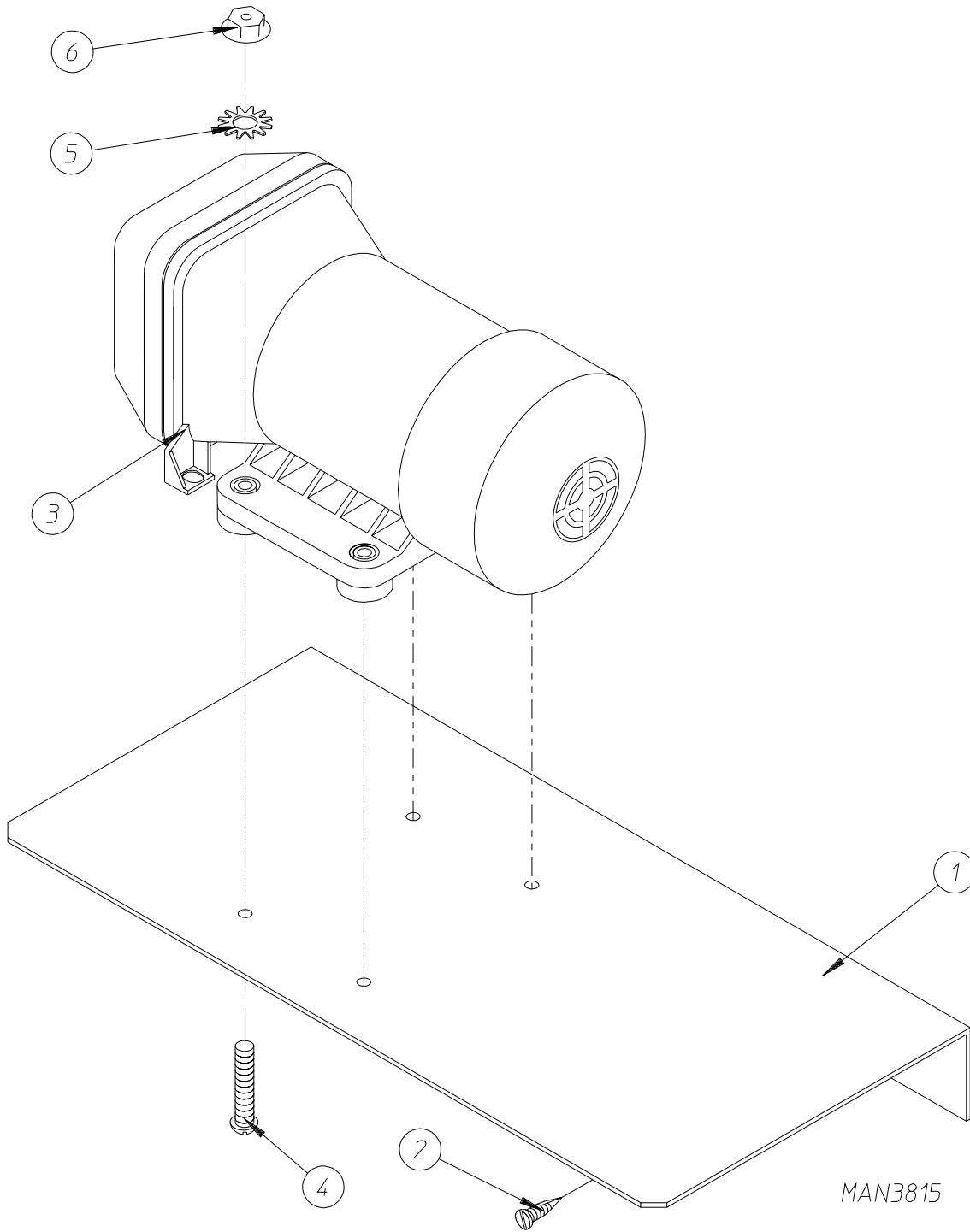
<u>Illus. No.</u>	<u>Part No.</u>	<u>Qty.</u>	<u>Description</u>
1	182584	1	1/2" x 1/2" N.P.T. Elbow
2	182095	1	Reverse Osmosis (R.O) Membrane ONLY
3	182099	1	25" Pressure Vessel with Caps ONLY
	833106	1	R.O. Membrane Assembly (includes illus. nos. 1 through 21)
4	300497	1	Membrane Support Bracket
5	150300	2	#10 x 1/2" TEK Washer Machine Screw
6	182570	1	1/2" x 8" Nipple
7	182581	1	3/8" Push-On x 1/2" N.P.T.
8	182553	1	1/2" x 90° Elbow PVC
9	182552	1	1/4" X 90° Elbow PVC
10	182571	1	1/2 x 6" Nipple
11	182575	2	1/4" x 1/2" Nylon Reducing Nipple
12	820480	1	Outlet Test Cell
13	182561	1	1/4" Tee
14	182054	1	1/4" PVC Ball Valve
15	182580	1	3/8" x 1/4" NPT Male Connector
16	300498	1	Outlet Cell Hanging Bracket
17	152014	1	1/4"-20 Free Spin Wash Nut
18	182122	2	End Adapter with O-Rings
19	182121	2	Small O-Ring (internal)
20	182120	2	Large O-Ring (external)
21	182551	1	1/2" PVC Plug



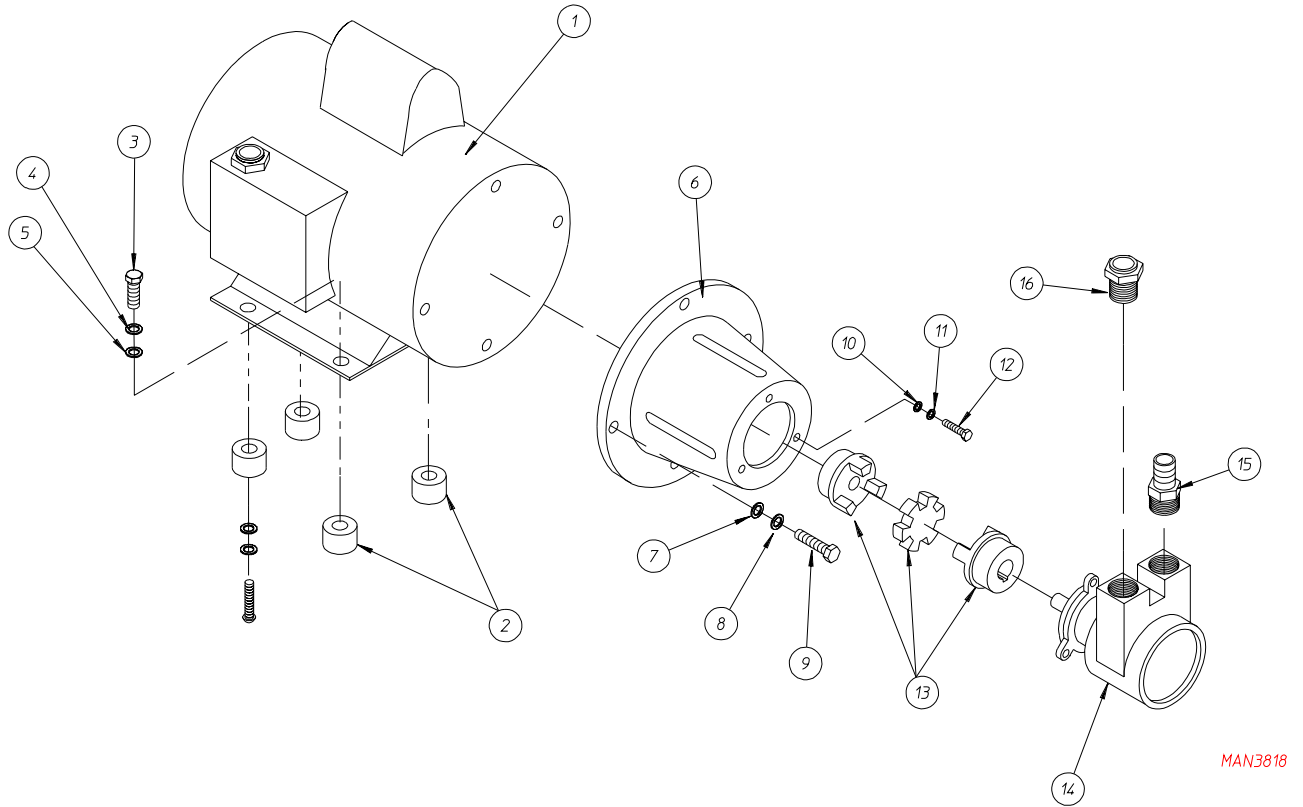
<u>Illus. No.</u>	<u>Part No.</u>	<u>Qty.</u>	<u>Description</u>
1	182595	1	1/2" Brass Bulkhead Adapter
2	182529	1	Hose Clamp
3	182375		1/2" x 1/8" Wall Korobraid Tubing
4	182578	3	1/2" Brass Hex Pipe Nipple
5	182568	1	1/2" Brass "Y" Tee
6	182057	2	1/2" Check Valve
7	182530	1	1/2" x 1/2" N.P.T. Hose To Male Pipe
8	182523	1	1/2" x 3/8" Brass Hex Bushing
9	182519	1	3/8" N.P.T. x 1/2" Brass Elbow
10	182058	1	3/8" Back Pressure Valve
11	182377		1/2" Nylon Tubing
12	182579	1	3/8" Brass Hex Pipe Nipple



<u>Illus. No.</u>	<u>Part No.</u>	<u>Qty.</u>	<u>Description</u>
1	182591	1	1/2" x 1/2" N.P.T. Male Adapter
2	182595	1	1/2" Bulkhead Adapter
3	182255	1	Reservoir Tank
4	830862	1	Level Switch
5	121104	1	2" x 2" x 4" J-Box
6	300388	1	J-Box Plate
7	150005	2	6-32 x 1/4" Phil-RH-MS PLTD

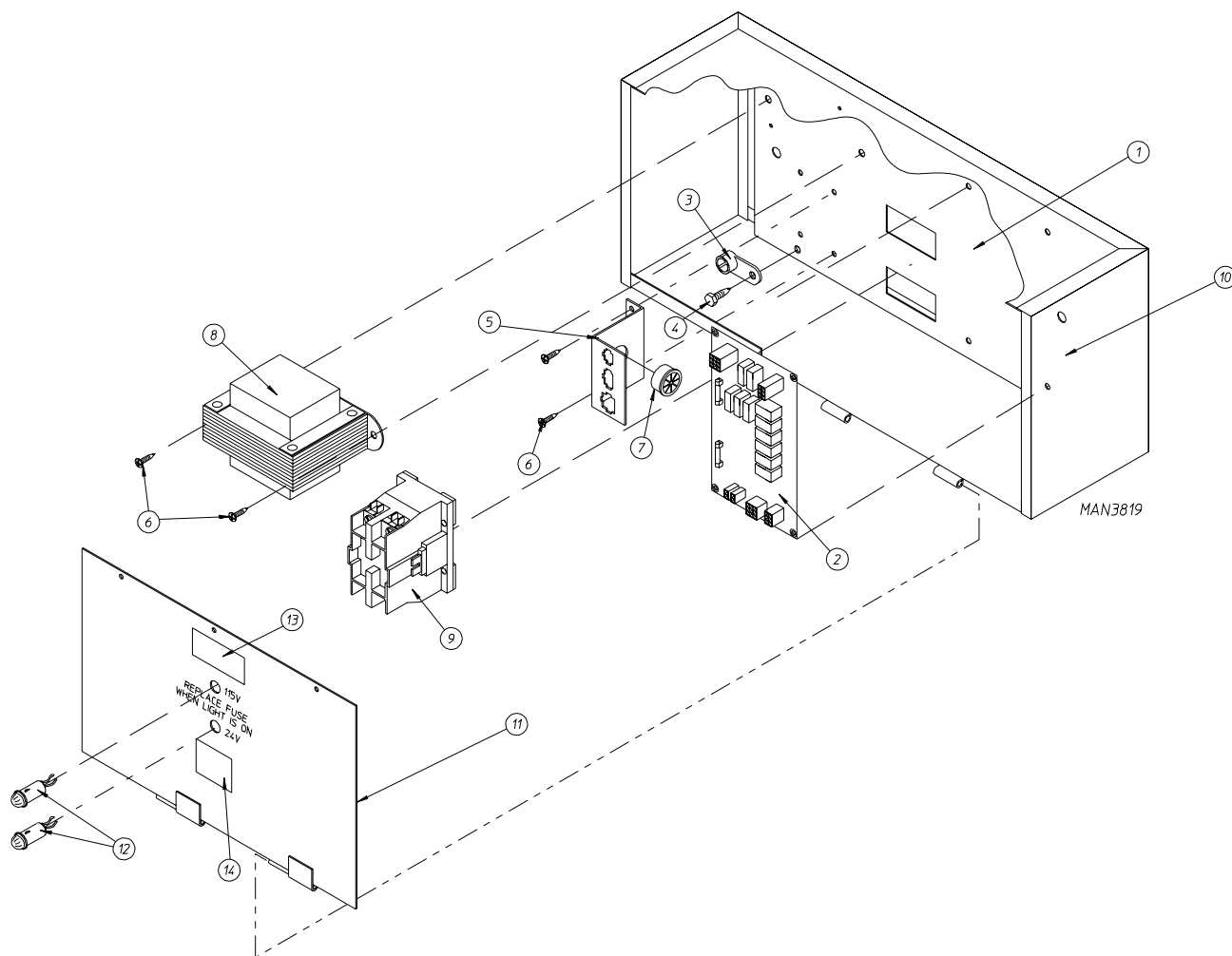


<u>Illus. No.</u>	<u>Part No.</u>	<u>Qty.</u>	<u>Description</u>
1	300468	1	Drain Pump Base
2	150300	3	#10-1/2" TEK Screw
3	182128	1	Drain Pump
4	150101	4	#8-32 x 1-1/4" Slotted Machine Screw
5	153012	4	#8 Star Washer
6	151001	4	#8-32 Pal Nut

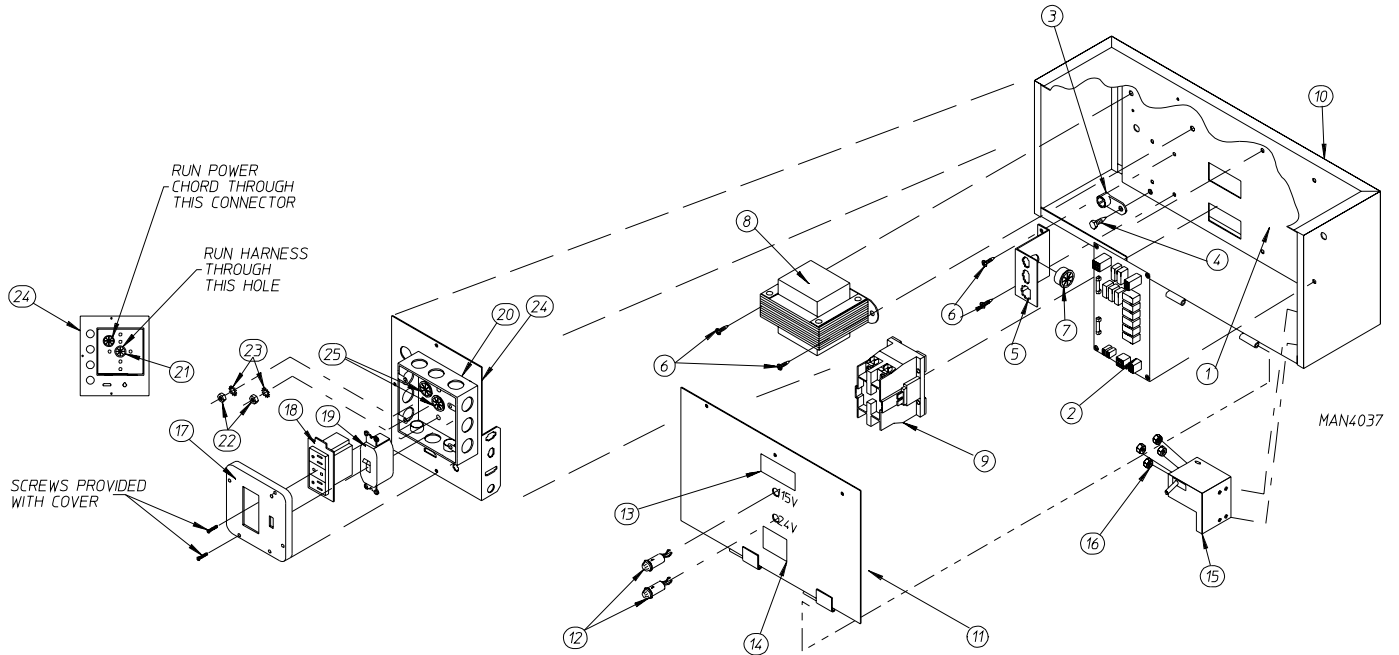


MAN3818

<u>Illus. No.</u>	<u>Part No.</u>	<u>Qty.</u>	<u>Description</u>
1	182100	1	3/4 HP 60 Hz 115/220V 56C Motor
2	182400	4	Rubber Stud Bumper
3	182502	8	5/16-18 x 1/2" Hex Head Machine Bolt
4	153002	8	5/16" Lock Washer
5	153001	8	5/16" Flat Washer
6	182126	1	Pump Adapter
7	153004	4	3/8" Flat Washer
8	153005	4	3/8" Lock Washer
9	150617	4	3/8-16 x 1" Hex Head Bolt
10	153018	3	1/4" Flat Washer
11	153007	3	1/4" Lock Washer
12	150510	3	1/4-20 x 3/4" Hex Head Machine Bolt
13	182127	1	5/8 Pump Coupling
14	182125	1	Pump
15	182531	1	5/8 ID x 1/2" N.P.T. Brass Push IN
16	182520	1	1/2" N.P.T. x 1/2" Brass Push IN



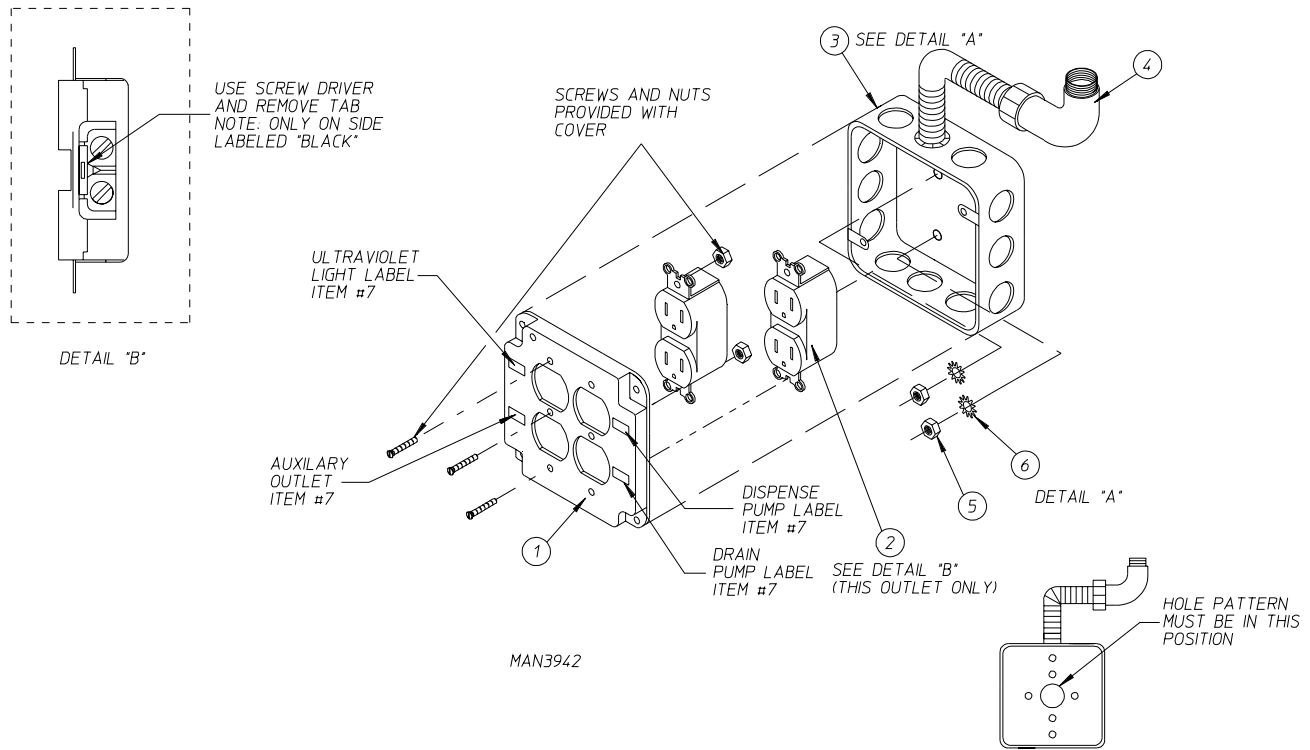
<u>Illus. No.</u>	<u>Part No.</u>	<u>Qty.</u>	<u>Description</u>
1	300493	1	Electrical Panel
	833164	1	Rear Electric Power/Panel Contactor Complete (includes illus. nos. 1 through 9)
2	182016	1	Relay Board
3	121010	1	Ground Lug
4	150297	1	#10 x 1/2 Hex Screw
5	353258	1	Rear Panel Connector Bracket
6	150301	4	#8-18 x 7/16" PH Head TEK Screw
7	121400	1	7/8" Universal Bushing
8	182455	1	Transformer
9	132451	1	Motor Contactor
	833143	1	Rear Power Panel and Contactor Wiring
10	833103	1	Electric Box Weldment
11	833102	1	Electric Box Cover
12	830874	1	120V/60Hz Indicator Light
13	112014	1	High Voltage Label
14	114007	1	Danger - High Voltage Label



<u>Illus. No.</u>	<u>Part No.</u>	<u>Qty.</u>	<u>Description</u>
1	882083	1	Reverse Osmosis (R.O.) Comparator Box Cover ONLY
	820497	1	Reverse Osmosis (R.O.) Comparator Box Assembly Complete (includes illus. nos. 1 and 3 through 5)
2	182006	1	Reverse Osmosis (R.O.) Comparator Box Label ONLY (refer to AD-830 Electrical Labels Sheet)
3	882084	1	Reverse Osmosis (R.O.) Comparator Box ONLY
4	151001	2	#8-32 Pal Nut
5	820459	1	Reverse Osmosis (R.O.) Comparator Assembly
6	150309	2	10-16 x 1/2" HH Crimptite Tek Screw
7	882085	1	Reverse Osmosis (R.O.) Comparator Box Rear Cover

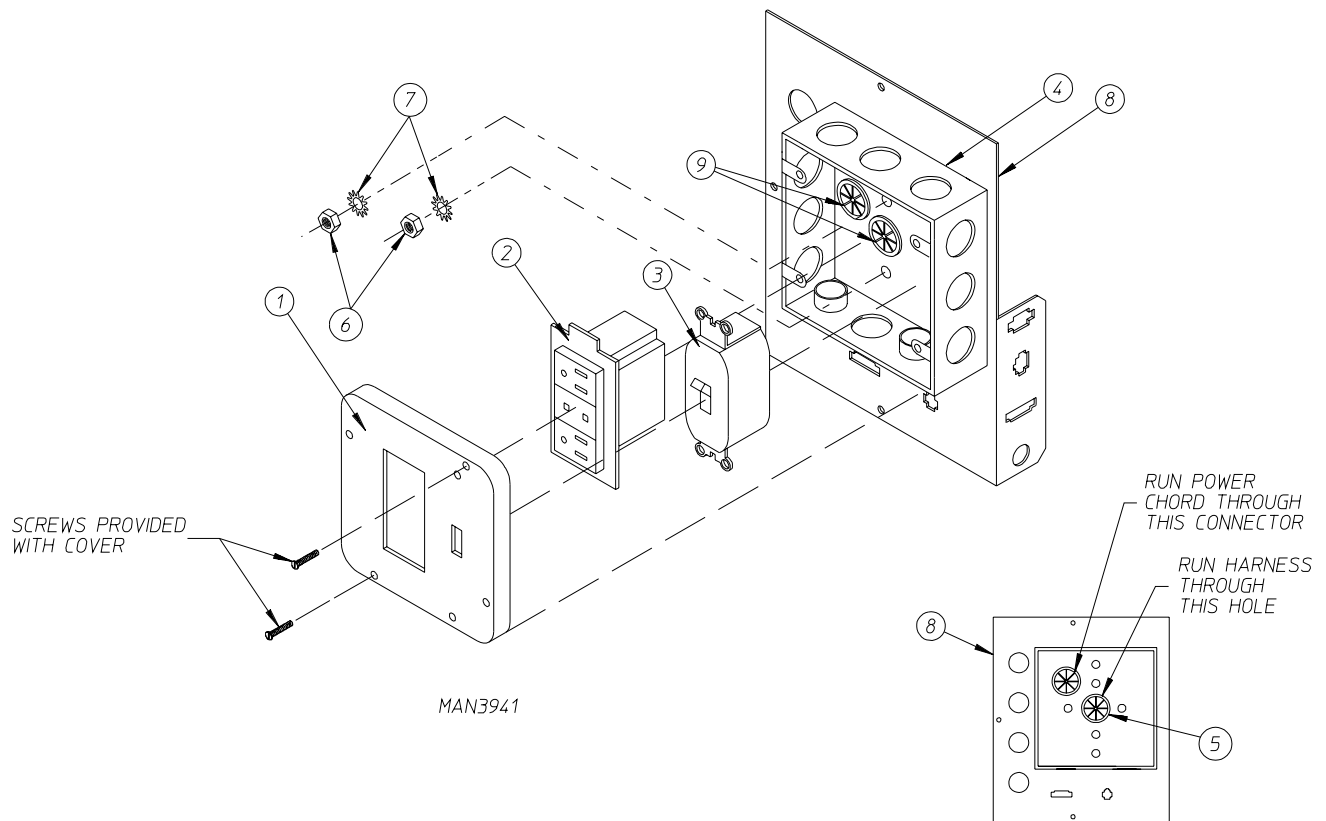
26 Dispense, Drain, and Ultraviolet (UV) Outlet Junction Box Assembly

120 Volt - 60 Hz

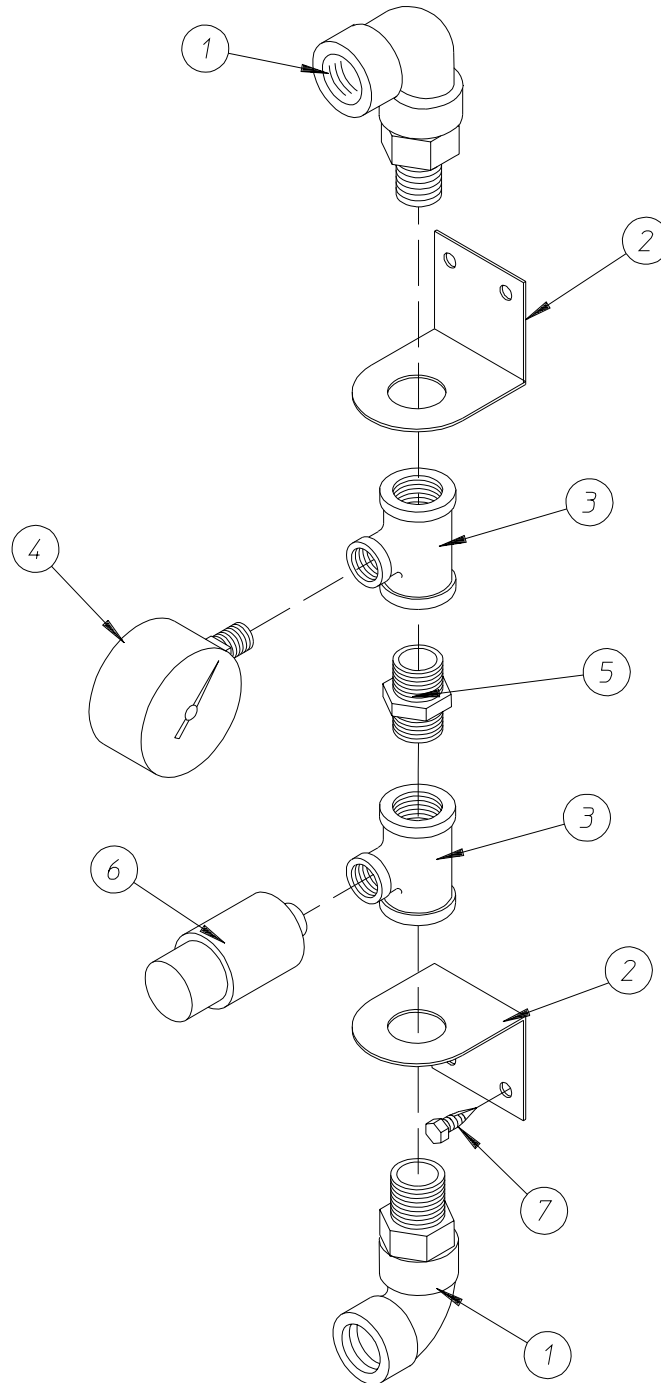


Illus. No.	Part No.	Qty.	Description
1	182465	1	4" x 4" Duplex Cover (includes Hardware)
	833140	1	Dispense, Drain, and UV Outlet Junction Box Assembly Complete 120 Volt / 60 Hz (includes illus. nos. 1 through 6)
2	121125	2	Duplex Receptacle - Gray
3	121100	1	4" x 4" Junction Box ONLY
4	833163	1	AD-830 (2) Outlet Junction Box Harness - 120 Volt / 60 Hz
5	152001	2	#8-32 Hex Nut
6	153012	2	#8 Star Washer
7	182003	5	Electrical Label Sheet

120 Volt - 60 Hz



<u>Illus. No.</u>	<u>Part No.</u>	<u>Qty.</u>	<u>Description</u>
1	182467	1	Junction Box Cover (for On/Off Switch)
	833144	1	Rear G.F.I. and Switch Junction Box Assembly Complete 120 Volt / 60 Hz (includes illus. nos. 1 through 7)
2	830891	1	Ground Fault Interrupter (G.F.I.) Receptacle
3	182466	1	On/Off Switch
4	182459	1	Junction Box ONLY
5	833153	1	AD-830 Rear Junction Box G.F.I. and Power Switch Harness
6	152001	2	#8-32 Hex Nut
7	153012	2	#8 Star Washer
8	300494	1	AD-840 Electrical Box Back Plate
9	121400	2	7/8" Universal Bushing



MAN3812

<u>Illus. No.</u>	<u>Part No.</u>	<u>Qty.</u>	<u>Description</u>
1	182584	2	1/2" x 1/2" N.P.T. Elbow
2	318700	2	Pipe Bracket
3	182564	2	1/2" x 1/2" x 1/4" Brass Tee
4	182476	1	2" Dial Gauge
5	182578	1	1/2 Brass Nipple
6	830884	1	High Pressure Switch
7	150300	4	#10 TEK Screw

ADC482060 1- 07/7/98-25 2* 07/26/00-25

