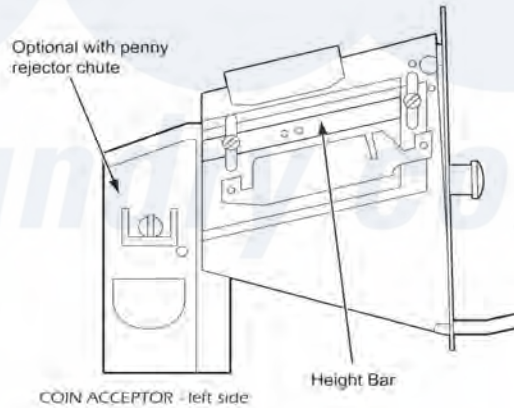
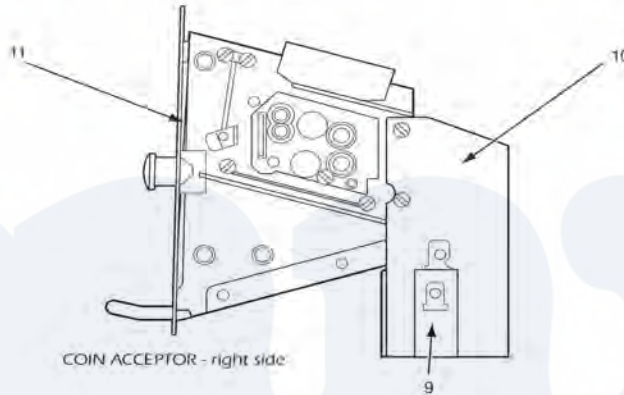
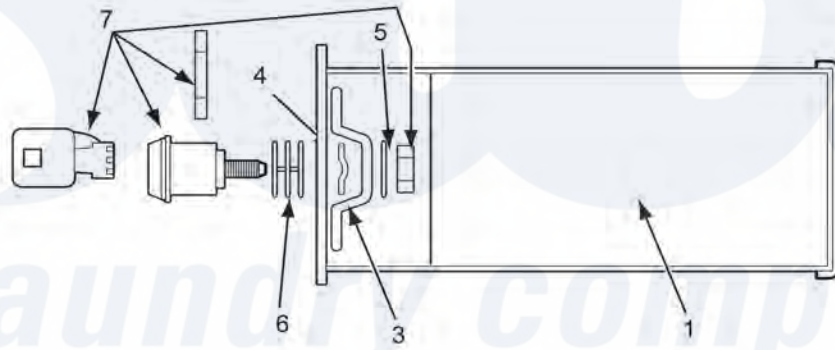


Dexter DDAD30 (10/2008) Coin Handling Group



[Dexter Commercial Dexter DDAD30 \(10/2008\) Dryer Parts](#) Parts Diagram Coin Handling Group
 Click on the part number to view part

Item	Original Part Number	Replaced By	Status	Part Description
2	9732-122-001	9807-099-001		Box Assembly Coin Vault ESD W/lock & Key Chrome
*	9942-034-002	9942-034-002P		DDAD Vault - Gray
"	9942-034-004	9942-034-004P		DDAD Vault-Almond
"	9942-034-003	9942-034-003P		DDAD Vault-White
1	9807-077-007			Box Assy, Coin
*	9982-338-001			Mounting Plate, Large Vault
"	8640-413-004			Nut, Elastic Stop
3	9349-033-001			Latch, Coin Box
4	8641-569-002			Washer, Wave
5	8641-583-001			Washer, Keeper
6	8641-581-008			Washer, Spacer- Thick

"	8641-581-010	Washer, Spacer- Thin
7	8650-012-002	Lock, Coin Box (w/key not included with 9732-122-001)
8	9021-001-010	Acceptor, Coin
*	9545-053-002	Screw
9	9732-126-001	Switch (for coin acceptor with extra actuator)
10	9119-025-002	Acceptor Chute Ass'y w/o penny ejector
*	9119-025-001	OPTIONAL Acceptor Chute W/ penny rejector

the laundry company®

the laundry company®

the laundry company®