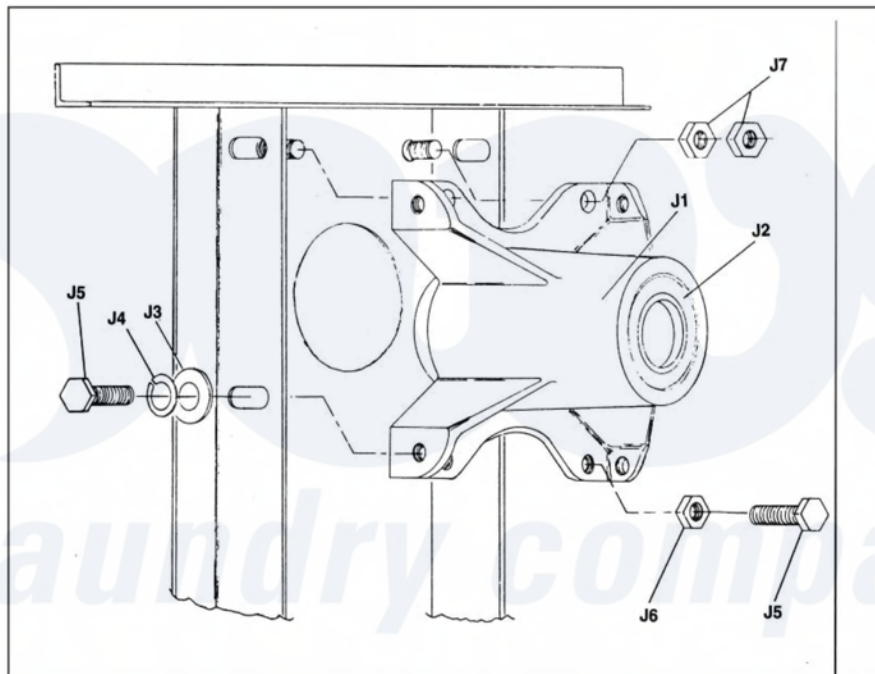


## Dexter DDAD30 Bearing Housing Group



Dexter [Commercial Dexter DDAD30 Dryer Parts](#) Parts Diagram Bearing Housing Group  
 Click on the part number to view part

Item	Original Part Number	Replaced By	Status	Part Description
J1	<a href="#">9241-161-002</a>			Housing, Bearing
J2	<a href="#">9036-130-001</a>			Bearing, Ball
*	<a href="#">9538-139-002</a>			Spacer, Bearing
J5	<a href="#">9545-049-001</a>			Bolt
J6	<a href="#">8640-415-001</a>			Nut
J7	<a href="#">8640-400-002</a>			Nut, 5/16
*	<a href="#">9803-160-003</a>			Bearing Housing Complete Ass'y (includes bearings, spacer)
J4	<a href="#">9545-049-002</a>		Not Available	Screw 3/8 x 3/4