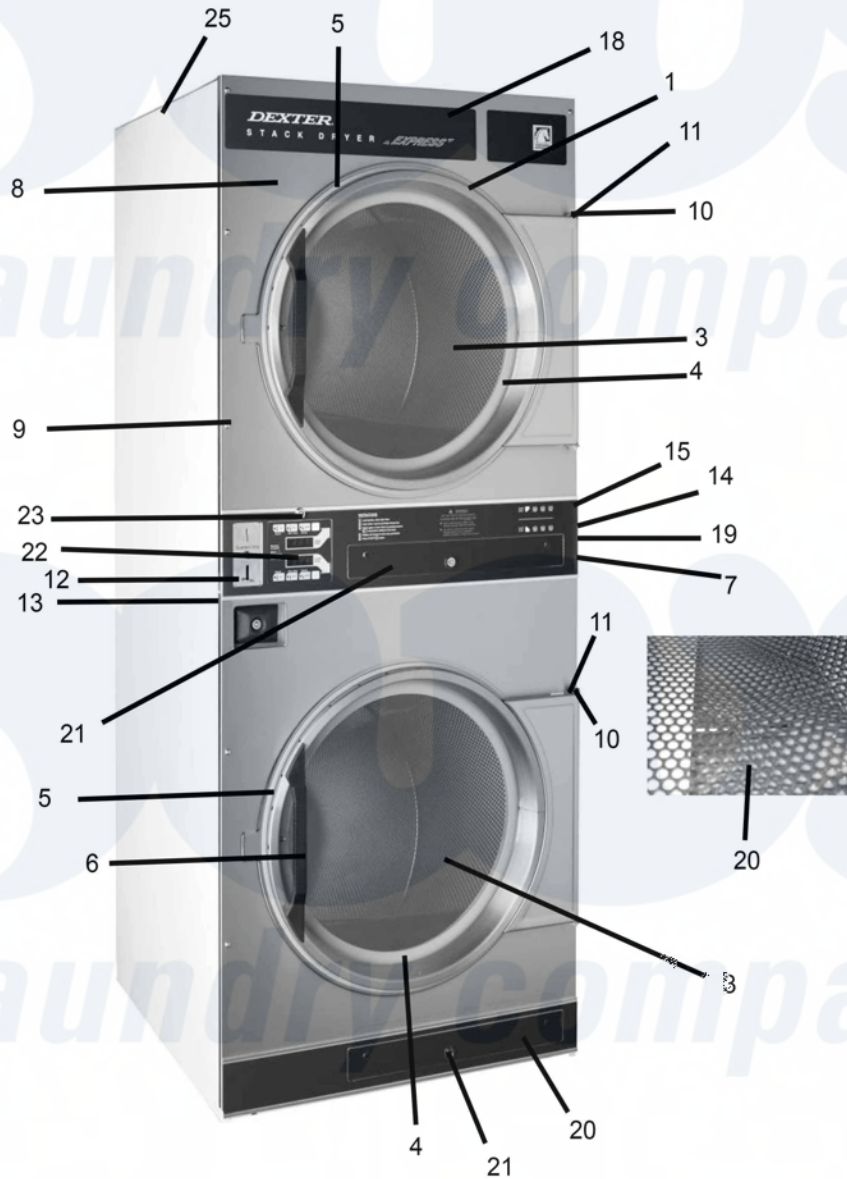


## Dexter DDAD30 Cabinet Group



[Dexter Commercial Dexter DDAD30 Dryer Parts](#) Parts Diagram Cabinet Group

Click on the part number to view part

Item	Original Part Number	Replaced By	Status	Part Description
*	9960-256-033		Not Available	Door Assy, Loading Complete-Alm
"	<a href="#">9960-256-032</a>			Door Assy, Loading Complete-Wht
"	9960-256-034	<a href="#">9960-256-034P</a>		Door Assy.
1	<a href="#">9960-255-008</a>			Door Assy, Loading-SS(ring only)
2	9982-280-215		Not Available	Plate Assy, Hinge (Alm) No Pin
"	9982-280-014	<a href="#">9982-280-014P</a>		Wh.Hinge Plate NP
"	9982-280-012		Not Available	Plate Assy, Hinge (SS) No Pin
*	<a href="#">9545-012-015</a>			Screw, Hinge to Door
"	<a href="#">8640-413-002</a>			Nut, Hinge to Door
3	<a href="#">9212-002-003</a>			Glass, Door
4	<a href="#">9206-164-009</a>			Gasket, Glass

*	<a href="#">9548-117-000</a>		Support, Door Glass
5	<a href="#">9206-420-002</a>		Gasket, Outer Rim
6	<a href="#">9244-082-001</a>		Handle, Loading Door
*	<a href="#">9545-018-017</a>		Screw, Handle 1/4-20 x 3/8
"	<a href="#">9531-033-001</a>		Stud, Door Catch
"	<a href="#">8640-413-001</a>		Nut, Hex
"	<a href="#">8640-413-003</a>		Nut
"	<a href="#">9086-015-002</a>		Catch, Loading Door
"	<a href="#">8638-190-009</a>		Pop Rivet for mtg catch
"	<a href="#">8641-582-006</a>		Lockwasher
"	<a href="#">8640-399-001</a>		Spring Nut
7	<a href="#">9989-513-008</a>		Panel Assy, Front- Lower (Alm)
"	<a href="#">9989-513-007</a>	<a href="#">9989-513-007P</a>	Lower white panel
"	<a href="#">9989-513-005</a>	Not Available	Panel Assy, Front- Lower (SS)
8	<a href="#">9989-513-004</a>		Panel Assy, Front- Upper (Alm)
"	<a href="#">9989-513-003</a>	<a href="#">9989-513-003P</a>	Upper Front White
"	<a href="#">9989-512-001</a>	Not Available	Panel Assy, Front- Upper (SS)
9	<a href="#">9545-008-020</a>		Screw
"	<a href="#">8641-582-019</a>		Lockwasher
*	<a href="#">8640-399-001</a>		Spring Nut
10	<a href="#">9544-047-005</a>	<a href="#">9544-047-005P</a>	Hinge strap - Alm
"	<a href="#">9544-047-002</a>	<a href="#">9544-047-002P</a>	Hinge strap-white
"	<a href="#">9544-047-007</a>	<a href="#">9544-047-007P</a>	Hinge strap-gray
*	<a href="#">9345-008-020</a>	Not Available	Screw, Hinge to Panel
11	<a href="#">9545-052-001</a>		Screw, Door to Hinge Strap (Special Black Type)
*	<a href="#">8641-436-003</a>		Washer, Fiber
12	<a href="#">9021-001-010</a>		Acceptor, Coin
*	<a href="#">9486-136-001</a>		Retainer, Coin Acceptor
13	<a href="#">9545-053-002</a>		Screw
*	<a href="#">9732-126-001</a>		Switch ( for coin acceptor with extra actuator )
14	<a href="#">9994-030-001</a>		Escutcheon, Upper
15	<a href="#">9435-019-001</a>		Trim, Overlay-Upper, Blue
16	<a href="#">9994-031-001</a>		Escutcheon, Lower
17	<a href="#">9435-020-001</a>		Trim, Overlay-Lower, Blue
*	<a href="#">9545-020-009</a>		Screw
18	<a href="#">9412-154-001</a>		Nameplate Stack Dryer Express, Blue
20	<a href="#">9866-004-001</a>		Lint Drawer Assembly, Blue
"	<a href="#">9435-003-001</a>		Overlay Trim, Lint Drwr-Lower
*	<a href="#">9532-074-003</a>		Felt Seal ( back of lint screen assembly )
"	<a href="#">9805-029-002</a>	<a href="#">9805-029-002P</a>	Lint screen assy.
"	<a href="#">9555-057-002</a>		Replaceable Lint Screen Only used after serial #126066
21	<a href="#">8650-012-004</a>		Lock and Key, Lint Drawer
*	<a href="#">6292-006-007</a>		Key
"	<a href="#">9095-043-001</a>		Cam, Lock Lint Drawer
"	<a href="#">9545-008-001</a>		Screw 10-32 x 1/4

22	<a href="#">9857-147-001</a>		Controls Assy, Electronic Mounted With Membrane Switch
"	9801-059-005	<a href="#">9801-059-006</a>	Membrane Switch Assy Blue
*	<a href="#">9627-862-001</a>		Harness, Electronic Control
"	<a href="#">9627-854-001</a>		Wiring Harness- Coin
23	<a href="#">8650-012-003</a>		Lock and Key, Control
*	<a href="#">9095-041-001</a>		Cam, Lock
"	<a href="#">9627-855-001</a>		Harness, Heat Sensor
"	<a href="#">9277-041-011</a>		Insulation Cabinet Cover
"	<a href="#">9501-004-003</a>		Sensor Temp Control
"	<a href="#">9545-045-005</a>		Screw, Round Head (Mounts sensor to bracket; phillips head)
"	<a href="#">9545-008-024</a>		Screw HX Head Tapping (Mounts bracket housing to dryer)
"	<a href="#">9209-037-002</a>		Grommet, 3/16 ID
"	<a href="#">8544-006-001</a>		Leg, Leveling 1/2"
"	<a href="#">9074-261-001</a>		Cover, Cabinet (Top)
"	9732-253-001	<a href="#">9732-276-001</a>	Kit-DDAD w/o neut
"	<a href="#">9732-102-011</a>		LP Kit for DDAD Dryers
"	<a href="#">9732-243-001</a>		Stack Dryer Trunion Puller
"	<a href="#">9555-057-003</a>		Replaceable Lint Screen Fine Mesh Only
"	<a href="#">9277-053-001</a>		Insulation-Front Panel-Top Half
"	<a href="#">9277-053-002</a>		Insulation-Front Panel-Lower Half
"	<a href="#">9029-169-001</a>		Bracket for Heat Sensor Mounting (Under Basket) before #200588
"	<a href="#">8640-276-002</a>		Wire Nut Connector Grey
"	9527-007-002	Not Available	Standoff Wire Saddle
"	9544-041-002	Not Available	Strap - Bead Tie

*the laundry company*<sup>®</sup>