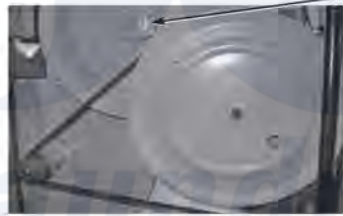
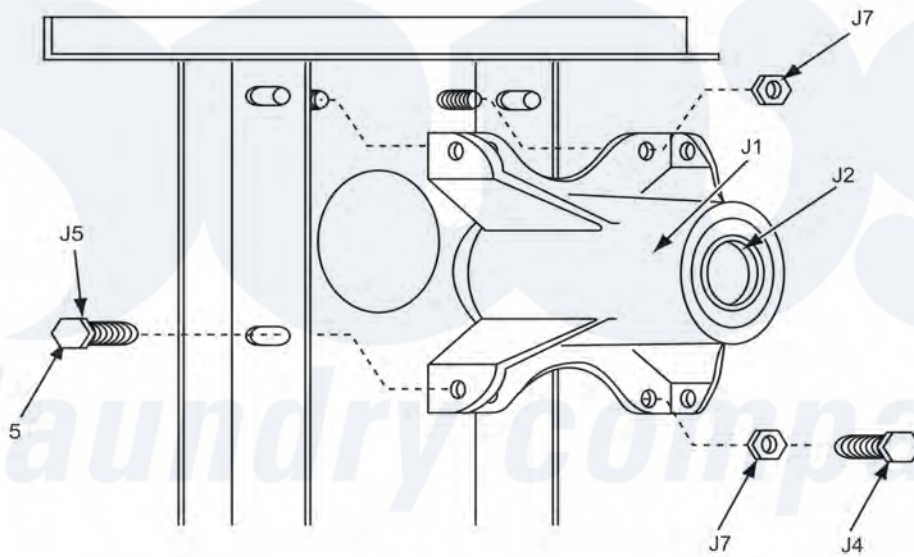


Dexter DDAD50KC Bear Housing Group



Torque
150 FT
Pounds



Dexter [Commercial Dexter DDAD50KC Dryer Parts](#) Parts Diagram Bear Housing Group
Click on the part number to view part

Item	Original Part Number	Replaced By	Status	Part Description
J1	9241-189-002		Not Available	Housing, Bearing
J2	9036-159-001			Bearing, Ball-Rear
*	9538-183-001		Not Available	Spacer, Bearing
J5	9545-017-017			Bolt, 1/2 x 3/4
J7	8640-417-002			Nut
*	9803-201-001			Bearing Housing Complete Ass'y (includes bearings, spacer)
J4	9545-159-003		Not Available	Screw 1/2 x 1 1/2
*	9036-159-003			Bearing, Ball Rear