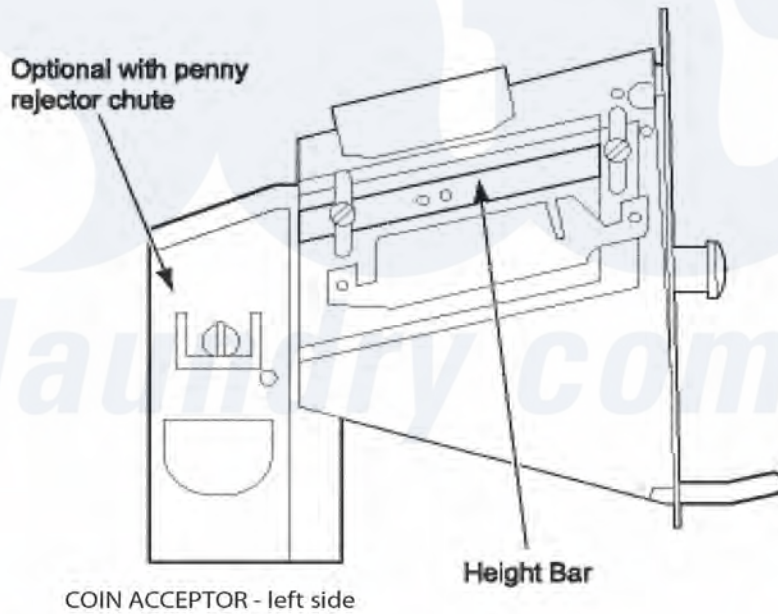
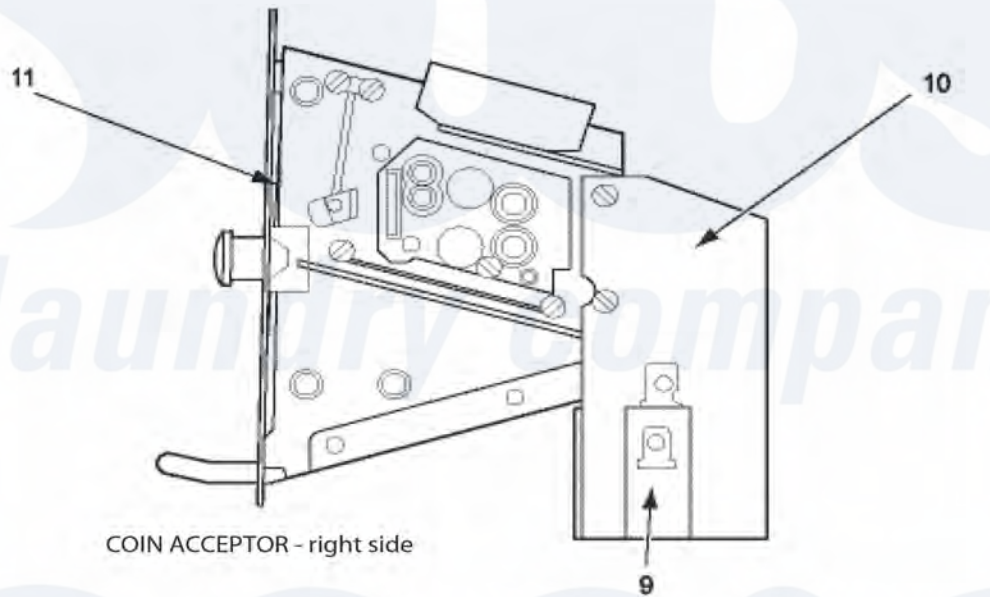


## Dexter DDBD50 (Spring 2011) Coin Handling Group



Dexter Commercial Dexter DDBD50 (Spring 2011) Dryer Parts Parts Diagram Coin Handling Group  
 Click on the part number to view part

Item	Original Part Number	Replaced By	Status	Part Description
*	<a href="#">9942-038-002</a>			Vault, Assembly Gray ( SS front panel )
"	9942-038-004		Not Available	Vault, Assembly Almond
"	9942-038-003		Not Available	Vault, Assembly White
"	<a href="#">9942-038-005</a>			Vault, Assembly Black Large Coin Box (Serial # 222035)
1	<a href="#">9807-099-002</a>			Box Assembly, Coin
*	<a href="#">9982-338-001</a>			Mounting Plate, Large Vault
"	<a href="#">8640-413-004</a>			Nut, Elastic Stop
"	<a href="#">9021-001-010</a>			Acceptor, Coin
"	<a href="#">9545-053-002</a>			Screw
o	<a href="#">0732-126-001</a>			Switch ( for coin acceptor with

9	<a href="#">9132-120-001</a>	extra actuator )
11	<a href="#">9119-025-002</a>	Acceptor Chute Ass'y w/o penny ejector
*	<a href="#">9119-025-001</a>	OPTIONAL Acceptor Chute W/ penny rejector

*the laundry company*<sup>®</sup>

*the laundry company*<sup>®</sup>

*the laundry company*<sup>®</sup>