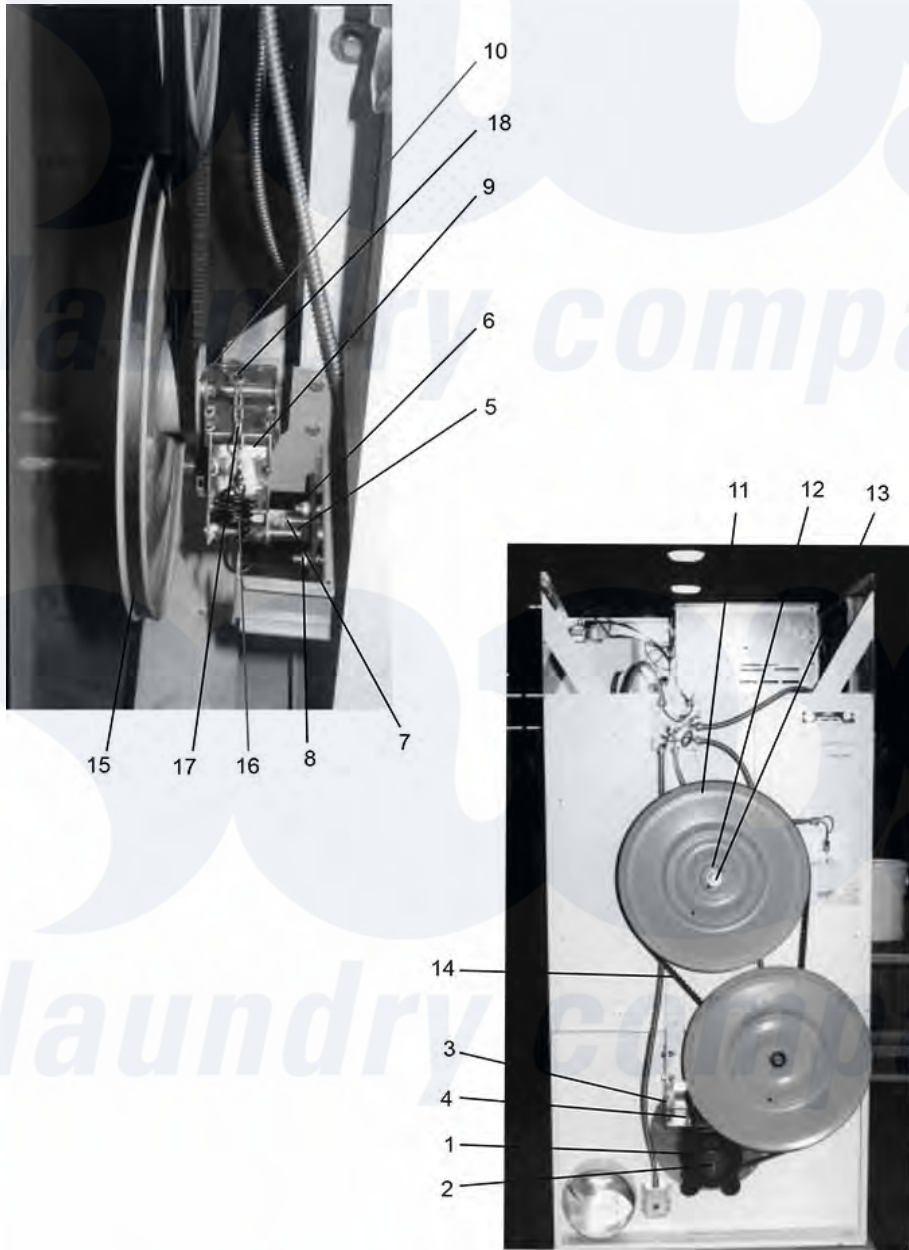


## Dexter DRC55 Drive Group



51

[Dexter Commercial Dexter DRC55 Dryer Parts](#) Parts Diagram Drive Group

[Click on the part number to view part](#)

| Item | Original Part Number         | Replaced By                  | Status | Part Description       |
|------|------------------------------|------------------------------|--------|------------------------|
| 1    | 9376-300-001                 | <a href="#">9732-205-007</a> |        | Motor Kit- 55# Dr      |
| *    | <a href="#">9545-014-004</a> |                              |        | Bolt, Motor Mtg        |
| "    | <a href="#">8640-400-003</a> |                              |        | Nut, Hex               |
| 2    | <a href="#">9453-169-010</a> |                              |        | Pulley, Motor          |
| *    | <a href="#">9545-028-013</a> |                              |        | Screw, Set             |
| 3    | <a href="#">9991-054-004</a> |                              |        | Support AssÖy, Motor   |
| 4    | <a href="#">9545-029-005</a> |                              |        | Screw                  |
| "    | <a href="#">8640-415-004</a> |                              |        | Nut                    |
| *    | <a href="#">9278-038-004</a> |                              |        | Impeller, w/set screws |
| "    | <a href="#">9074-277-001</a> |                              |        | Cover, Impeller        |
| "    | <a href="#">9545-008-001</a> |                              |        | Screw 10-32 x 1/4      |

|    |                              |                              |   |
|----|------------------------------|------------------------------|---|
| 5  | <a href="#">9991-053-001</a> |                              | Support Assy, Intermed Pulley                               |
| 6  | <a href="#">9545-029-010</a> |                              | Bolt, Rd Hd 3/8-16 x 1 1/4                                  |
| 7  | <a href="#">9545-029-003</a> |                              | Bolt, 3/8-16 x 1 1/2  |
| 8  | <a href="#">8640-415-004</a> |                              | Nut   |
| *  | <a href="#">8641-581-035</a> |                              | Washer, Flat  |
| "  | <a href="#">9861-024-003</a> |                              | Arm Assy Tension Complete Front<br>Serial Number #124816    |
| 9  | <a href="#">9861-024-001</a> | <a href="#">9732-165-001</a> | Kit-Int.Pull.&Arm   |
| *  | <a href="#">8641-581-035</a> |                              | Washer, Flat  |
| "  | <a href="#">9487-200-003</a> |                              | Ring-Retaining  |
| "  | <a href="#">9908-042-006</a> |                              | Pulley Assy Intermediate Use<br>After Serial Number #124816 |
| 10 | <a href="#">9908-042-003</a> | <a href="#">9732-165-001</a> | Kit-Int.Pull.&Arm   |
| *  | <a href="#">9036-159-007</a> |                              | Bearing, Ball-Idler Pulley                                  |
| "  | <a href="#">9538-173-001</a> |                              | Spacer, Bearing   |
| "  | <a href="#">8641-581-035</a> |                              | Washer, Flat  |
| "  | <a href="#">9487-200-003</a> |                              | Ring-Retaining  |
| 11 | <a href="#">9908-043-002</a> |                              | Pulley Driven   |
| *  | <a href="#">9487-234-001</a> |                              | Ring, Tolerance   |
| 12 | <a href="#">8641-581-026</a> |                              | Washer, Flat  |
| *  | <a href="#">8641-582-016</a> |                              | Lockwasher  |
| 13 | <a href="#">9545-017-009</a> |                              | Screw, Hx Cap   |
| 14 | <a href="#">9040-077-005</a> |                              | Belt, Final Drive   |
| 15 | <a href="#">9040-077-003</a> |                              | Belt, Motor Drive   |
| 16 | <a href="#">9534-151-000</a> |                              | Spring, Belt Tension  |
| 17 | <a href="#">9099-012-002</a> |                              | Chain, Tension  |
| 18 | <a href="#">9248-022-001</a> | <a href="#">9248-022-002</a> | Hook, Tension   |
| *  | <a href="#">9208-051-001</a> |                              | Guard Drive   |
| "  | <a href="#">9454-688-001</a> |                              | Panel, Side Guard (RH)                                      |
| "  | <a href="#">9454-688-002</a> |                              | Panel, Side guard (LH)                                      |
| "  | <a href="#">9550-175-001</a> |                              | Shield, Motor   |
| "  | <a href="#">9545-008-003</a> |                              | Screw, Gas Valve Mtg Bracket                                |
| "  | <a href="#">9545-008-024</a> |                              | Screw HX Head Tapping (Mounts<br>bracket housing to dryer)  |

*the laundry company*<sup>®</sup>