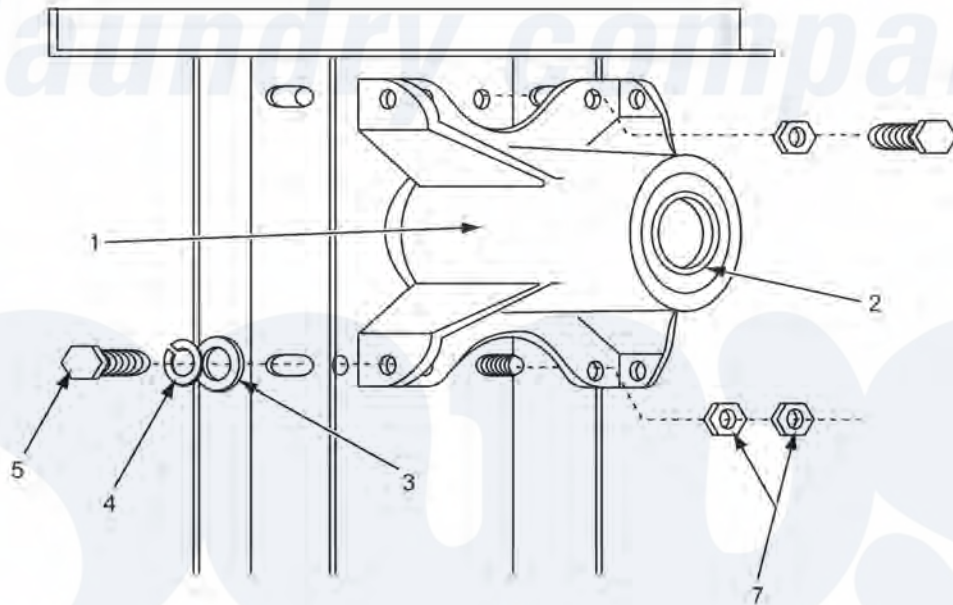


## Dexter SWD Bearing Housing Assembly



Dexter [Commercial Dexter SWD Stacked Washer and Dryer Parts](#) Parts Diagram Bearing Housing Assembly  
 Click on the part number to view part

Item	Original Part Number	Replaced By	Status	Part Description
1	<a href="#">9241-161-002</a>			Housing, Bearing
2	<a href="#">9036-130-001</a>			Bearing, Ball
3	<a href="#">8641-581-009</a>			Washer, Flat
4	<a href="#">8641-582-003</a>			Lockwasher
5	9545-049-002		Not Available	Screw 3/8 x 3/4
6	<a href="#">8640-415-002</a>			Nut, 3/8
7	<a href="#">9545-049-001</a>			Bolt
8	<a href="#">8640-400-002</a>			Nut, 5/16
*	<a href="#">9538-139-002</a>			Spacer, Bearing
"	9552-013-003		Not Available	Shim
"	<a href="#">9803-160-003</a>			Bearing Housing Complete Ass'y (includes bearings, spacer)

