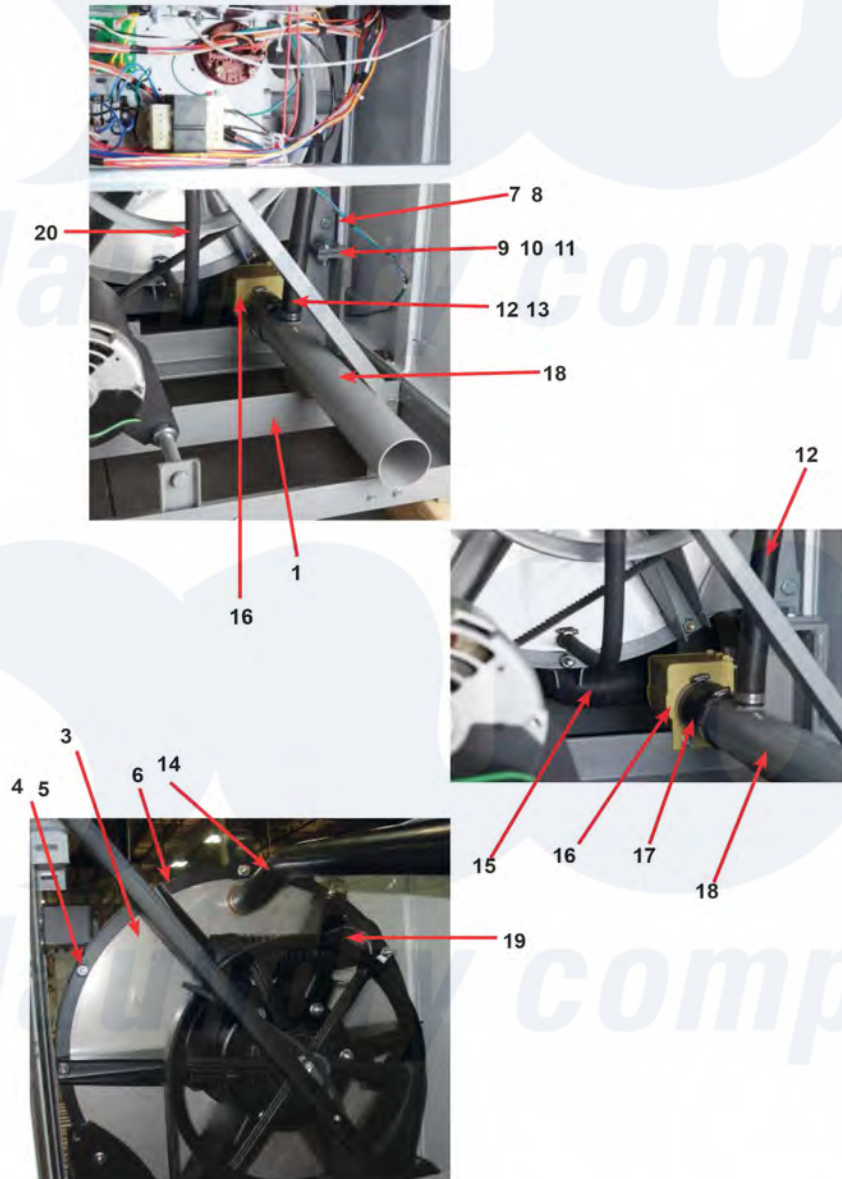


Dexter SWD Chassis and Drain



Dexter [Commercial Dexter SWD Stacked Washer and Dryer Parts](#) Parts Diagram Chassis and Drain
 Click on the part number to view part

Item	Original Part Number	Replaced By	Status	Part Description
1	9945-109-002		Not Available	Base Assy,Frame
*	9930-140-001			Outer Tub Assy
"	9848-120-001			Cylinder Assy
3	9962-013-003		Not Available	Back Ass'y, Tub
4	9545-059-002			Bolt, 7/16" x 2" Tub Back to Tub
5	8640-416-005			Nut, Flange Lock
*	9545-060-001			Screw 5/8-11x1 1/2"
"	8640-425-001			Nut, Hex 5/8-11
"	9950-051-004			Ring Assy, Tub Mtg-Front
"	9545-017-016		Not Available	Bolt, Top Front Ring 5/8" x 3"
"	8640-417-005			Nut, 1/2 - 13

6	9950-056-002		Ring Assy.Clamp Tub Mtg.- Rear
7	9545-060-001		Screw 5/8-11x1/1/2Ó
8	8640-425-001		Nut, Hex 5/8-11
9	9545-060-004		Bolt, 5/8-11 x 2 Tub & Rings to Base, Front & Rear
10	8641-581-038	Not Available	Washer
11	8640-425-001		Nut, Hex 5/8-11
12	9242-449-004		Hose, Overflow to drain
13	8654-117-018		Clamp, Hose overflow to drain
14	9242-463-005		Hose, Overflow Vent Top
*	8654-117-014		Clamp, Hose to Vacuum Breaker
15	9242-464-001		Hose, Tub to Drain Valve
16	9379-187-004		Valve, Drain (includes #2 thru #11)
*	9545-014-012	Not Available	Screw, Valve to Bracket 5/16-18x1 1/4
"	8640-400-003		Nut, Hex
17	9242-457-001		Hose, Drain Valve to Tube
*	8654-117-009		Clamp, Tub End
"	9545-030-002		Screw Tube (Bracket to Base 1/4Bx3/4)
18	9915-122-002	Not Available	Tube Assy, Drain
19	9242-458-001		Hose, Vacuum Breaker to tub
	8654-117-014		Clamp, Hose to Vacuum Breaker
20	9242-175-005		Hose, Pressure Switch

the laundry company®

the laundry company®