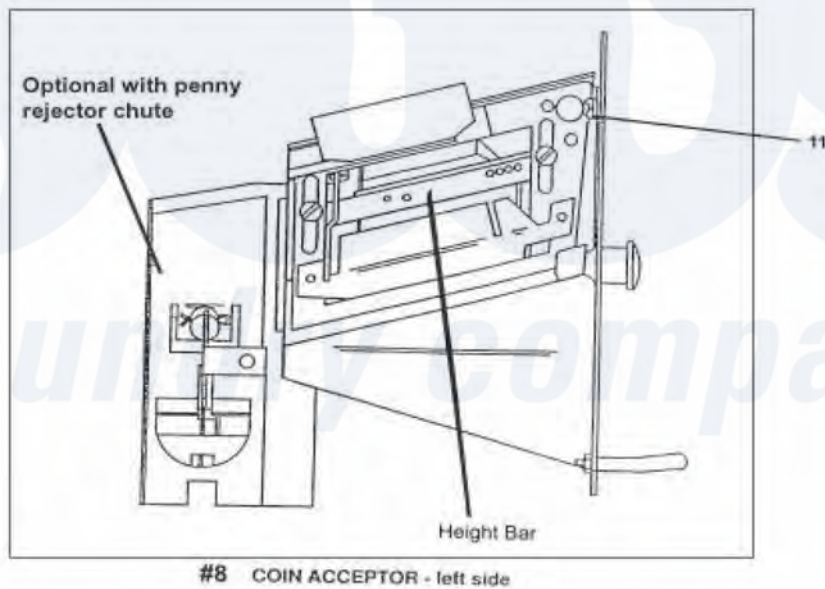
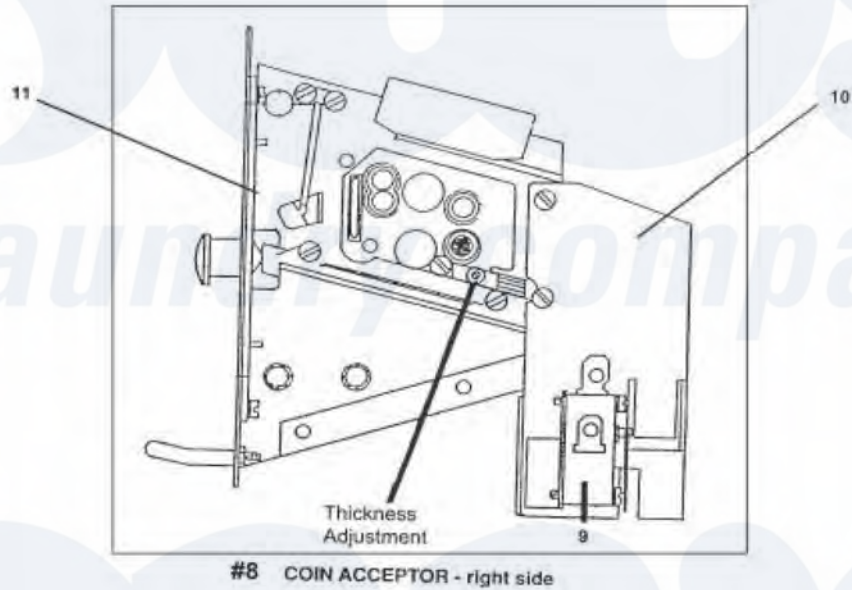


## Dexter SWD Coin Handling Group



Dexter [Commercial Dexter SWD Stacked Washer and Dryer Parts](#) Parts Diagram Coin Handling Group  
 Click on the part number to view part

| Item | Original Part Number         | Replaced By | Status        | Part Description                       |
|------|------------------------------|-------------|---------------|--|
| "    | <a href="#">9627-782-001</a> |             |               | Harness-Main Harness                   |
| *    | <a href="#">9627-783-001</a> |             |               | Harness-Door & Coin Switches           |
| "    | <a href="#">9627-678-001</a> |             |               | Harness, Low Voltage Ignition          |
| "    | <a href="#">8711-011-001</a> |             |               | Transformer Ignition                   |
| "    | <a href="#">9897-026-001</a> |             |               | Terminal Block                         |
| "    | <a href="#">9631-403-002</a> |             |               | Wire, Hi Voltage                       |
| "    | 9345-898-001                 |             | Not Available | Diagram, Wiring                        |
| "    | 9345-897-001                 |             | Not Available | Schematic, Wiring                      |
| 9    | <a href="#">9021-009-001</a> |             |               | Coin Acceptor                          |
| "    | <a href="#">9539-466-005</a> |             |               | Switch, Coin Mech                      |
| *    | <a href="#">9119-025-002</a> |             |               | Acceptor Chute Ass'y w/o penny ejector |

8 [9119-025-001](#)

OPTIONAL Acceptor Chute W/  
penny rejector

\* [9486-145-001](#)

Return, Coin Acceptor

" [9545-053-002](#)

Screw

" [9545-039-002](#)

Screw-Height Bar, 3mm

*the laundry company*<sup>®</sup>

*the laundry company*<sup>®</sup>

*the laundry company*<sup>®</sup>