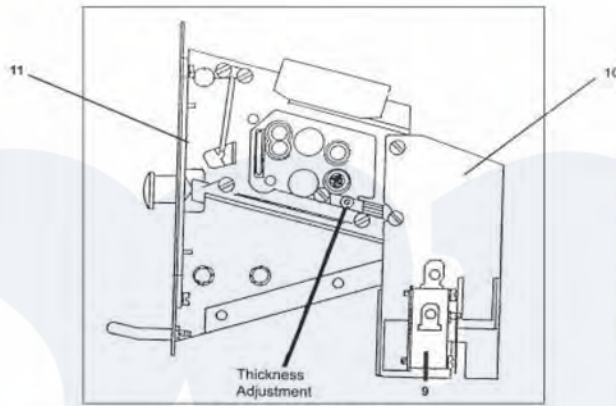


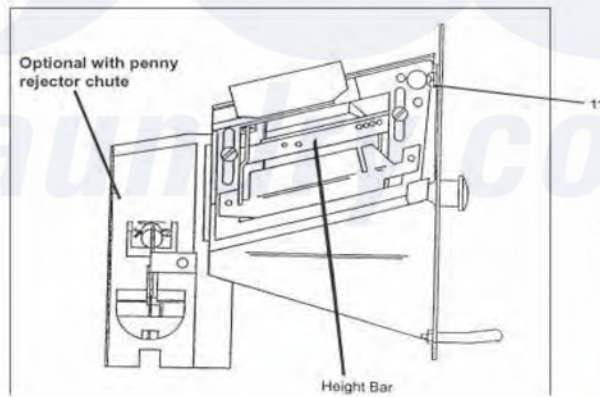
Dexter SWD Labels and Diagrams



Coin Handling Group



#8 COIN ACCEPTOR - right side



Dexter [Commercial Dexter SWD Stacked Washer and Dryer Parts](#) Parts Diagram Labels and Diagrams
 Click on the part number to view part

Item	Original Part Number	Replaced By	Status	Part Description
*	9506-123-001		Not Available	Wiringlabel-diagram
"	9506-122-001		Not Available	Wiringlabel-schematic
"	9506-109-001		Not Available	Wiring Diagram (Easy Card)
"	9506-108-001		Not Available	Wiring Schematic, (Easy Card)
"	8507-330-001		Not Available	Instruction Transient Voltage Suppressor
1	8502-614-005			LABEL-WARNING,HIGHVOLTAGE
2	8502-619-004			Label Fusing & Installation
3	8502-722-001		Not Available	Label Warning Risk of Injury
4	8502-723-001			Label, Door Opening
*	8514-198-001		Not Available	Booklet Owners

5 [8502-687-001](#)

Label Top Dispenser

6 [8502-649-001](#)

Label - Connection Electrical

7 [8502-715-001](#)

Label ÒEXPRESSÓ , Soap
Dispenser

the laundry company[®]

the laundry company[®]

the laundry company[®]