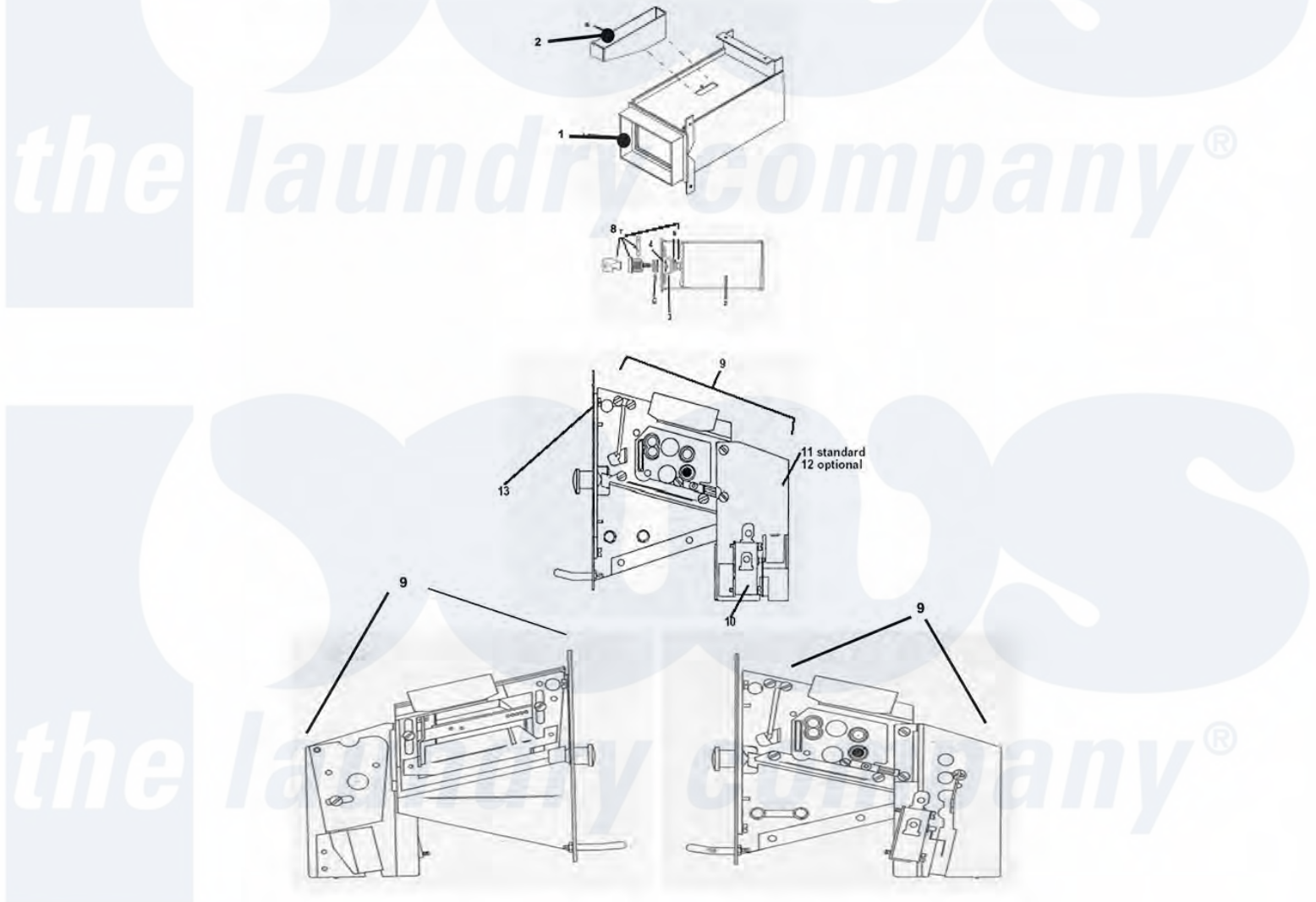


Dexter WCAD18KCS-10 (T-300) Coin Handling Group

Parts Data



122

Dexter [Commercial Dexter WCAD18KCS-10 \(T-300\) Washer Parts](#) Parts Diagram Coin Handling Group
 Click on the part number to view part

Item	Original Part Number	Replaced By	Status	Part Description
1	9942-033-001			Vault, Assy
"	9545-008-026			Screw, Vault Mtg
"	9545-008-031			Screw
2	9119-031-001			Coin Chute Assy.
"	9545-008-001			Screw 10-32 x 1/4
8	9732-122-001	9807-099-001		Box Assembly Coin Vault ESD W/lock & Key Chrome
3	9349-033-001			Latch, Coin Box
4	8641-569-002			Washer, Wave
5	8641-583-001			Washer, Keeper
6	8641-581-008			Washer, Spacer- Thick
"	8641-581-010			Washer, Spacer- Thin

7	8650-012-002	Lock, Coin Box (w/key not included with 9732-122-001)
11	9119-025-002	Acceptor Chute Ass'y w/o penny ejector
--	9545-020-004	Screw, Acceptor Mtg
"	8640-424-002	Nut
10	9732-126-001	Switch (for coin acceptor with extra actuator)
12	9119-025-001	OPTIONAL Acceptor Chute W/ penny rejector
13	9486-133-001	Button Coin Return Retainer
9	9021-001-010	Acceptor, Coin