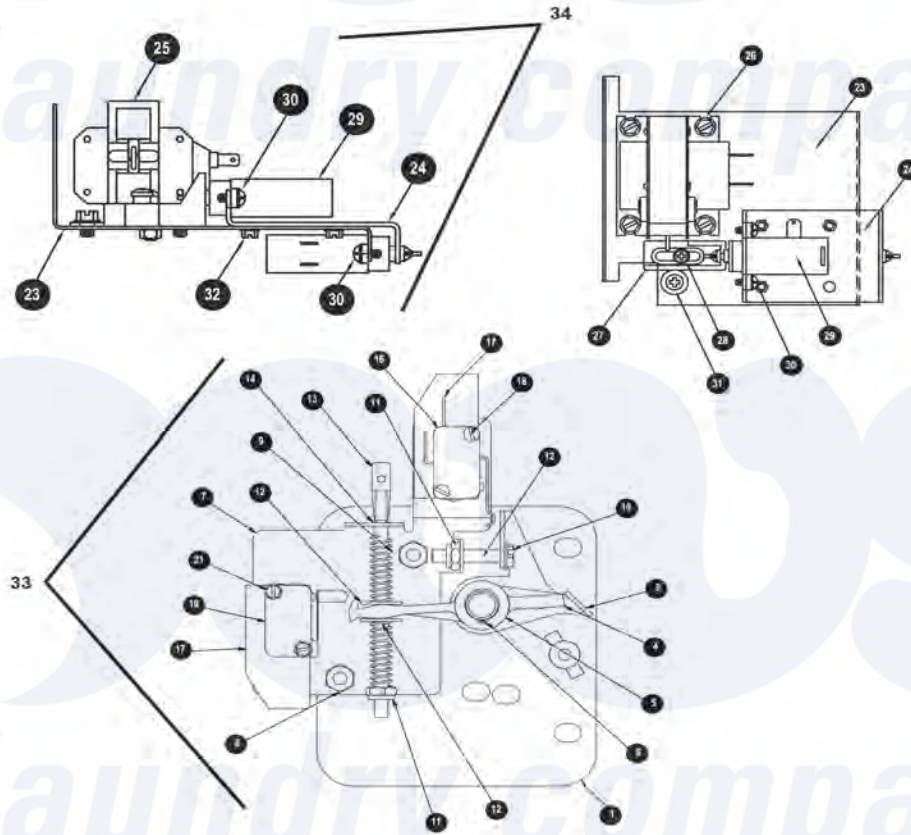


## Dexter WCAD20KCS-12 (T300) Door Lock Parts



[Dexter Commercial Dexter WCAD20KCS-12 \(T300\) Washer Parts](#) Parts Diagram Door Lock Parts  
 Click on the part number to view part

Item	Original Part Number	Replaced By	Status	Part Description
33	<a href="#">9885-024-001</a>			Lock Assy, Complete (#1-22)(includes #1 thru #22)
1	<a href="#">9982-346-001</a>			Plate Assy, Door Lock
2	<a href="#">8641-581-030</a>			Washer, Flat
3	<a href="#">9008-005-001</a>			Actuator, Latching Switch
4	<a href="#">9450-002-004</a>			Pawl, Locking
5	<a href="#">8641-569-003</a>			Washer, Spring
6	<a href="#">9487-200-004</a>			Ring, Retaining
7	9029-163-001		Not Available	Bracket Switch
8	<a href="#">8640-413-002</a>			Nut, Hinge to Door
9	<a href="#">9534-364-002</a>			Spring, Actuating
10	<a href="#">9545-012-020</a>			Screw, Hx. 10-32 x 1 0

11	<a href="#">8640-413-004</a>		Nut, Elastic Stop
12	<a href="#">9534-364-001</a>		Spring, Return
13	<a href="#">9451-193-001</a>		Pin, Guide
14	<a href="#">9487-200-005</a>		Ring, Retaining
15	<a href="#">8641-581-031</a>		Washer
16	<a href="#">9539-461-008</a>		Switch, Latching Sensing
17	<a href="#">9550-169-003</a>		Shield, Switch
18	<a href="#">9545-020-001</a>		Screw, Switch Mtg
"	<a href="#">8640-401-001</a>		Nut, Special Twin
19	<a href="#">9539-461-007</a>		Switch-Micro
20	<a href="#">9008-006-003</a>		Actuator, Switch Locking
21	<a href="#">9545-020-003</a>		Screw 4-40 x 1 1/8"
"	<a href="#">8640-401-001</a>		Nut, Special Twin
22	<a href="#">9451-181-004</a>		Pin, Dowel
*	<a href="#">9552-037-001</a>		Shim, Door Lock, Thin
"	9545-018-004	Not Available	Screw, Lock mtg 1/4" x 3/4"
"	<a href="#">8641-582-007</a>		Lockwasher 1/4"
34	9922-011-001	<a href="#">9922-011-001P</a>	Solenoid Assy.
23	<a href="#">9029-073-001</a>		Bracket, (Door Locking Solenoid)
24	<a href="#">9985-169-001</a>		Bracket Assy, Solenoid Slide
25	<a href="#">9536-074-001</a>		Solenoid 120V 60 hz
26	<a href="#">9545-008-001</a>		Screw 10-32 x 1/4"
27	9540-036-002	Not Available	Stop, Door Lock Solenoid
28	<a href="#">9545-061-001</a>		Screw, Shoulder
"	<a href="#">8640-411-002</a>		NUT-ELASTICSTOP,#6-32
29	<a href="#">9586-001-001</a>		Thermoactuator 120 V
30	<a href="#">9545-031-011</a>		Screw #6 x 5/16"
31	<a href="#">9538-157-004</a>		Spacer, Plastic
"	<a href="#">9538-166-004</a>		Spacer, Metal
"	<a href="#">9545-010-001</a>		Screw, Cross Recessed
"	<a href="#">8640-412-005</a>		NUT-HEXKEPS,#8-32
*	<a href="#">8640-412-005</a>		NUT-HEXKEPS,#8-32
"	<a href="#">9497-225-004</a>		Rod, Pull