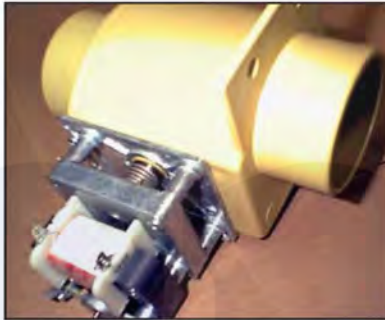
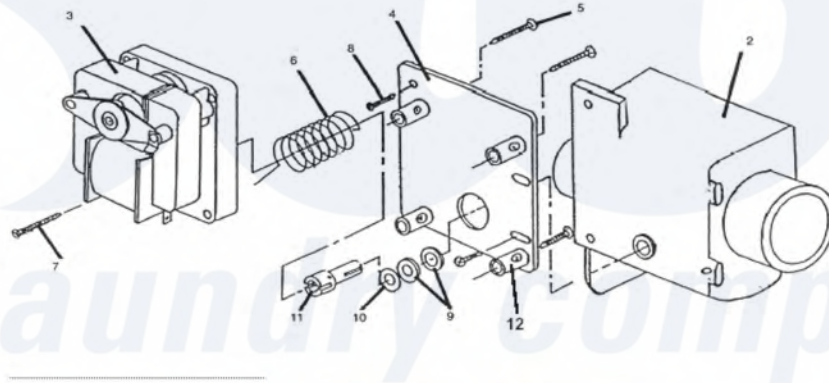


## Dexter WCAD30KCS-12SZ (T-450) Drain Valve Group Parts



Dexter [Commercial Dexter WCAD30KCS-12SZ \(T-450\) Washer Parts](#) Parts Diagram Drain Valve Group Parts  
 Click on the part number to view part

Item	Original Part Number	Replaced By	Status	Part Description
1	<a href="#">9379-187-004</a>			Valve, Drain (includes #2 thru #11)
2	<a href="#">9064-070-001</a>			Body, Valve (w/ball)
3	<a href="#">9914-137-011</a>			Motor & Gear Train (complete)
4	<a href="#">9452-538-001</a>			Plate, Motor Mtg
5	<a href="#">8639-994-001</a>			Screw
6	<a href="#">9534-339-001</a>			Spring, Drive
7	<a href="#">9545-054-001</a>			Screw
8	9545-054-002		Not Available	Screw
9	<a href="#">9532-134-001</a>			Seal, V Packer
10	<a href="#">8641-584-001</a>			Washer
11	<a href="#">9451-196-001</a>			Pin, Main Drive

12 [9538-149-001](#)

Plate (spacers needed for replacement motor mtg. plate)

13 9089-036-004

Not Available

Stator and Coil Assembly

\* 9379-187-001

Not Available

Valve Drain before Serial # 482181

" [9914-137-011](#)

Motor & Gear Train (complete)

*the laundry company*<sup>®</sup>

*the laundry company*<sup>®</sup>

*the laundry company*<sup>®</sup>