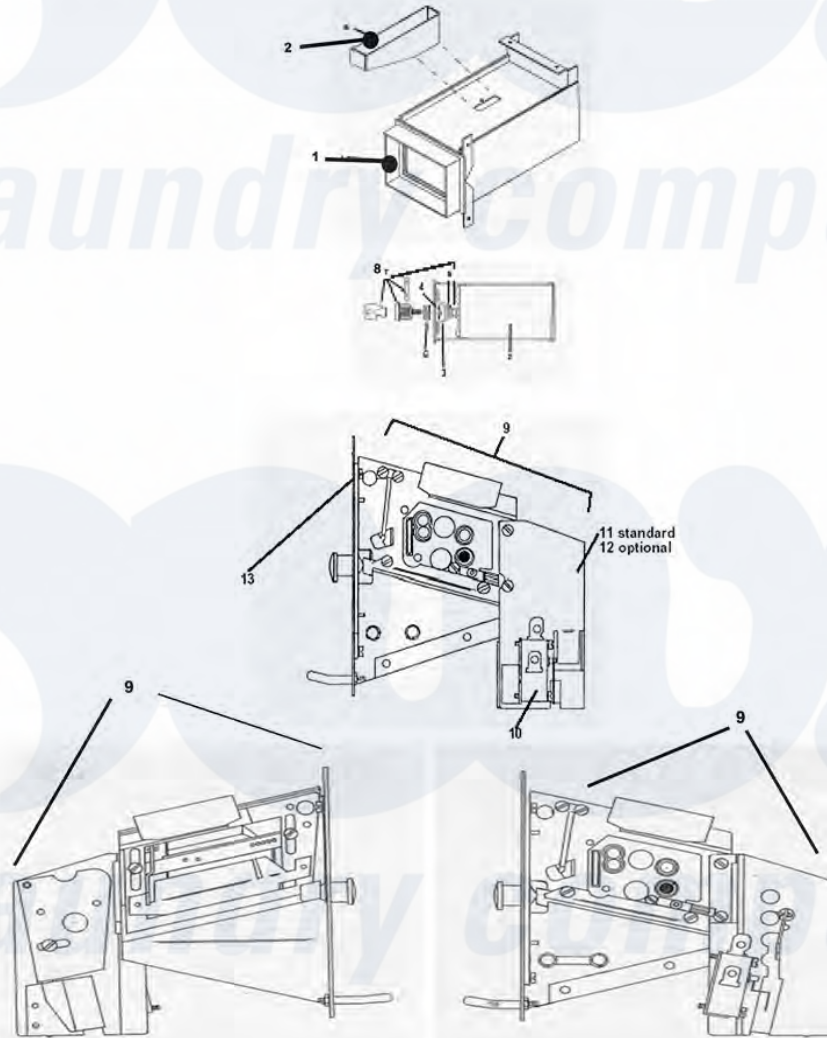


# Dexter WCAD55KCS-12 (T-900) Coin Handling Group

## Parts Data



122

Dexter [Commercial Dexter WCAD55KCS-12 \(T-900\) Washer Parts](#) Parts Diagram Coin Handling Group  
 Click on the part number to view part

Item	Original Part Number	Replaced By	Status	Part Description
1	<a href="#">9942-032-001</a>			Vault, Assy
"	<a href="#">9545-008-026</a>			Screw, Vault Mtg
"	<a href="#">9545-008-031</a>			Screw
2	<a href="#">9119-029-001</a>			Coin Chute Assy.
"	<a href="#">9545-008-001</a>			Screw 10-32 x 1/4
8	9732-122-001	<a href="#">9807-099-001</a>		Box Assembly Coin Vault ESD W/lock & Key Chrome
3	<a href="#">9349-033-001</a>			Latch, Coin Box
4	<a href="#">8641-569-002</a>			Washer, Wave
5	<a href="#">8641-583-001</a>			Washer, Keeper
6	<a href="#">8641-581-008</a>			Washer, Spacer- Thick
"	<a href="#">8641-581-010</a>			Washer, Spacer- Thin

7 [8650-012-002](#)

Lock, Coin Box (w/key not included with 9732-122-001)

11 [9119-025-002](#)

Acceptor Chute Ass'y w/o penny ejector

-- [9545-020-004](#)

Screw, Acceptor Mtg

" [8640-424-002](#)

Nut

10 [9732-126-001](#)

Switch ( for coin acceptor with extra actuator )

12 [9119-025-001](#)

OPTIONAL Acceptor Chute W/ penny rejector

13 [9486-133-001](#)

Button Coin Return Retainer

9 [9021-001-010](#)

Acceptor, Coin

*the laundry company*®

*the laundry company*®

*the laundry company*®