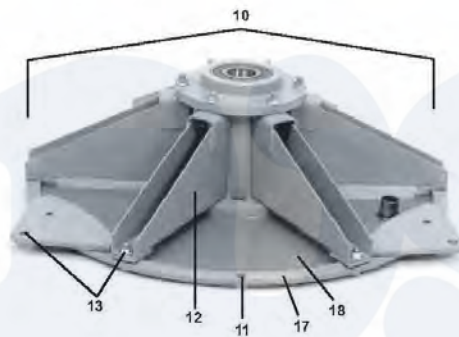
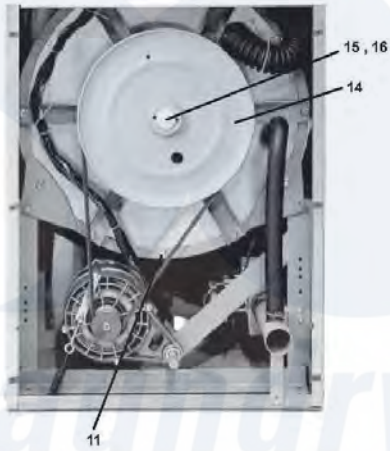
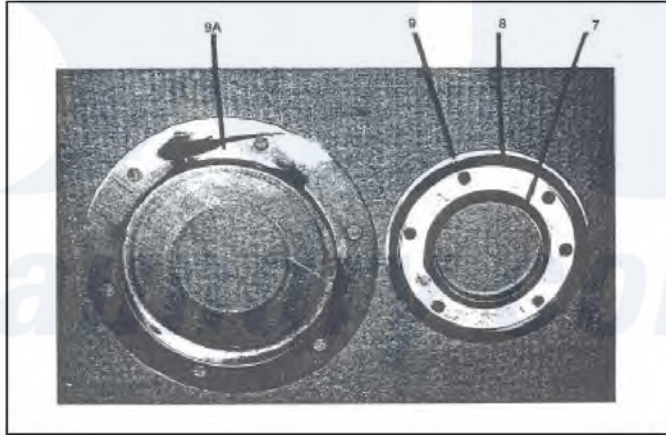


Dexter WCN18AB Bearing Housing And Pulley Group



Dexter [Commercial Dexter WCN18AB Washer Parts](#) Parts Diagram Bearing Housing And Pulley Group
 Click on the part number to view part

Item	Original Part Number	Replaced By	Status	Part Description
*	9848-111-001	9732-119-001		Cylinder Ass'y
"	9803-182-001			Housing, Bearing- Assembly (items #2-#6)
2	9241-174-002			Housing, Bearing
3	9036-159-001			Bearing, Ball-Rear
4	9036-159-003			Bearing, Ball Rear
5	9538-161-001			Spacer, Bearing
6	9487-238-002			Ring, Bearing Retainer
7	9532-140-005			Seal, Secondary
8	9532-140-004			Seal, Primary
9	9950-047-001			Ring, Seal Mounting
"	9950-054-001	9732-137-001		Back Assy, Tub 2 piece

10	9962-012-001	9732-137-001	Back Assy, Tub 2 piece
11	9545-017-009		Screw, Hx Cap
"	8640-417-002		Nut
"	8641-582-016		Lockwasher
12	9991-049-002		Support Arm Assy, Bearing Housing
13	9545-029-003		Bolt, 3/8-16 x 1 1/2
"	8640-415-004		Nut
14	9908-041-002		Pulley, Driven
15	9487-234-002		Tolerance Ring
16	8641-581-026		Washer, Flat
"	9545-017-009		Screw, Hx Cap
"	8641-582-016		Lockwasher
17	9950-046-002		Ring Assy.Clamp Tub Mtg.- Rear
18	9050-031-005	Not Available	Tub Back only

