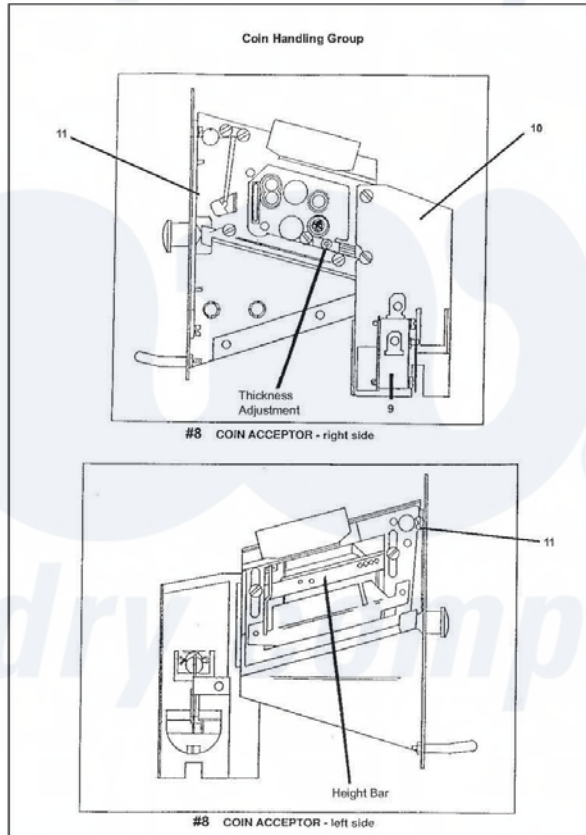
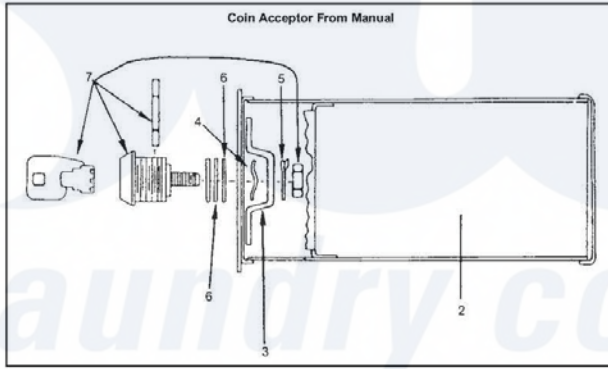


# Dexter WCN18AB Coin Handling Group



[Dexter Commercial Dexter WCN18AB Washer Parts](#) Parts Diagram Coin Handling Group  
 Click on the part number to view part

Item	Original Part Number	Replaced By	Status	Part Description
*	<a href="#">9942-024-007</a>			Vault, Assy
"	<a href="#">9545-008-026</a>			Screw, Vault Mtg
2	9732-122-001	<a href="#">9807-099-001</a>		Box Assembly Coin Vault ESD W/lock & Key Chrome
3	<a href="#">9349-033-001</a>			Latch, Coin Box
4	<a href="#">8641-569-002</a>			Washer, Wave
5	<a href="#">8641-583-001</a>			Washer, Keeper
6	<a href="#">8641-581-008</a>			Washer, Spacer- Thick
"	<a href="#">8641-581-010</a>			Washer, Spacer- Thin
7	<a href="#">8650-012-002</a>			Lock, Coin Box (w/key not included with 9732-122-001)
8	<a href="#">9021-001-010</a>			Acceptor, Coin

*	<a href="#">9545-020-004</a>	Screw, Acceptor Mtg
"	<a href="#">8640-424-002</a>	Nut
9	<a href="#">9732-126-001</a>	Switch ( for coin acceptor with extra actuator )
10	<a href="#">9119-025-002</a>	Acceptor Chute Ass'y w/o penny ejector
11	<a href="#">9486-133-001</a>	Button Coin Return Retainer

*the laundry company*<sup>®</sup>

*the laundry company*<sup>®</sup>

*the laundry company*<sup>®</sup>