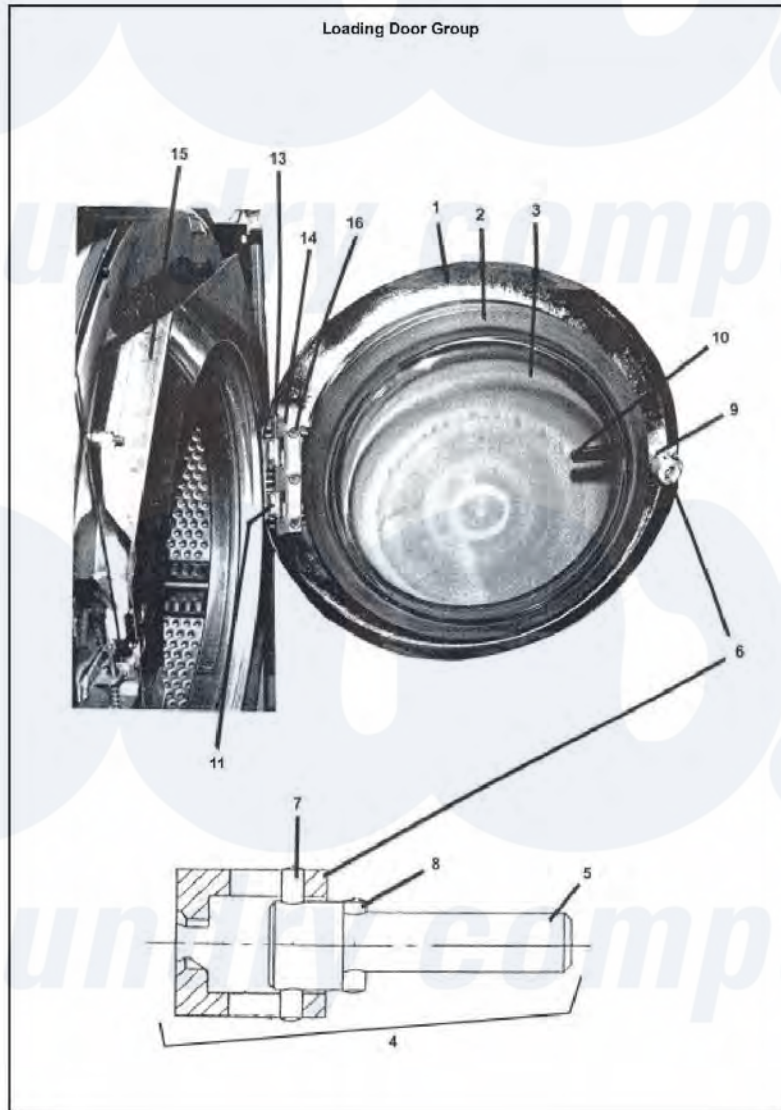


Dexter WCN18AB Loading Door Group



53

Dexter Commercial Dexter WCN18AB Washer Parts Parts Diagram Loading Door Group
 Click on the part number to view part

Item	Original Part Number	Replaced By	Status	Part Description
*	9960-259-003	9732-177-001		Kit-18# Door Assy
1	9487-245-001	9732-175-001		Kit-Door Ring 18#
2	9206-411-002			Gasket, Loading Door
3	9635-018-001			Window, Loading Door
4	9913-134-003	9913-134-003P		Shaft assy.
5	9537-195-002			Shaft, Door Locking
6	9095-040-001	9095-040-002		Cam, Locking
7	9451-181-005			Pin, Groove (1 1/4)
8	9451-181-004			Pin, Dowel
9	9534-360-002			Spring, Lock Cam
10	9244-080-003			Handle, Door

*	9451-181-006		Pin, Door Handle (groove)
11	9955-029-001		Hinge Assy, Loading Door
*	9545-014-009		Screw, Hinge Mtg 5/16" x 3/4"
"	8641-582-009		Lockwasher, Circuit Board
"	9552-036-001		Shim, Loading Door Hinge, Thin
"	9552-036-002	Not Available	Shim, Loading Door Hinge, Thick AR AR
13	9451-184-003	9781-001-001	Loading Door Hinge Pin
*	8649-031-000		Ring, Retaining (snap ring ext)
14	9079-122-001		Clamp, Loading Door Hinge Pin
16	9545-056-001		Screw, Loading Door Mtg (5/16" TF)
15	9487-251-001		Ring, Masking
*	8640-413-002		Nut, Hinge to Door
"	9732-139-002		Kit, Door Gasket Expander (large)
"	9732-139-001		Kit, Door Gasket Expander (small)

