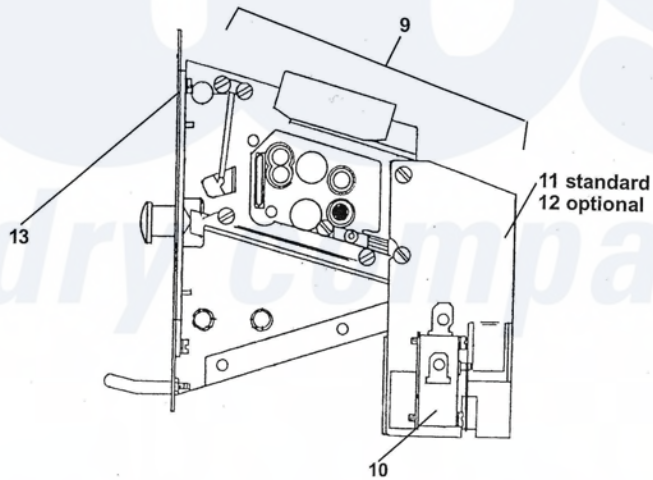
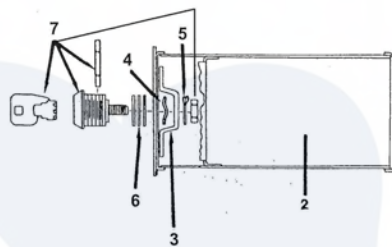
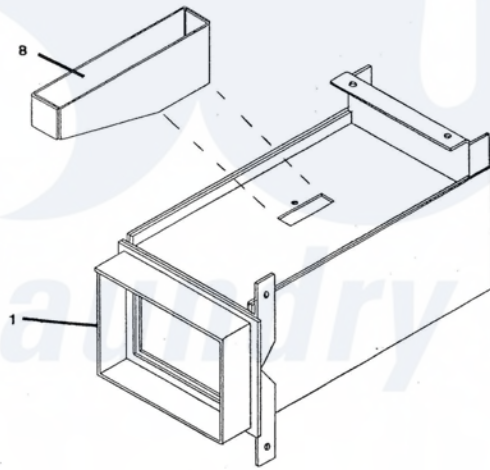


## Dexter WCN25AB Coin Handling Group



Dexter Commercial Dexter WCN25AB Washer Parts Parts Diagram Coin Handling Group  
 Click on the part number to view part

Item	Original Part Number	Replaced By	Status	Part Description
1	<a href="#">9942-026-005</a>			Vault, Assy
*	<a href="#">9545-008-026</a>			Screw, Vault Mtg
2	9732-122-001	<a href="#">9807-099-001</a>		Box Assembly Coin Vault ESD W/lock & Key Chrome
3	<a href="#">9349-033-001</a>			Latch, Coin Box
4	<a href="#">8641-569-002</a>			Washer, Wave
5	<a href="#">8641-583-001</a>			Washer, Keeper
6	<a href="#">8641-581-008</a>			Washer, Spacer- Thick
"	<a href="#">8641-581-010</a>			Washer, Spacer- Thin
7	<a href="#">8650-012-003</a>			Lock and Key, Control
8	9940-014-004	<a href="#">9119-029-001</a>		Coin Chute Assy.
*	<a href="#">9545-008-001</a>			Screw 10-32 x 1/4

11	<a href="#">9119-025-002</a>	Acceptor Chute Ass'y w/o penny ejector
9	<a href="#">9021-001-010</a>	Acceptor, Coin
*	9545-020-002 <a href="#">9545-020-004</a>	Screw, Acceptor Mtg
"	<a href="#">8640-424-002</a>	Nut
10	<a href="#">9732-126-001</a>	Switch ( for coin acceptor with extra actuator )
12	<a href="#">9119-025-001</a>	OPTIONAL Acceptor Chute W/ penny rejector
13	<a href="#">9486-133-001</a>	Button Coin Return Retainer

*the laundry company*®

*the laundry company*®

*the laundry company*®