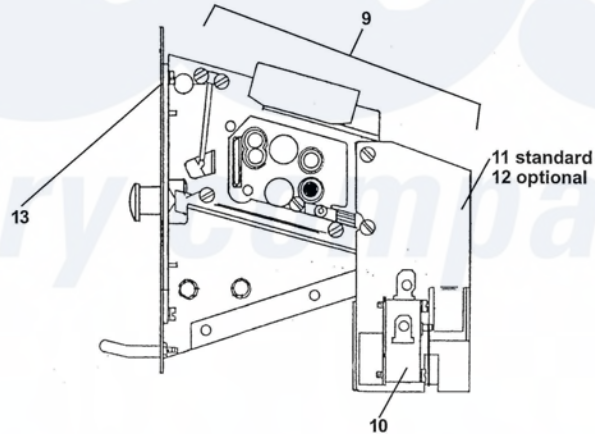
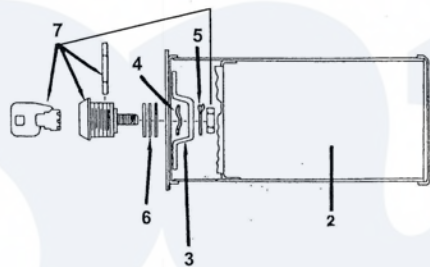
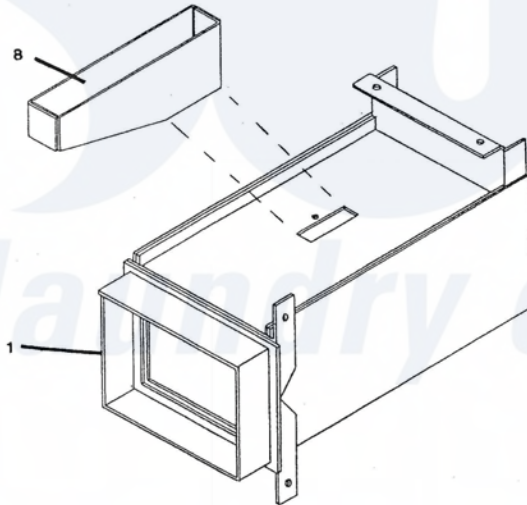


Dexter WCN40AA (T600) Coin Handling Group



Dexter Commercial Dexter WCN40AA (T600) Washer Parts Parts Diagram Coin Handling Group
 Click on the part number to view part

Item	Original Part Number	Replaced By	Status	Part Description
1	9942-026-006			Vault, Assy
*	9545-008-026			Screw, Vault Mtg
2	9732-122-001	9807-099-001		Box Assembly Coin Vault ESD W/lock & Key Chrome
3	9349-033-001			Latch, Coin Box
4	8641-569-002			Washer, Wave
5	8641-583-001			Washer, Keeper
6	8641-581-008			Washer, Spacer- Thick
"	8641-581-010			Washer, Spacer- Thin
7	8650-012-003			Lock and Key, Control
8	9940-014-004	9119-029-001		Coin Chute Assy.
*	9545-008-001			Screw 10-32 x 1/4

11	9119-025-002	Acceptor Chute Ass'y w/o penny ejector
9	9021-001-010	Acceptor, Coin
*	9545-020-002 9545-020-004	Screw, Acceptor Mtg
"	8640-424-002	Nut
10	9732-126-001	Switch (for coin acceptor with extra actuator)
12	9119-025-001	OPTIONAL Acceptor Chute W/ penny rejector
13	9486-133-001	Button Coin Return Retainer

the laundry company®

the laundry company®

the laundry company®