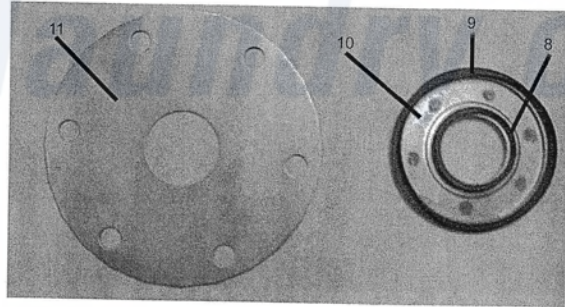
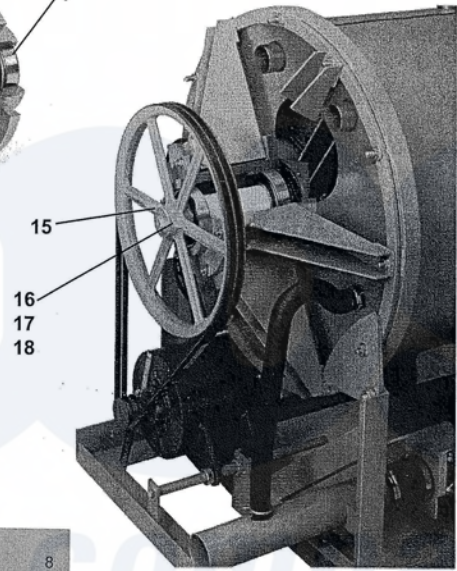
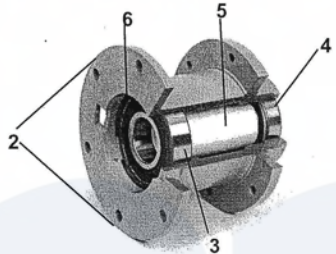
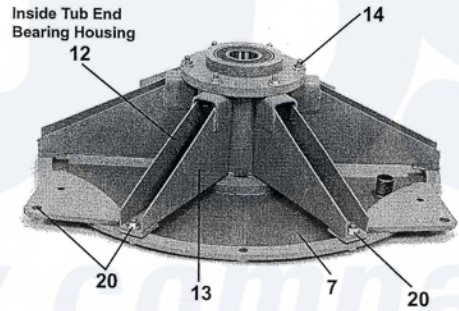


Dexter WCN40AA (T600) Cylinder, Water Seals & Bearing Housing Group



Dexter [Commercial Dexter WCN40AA \(T600\) Washer Parts](#) Parts Diagram Cylinder, Water Seals & Bearing Housing Group
 Click on the part number to view part

Item	Original Part Number	Replaced By	Status	Part Description
1	9848-113-001	9732-121-001		Cylinder Ass'y
*	9803-186-001			Housing, Bearing- Assembly (items #2-#6)
2	9241-180-002			Housing, Bearing
3	9036-159-005			Bearing, Front (LARGE)
4	9036-159-004			Bearing, Rear (SMALL)
5	9538-167-001			Spacer, Bearing
6	9487-238-003			Ring, Bearing Retainer
7	9732-137-003			Back Assy, Tub 2 piece
8	9532-140-006			Seal, Secondary
9	9532-140-002			Seal, Primary
10	9950-048-001			Ring, Seal Mounting

11	9487-261-003	Tub Back Mating Ring
12	9545-060-001	Screw 5/8-11x1 1/2
"	8640-425-001	Nut, Hex 5/8-11
"	8641-582-018	Lockwasher
13	9991-056-002	Support Arm Assy, Bearing Housing
14	9545-059-003	Screw, 7/16-14x1 1/2
"	8640-416-005	Nut, Flange Lock
15	9453-168-003	Pulley, Driven
16	9487-234-003	Tolerance Ring
17	8641-581-032	Washer, Flat 5/8x2 1/4
18	9545-060-001	Screw 5/8-11x1 1/2
19	8641-582-018	Lockwasher
20	9545-059-002	Bolt, 7/16 x 2 Tub Back to Tub

