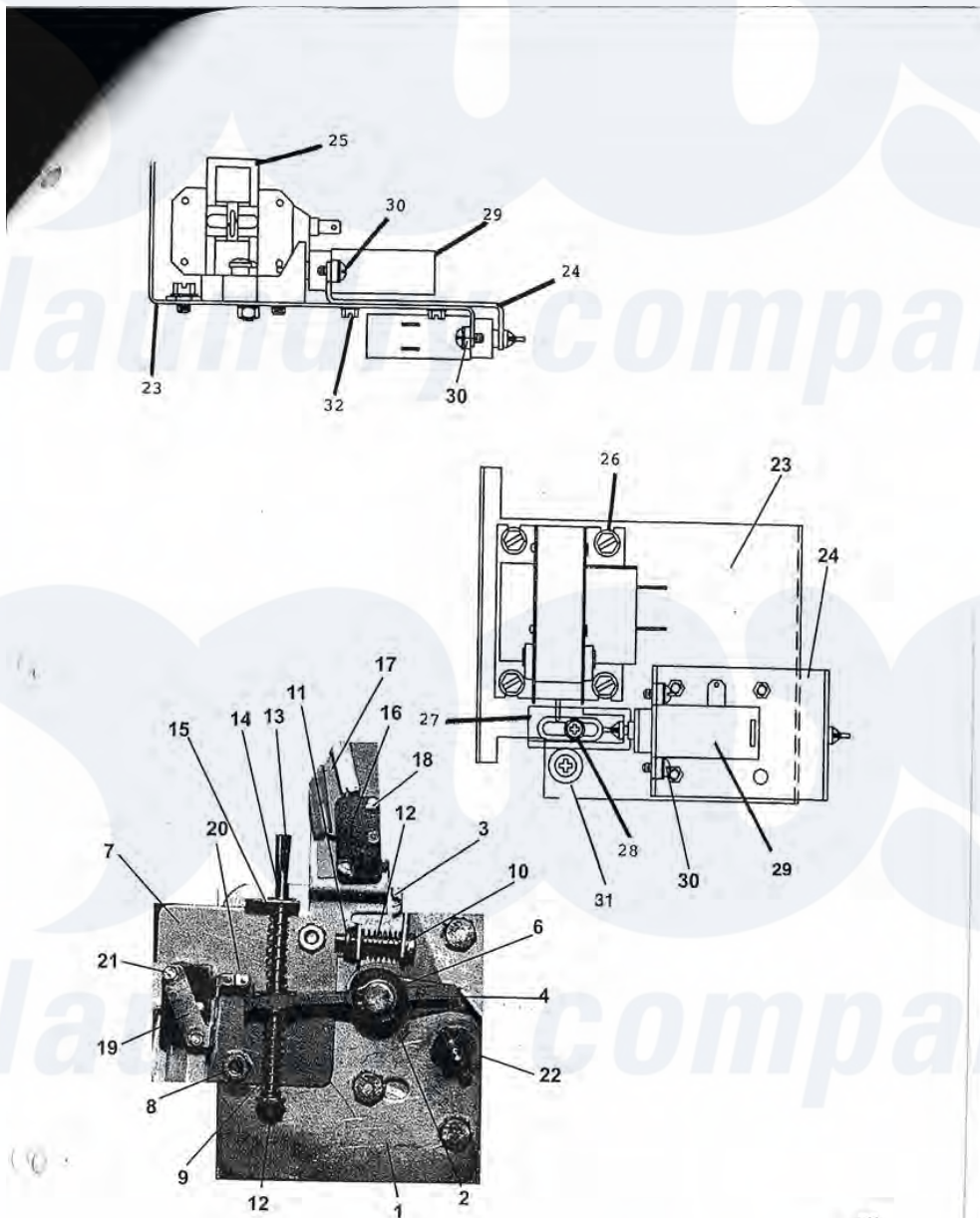


## Dexter WCN40AA (T600) Door Lock Group



77

Dexter Commercial Dexter WCN40AA (T600) Washer Parts Parts Diagram Door Lock Group  
 Click on the part number to view part

Item	Original Part Number	Replaced By	Status	Part Description
*	9885-023-001	<a href="#">9885-024-001</a>		Lock Assy, Complete (#1-22)(includes #1 thru #22)
1	<a href="#">9982-284-001</a>			Plate Assy, Door Lock
2	<a href="#">8641-581-030</a>			Washer, Flat
3	<a href="#">9008-005-001</a>			Actuator, Latching Switch
4	<a href="#">9450-002-002</a>			Pawl, Locking
5	<a href="#">8641-569-003</a>			Washer, Spring
6	<a href="#">9487-200-004</a>			Ring, Retaining
7	9029-035-001		Not Available	Bracket, Switch
8	<a href="#">8640-413-002</a>			Nut, Hinge to Door
9	<a href="#">9534-364-002</a>			Spring, Actuating
10	<a href="#">9545-012-020</a>			Screw, Hx. 10-32 x 1 0

11	<a href="#">8640-413-004</a>		Nut, Elastic Stop
12	<a href="#">9534-364-001</a>		Spring, Return
13	<a href="#">9451-193-001</a>		Pin, Guide
14	<a href="#">9487-200-005</a>		Ring, Retaining
15	<a href="#">8641-581-031</a>		Washer
16	<a href="#">9539-461-008</a>		Switch, Latching Sensing
17	<a href="#">9550-169-003</a>		Shield, Switch
18	<a href="#">9545-020-001</a>		Screw, Switch Mtg
"	<a href="#">8640-401-001</a>		Nut, Special Twin
19	<a href="#">9539-461-007</a>		Switch-Micro
20	<a href="#">9008-006-002</a>		Actuator, Switch
21	<a href="#">9545-020-003</a>		Screw 4-40 x 1 1/8"
"	<a href="#">8640-401-001</a>		Nut, Special Twin
22	<a href="#">9451-181-004</a>		Pin, Dowel
*	<a href="#">9552-037-001</a>		Shim, Door Lock, Thin
"	9552-037-002	Not Available	Shim, Door Lock, Thick AR AR
"	9545-018-004	Not Available	Screw, Lock mtg 1/4"-20 x 3/4"
"	<a href="#">8641-582-007</a>		Lockwasher 1/4
"	9922-011-001	<a href="#">9922-011-001P</a>	Solenoid Assy.
23	<a href="#">9029-073-001</a>		Bracket, (Door Locking Solenoid)
24	<a href="#">9985-169-001</a>		Bracket Assy, Solenoid Slide
25	<a href="#">9536-074-001</a>		Solenoid 120V 60 hz
26	<a href="#">9545-008-001</a>		Screw 10-32 x 1/4
27	9540-033-002	<a href="#">9540-036-001</a>	Stop, Door Lock Solenoid
28	<a href="#">9545-061-001</a>		Screw, Shoulder
"	<a href="#">8640-411-003</a>		Nut, Switch Locking
29	<a href="#">9586-001-001</a>		Thermoactuator 120 V
30	<a href="#">9545-031-011</a>		Screw #6 x 5/16"
31	<a href="#">9538-157-004</a>		Spacer, Plastic
"	<a href="#">9538-166-004</a>		Spacer, Metal
"	<a href="#">9545-010-001</a>		Screw, Cross Recessed
"	<a href="#">8640-412-005</a>		NUT-HEXKEPS,#8-32
32	<a href="#">8640-411-003</a>		Nut, Switch Locking
*	<a href="#">8640-413-002</a>		Nut, Hinge to Door
"	<a href="#">9497-225-003</a>		Rod, Pull