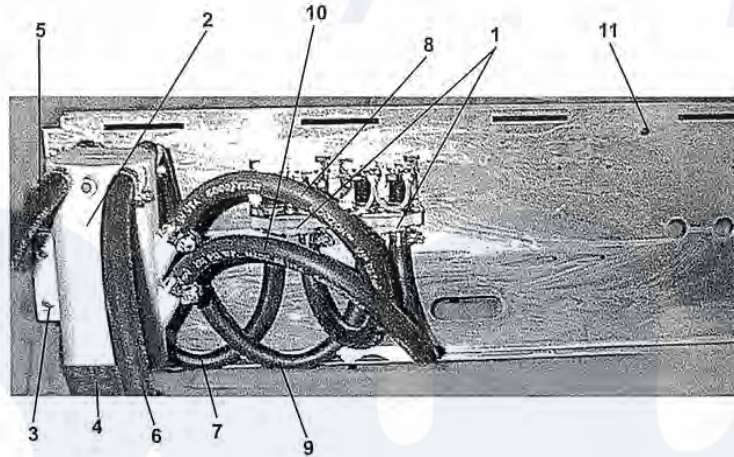


Dexter WCN40AA (T600) Water Inlet Group



Dexter [Commercial Dexter WCN40AA \(T600\) Washer Parts](#) Parts Diagram Water Inlet Group
 Click on the part number to view part

| Item | Original Part Number | Replaced By | Status | Part Description |
|------|------------------------------|------------------------------|--------|---|
| 1 | 9379-183-003 | | | Valve, Water Inlet (dual outlet) (see Water Inlet Valve Breakdown for individual parts) |
| * | 9545-008-026 | | | Screw, Vault Mtg |
| " | 8640-399-006 | 8640-399-009 | | Nut, Spring |
| 2 | 9610-001-001 | | | Vaccum Breaker ALL |
| * | 9029-077-001 | | | Bracket, Vacuum Breaker |
| 3 | 9545-008-026 | | | Screw, Vault Mtg |
| 4 | 9242-458-002 | | | Hose, Vacuum Brkr. to Tub |
| * | 8654-117-014 | | | Clamp, Hose to Vacuum Breaker |
| " | 8654-117-009 | | | Clamp, Tub End |
| 5 | 9242-458-002 | | | Hose, Vacuum Breaker to Wash |

| | | | |
|----|------------------------------|-------------------------------|--------------------------------|
| 5 | 9242-453-000 | | Dispenser 26 |
| 6 | 9242-453-009 | Not Available | Hose, (valve to vac. Brkr) 23Ó |
| 7 | 9242-453-020 | 9242-453-020P | Hose - 18" |
| 8 | 9242-453-020 | 9242-453-020P | Hose - 18" |
| 9 | 9242-453-020 | 9242-453-020P | Hose - 18" |
| 10 | 9242-453-020 | 9242-453-020P | Hose - 18" |
| * | 8654-029-000 | 8654-117-018 | Clamp, Hose overflow to drain |
| " | 8654-117-015 | | Clamp, Pressure Switch Hose |
| 11 | 5198-211-004 | | Circuit Breaker (optional) |

the laundry company®

the laundry company®

the laundry company®