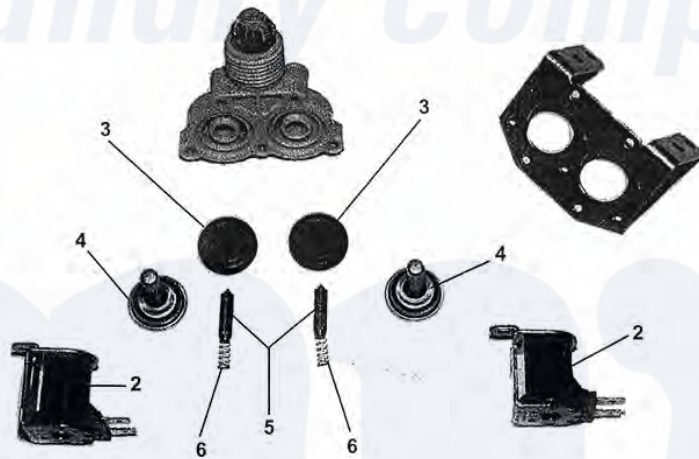


## Dexter WCN40AA (T600) Water Inlet Valve Breakdown



[Dexter Commercial Dexter WCN40AA \(T600\) Washer Parts](#) Parts Diagram Water Inlet Valve Breakdown  
 Click on the part number to view part

Item	Original Part Number	Replaced By	Status	Part Description
*	<a href="#">9379-183-003</a>			Valve, Water Inlet (dual outlet) (see Water Inlet Valve Breakdown for individual parts)
1	<a href="#">9555-056-001</a>			Screen, Inlet end of valve
2	<a href="#">9089-017-001</a>			Coil Assy., 120 V
3	<a href="#">9118-049-001</a>			Diaphragm
4	<a href="#">9211-021-002</a>			Guide, Solenoid
5	<a href="#">9015-008-001</a>			Armature
6	<a href="#">9534-298-001</a>			Spring, Armature
*	<a href="#">9545-008-026</a>			Screw, Vault Mtg