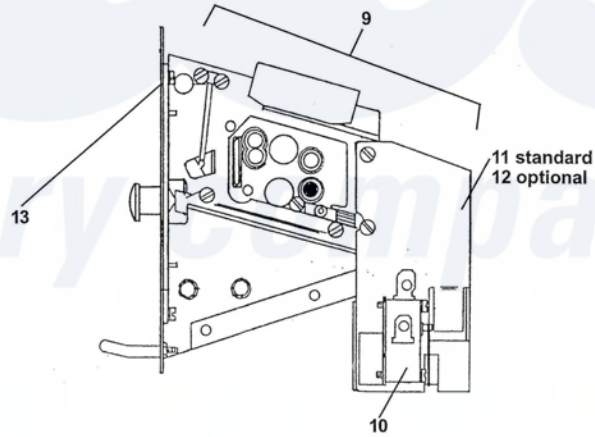
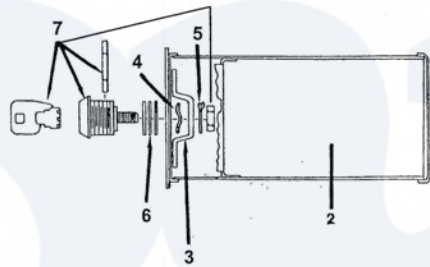
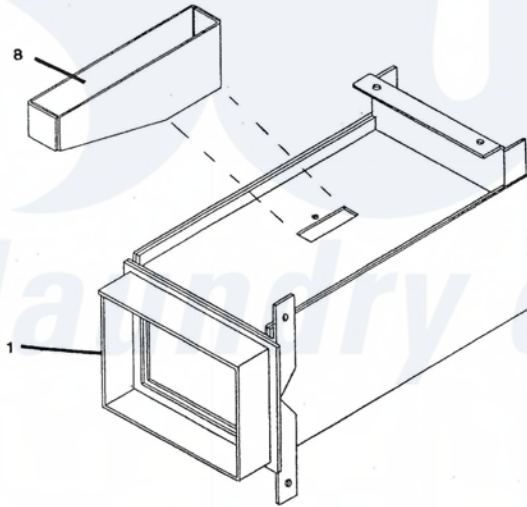


Dexter WCN40AB (T600) Coin Handling Group



Dexter Commercial Dexter WCN40AB (T600) Washer Parts Parts Diagram Coin Handling Group
 Click on the part number to view part

| Item | Original Part Number | Replaced By | Status | Part Description |
|------|------------------------------|------------------------------|--------|--|
| 1 | 9942-026-006 | | | Vault, Assy |
| * | 9545-008-026 | | | Screw, Vault Mtg |
| 2 | 9732-122-001 | 9807-099-001 | | Box Assembly Coin Vault ESD W/lock & Key Chrome |
| 3 | 9349-033-001 | | | Latch, Coin Box |
| 4 | 8641-569-002 | | | Washer, Wave |
| 5 | 8641-583-001 | | | Washer, Keeper |
| 6 | 8641-581-008 | | | Washer, Spacer- Thick |
| " | 8641-581-010 | | | Washer, Spacer- Thin |
| 7 | 8650-012-003 | | | Lock and Key, Control |
| 8 | 9940-014-004 | 9119-029-001 | | Coin Chute Assy. |
| * | 9545-008-001 | | | Screw 10-32 x 1/4 |

| | | |
|----|---|--|
| 11 | 9119-025-002 | Acceptor Chute Ass'y w/o penny ejector |
| 9 | 9021-001-010 | Acceptor, Coin |
| * | 9545-020-002 9545-020-004 | Screw, Acceptor Mtg |
| " | 8640-424-002 | Nut |
| 10 | 9732-126-001 | Switch (for coin acceptor with extra actuator) |
| 12 | 9119-025-001 | OPTIONAL Acceptor Chute W/ penny rejector |
| 13 | 9486-133-001 | Button Coin Return Retainer |

the laundry company®

the laundry company®

the laundry company®