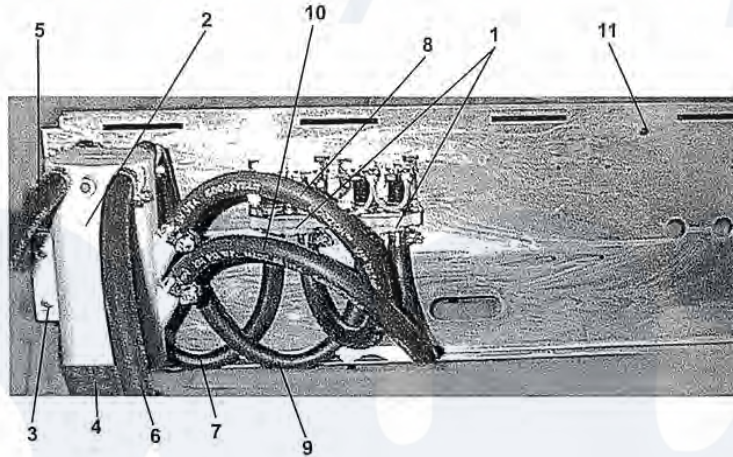


Dexter WCN40AB (T600) Water Inlet Group



Dexter [Commercial Dexter WCN40AB \(T600\) Washer Parts](#) Parts Diagram Water Inlet Group
 Click on the part number to view part

Item	Original Part Number	Replaced By	Status	Part Description
1	9379-183-003			Valve, Water Inlet (dual outlet) (see Water Inlet Valve Breakdown for individual parts)
*	9545-008-026			Screw, Vault Mtg
"	8640-399-006	8640-399-009		Nut, Spring
2	9610-001-001			Vaccum Breaker ALL
*	9029-077-001			Bracket, Vacuum Breaker
3	9545-008-026			Screw, Vault Mtg
4	9242-458-002			Hose, Vacuum Brkr. to Tub
*	8654-117-014			Clamp, Hose to Vacuum Breaker
"	8654-117-009			Clamp, Tub End
5	9242-458-002			Hose, Vacuum Breaker to Wash

5	9242-453-000		Dispenser 26
6	9242-453-009	Not Available	Hose, (valve to vac. Brkr) 23Ó
7	9242-453-020	9242-453-020P	Hose - 18"
8	9242-453-020	9242-453-020P	Hose - 18"
9	9242-453-020	9242-453-020P	Hose - 18"
10	9242-453-020	9242-453-020P	Hose - 18"
*	8654-029-000	8654-117-018	Clamp, Hose overflow to drain
"	8654-117-015		Clamp, Pressure Switch Hose
11	5198-211-004		Circuit Breaker (optional)

the laundry company®

the laundry company®

the laundry company®