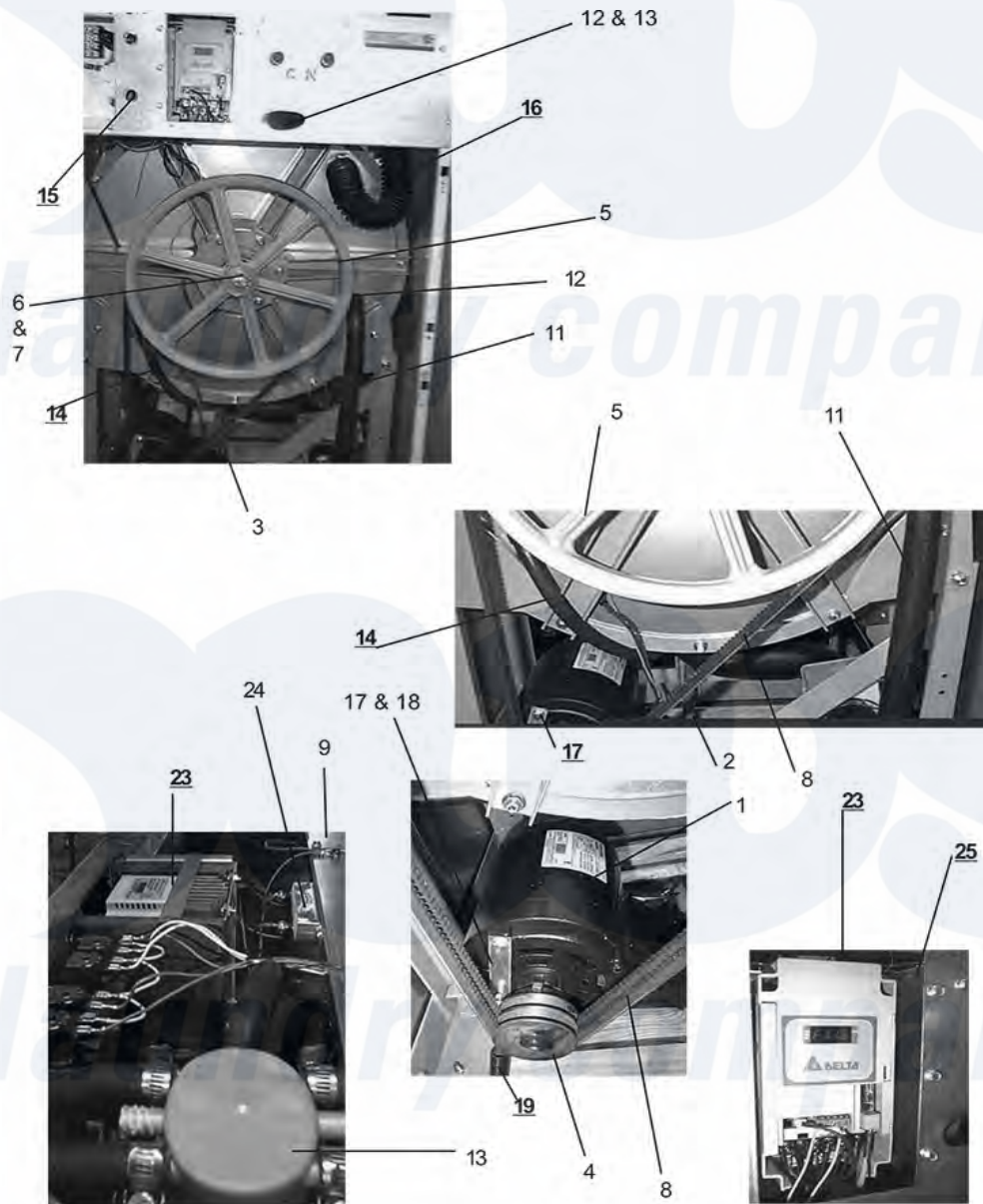


## Dexter WCVD25KCS-12 Rear View WCVD-18,WCVD-25,WCVD-40



80

Dexter [Commercial Dexter WCVD25KCS-12 Washer Parts](#) Parts Diagram Rear View WCVD-18,WCVD-25,WCVD-40  
 Click on the part number to view part

Item	Original Part Number	Replaced By	Status	Part Description
1	9376-305-001		Not Available	Drive Motor, 3 Phase (Inverter duty)
"	9376-304-001	<a href="#">9732-127-011</a>		Drive Motor, 3 Phase (Inverter duty)
2	9497-222-002	<a href="#">9497-222-002P</a>		Motor Mtg. Rod
"	<a href="#">9497-222-004</a>			Rod, Motor Mtg
*	<a href="#">9545-029-005</a>			Screw
"	<a href="#">8641-582-014</a>			Lockwasher
3	<a href="#">9076-052-002</a>			Collar, Shaft (w/set screws)
4	<a href="#">9453-170-003</a>			Pulley, Motor
"	<a href="#">9453-169-012</a>			Pulley, Motor
*	<a href="#">9545-028-015</a>			Set Screw,Sq.Hd(motor pulley)

"	<a href="#">9487-234-001</a>		Ring, Tolerance
"	<a href="#">9487-234-002</a>		Tolerance Ring
"	<a href="#">9487-234-003</a>		Tolerance Ring
5	<a href="#">9453-168-003</a>		Pulley, Driven
"	<a href="#">9453-168-004</a>		Pulley, Driven
"	<a href="#">9908-041-002</a>		Pulley, Driven
6	<a href="#">9545-017-009</a>		Screw, Hx Cap
7	<a href="#">8641-581-026</a>		Washer, Flat
6	<a href="#">8641-582-016</a>		Lockwasher
"	<a href="#">9545-060-001</a>		Screw 5/8-11x1/1/2Ó
7	<a href="#">8641-581-032</a>		Washer, Flat 5/8x2 1/4Ó
6	<a href="#">8641-582-018</a>		Lockwasher
8	<a href="#">9040-076-004</a>		Belt, Drive Motor
"	<a href="#">9040-076-005</a>		Drive Belt
9	<a href="#">9081-135-001</a>		Channel, Rear
"	<a href="#">9081-132-001</a>		Channel, Rear
"	<a href="#">9081-134-001</a>		Channel, Rear
10	<a href="#">9545-008-026</a>		Screw, Vault Mtg
*	<a href="#">8640-399-008</a>		Nut, Spring-To Front Panel
11	<a href="#">9242-449-002</a>		Hose, Overflow to drain
12	<a href="#">9242-463-003</a>		Hose, Overflow Top Vent
"	<a href="#">9242-463-001</a>		Hose, Overflow Vent Top
"	<a href="#">9242-463-002</a>		Hose, Overflow Top Vent
13	<a href="#">8654-117-008</a>		Clamp, Hose Vent
"	8654-029-000	<a href="#">8654-117-018</a>	Clamp, Hose overflow to drain
*	<a href="#">9610-001-001</a>		Vaccum Breaker ALL