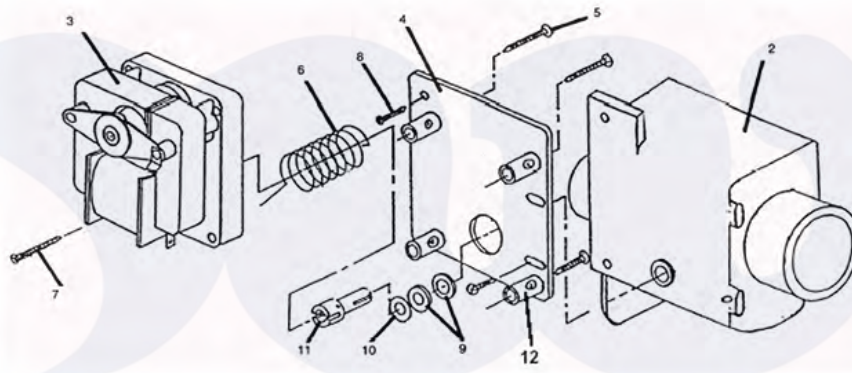


Dexter WCVD55KCS-12 Drain Valve Group 25LB, 40LB, 55LB, 75LB



[Dexter Commercial Dexter WCVD55KCS-12 Washer Parts](#) Parts Diagram Drain Valve Group 25LB, 40LB, 55LB, 75LB
 Click on the part number to view part

Item	Original Part Number	Replaced By	Status	Part Description
*	9379-187-001		Not Available	Valve Drain before Serial # 482181
2	9064-070-001			Body, Valve (w/ball)
3	9914-137-001	9914-137-011		Motor & Gear Train (complete)
4	9452-538-001			Plate, Motor Mtg
5	8639-994-001			Screw
6	9534-339-001			Spring, Drive
7	9545-054-001			Screw
8	9545-054-002		Not Available	Screw
9	9532-134-001			Seal, V Packer
10	8641-584-001			Washer
11	9451-196-001			Pin, Main Drive

WWS
the laundry company[®]

WWS
the laundry company[®]

WWS
the laundry company[®]