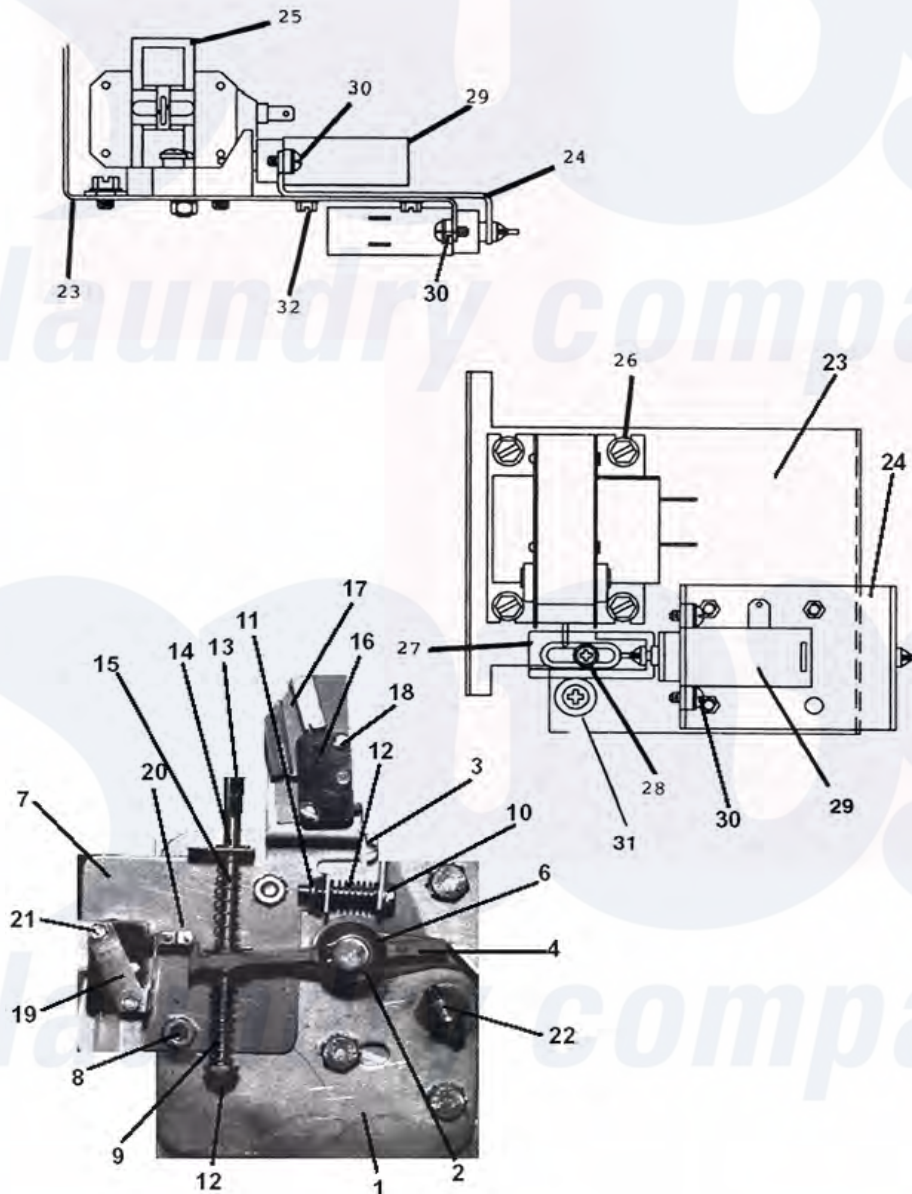


# Dexter WCVD75KCS-12 Door Lock Groups All Models



7

91

Dexter Commercial Dexter WCVD75KCS-12 Washer Parts Parts Diagram Door Lock Groups All Models  
 Click on the part number to view part

| Item | Original Part Number         | Replaced By                  | Status        | Part Description                                  |
|------|------------------------------|------------------------------|---------------|---|
| *    | 9885-023-001                 | <a href="#">9885-024-001</a> |               | Lock Assy, Complete (#1-22)(includes #1 thru #22) |
| 1    | <a href="#">9982-284-001</a> |                              |               | Plate Assy, Door Lock                             |
| 2    | <a href="#">8641-581-030</a> |                              |               | Washer, Flat                                      |
| 3    | <a href="#">9008-005-001</a> |                              |               | Actuator, Latching Switch                         |
| 4    | <a href="#">9450-002-002</a> |                              |               | Pawl, Locking                                     |
| 5    | <a href="#">8641-569-003</a> |                              |               | Washer, Spring                                    |
| 6    | <a href="#">9487-200-004</a> |                              |               | Ring, Retaining                                   |
| 7    | 9029-035-001                 |                              | Not Available | Bracket, Switch                                   |
| 8    | <a href="#">8640-413-002</a> |                              |               | Nut, Hinge to Door                                |
| 9    | <a href="#">9534-364-002</a> |                              |               | Spring, Actuating                                 |
| 10   | <a href="#">9545-012-020</a> |                              |               | Screw, Hx. 10-32 x 10                             |

|    |                              |                               |                                  |
|----|------------------------------|-------------------------------|----------------------------------|
| 11 | <a href="#">8640-413-004</a> |                               | Nut, Elastic Stop                |
| 12 | <a href="#">9534-364-001</a> |                               | Spring, Return                   |
| 13 | <a href="#">9451-193-001</a> |                               | Pin, Guide                       |
| 14 | <a href="#">9487-200-005</a> |                               | Ring, Retaining                  |
| 15 | <a href="#">8641-581-031</a> |                               | Washer                           |
| 16 | <a href="#">9539-461-008</a> |                               | Switch, Latching Sensing         |
| 17 | <a href="#">9550-169-003</a> |                               | Shield, Switch                   |
| 18 | <a href="#">9545-020-001</a> |                               | Screw, Switch Mtg                |
| "  | <a href="#">8640-401-001</a> |                               | Nut, Special Twin                |
| 19 | <a href="#">9539-461-007</a> |                               | Switch-Micro                     |
| 20 | <a href="#">9008-006-002</a> |                               | Actuator, Switch                 |
| 21 | <a href="#">9545-020-003</a> |                               | Screw 4-40 x 1 1/8"              |
| "  | <a href="#">8640-401-001</a> |                               | Nut, Special Twin                |
| 22 | <a href="#">9451-181-004</a> |                               | Pin, Dowel                       |
| *  | <a href="#">9552-037-001</a> |                               | Shim, Door Lock, Thin            |
| "  | 9552-037-002                 | Not Available                 | Shim, Door Lock, Thick AR AR     |
| "  | 9545-018-004                 | Not Available                 | Screw, Lock mtg 1/4"-20 x 3/4"   |
| "  | <a href="#">8641-582-007</a> |                               | Lockwasher 1/4                   |
| "  | 9922-011-001                 | <a href="#">9922-011-001P</a> | Solenoid Assy.                   |
| 23 | <a href="#">9029-073-001</a> |                               | Bracket, (Door Locking Solenoid) |
| 24 | <a href="#">9985-169-001</a> |                               | Bracket Assy, Solenoid Slide     |
| 25 | <a href="#">9536-074-001</a> |                               | Solenoid 120V 60 hz              |
| 26 | <a href="#">9545-008-001</a> |                               | Screw 10-32 x 1/4                |
| 27 | 9540-033-002                 | <a href="#">9540-036-001</a>  | Stop, Door Lock Solenoid         |
| 28 | <a href="#">9545-061-001</a> |                               | Screw, Shoulder                  |
| "  | <a href="#">8640-411-003</a> |                               | Nut, Switch Locking              |
| 29 | <a href="#">9586-001-001</a> |                               | Thermoactuator 120 V             |
| 30 | <a href="#">9545-031-011</a> |                               | Screw #6 x 5/16"                 |
| 31 | <a href="#">9538-157-004</a> |                               | Spacer, Plastic                  |
| "  | <a href="#">9538-166-004</a> |                               | Spacer, Metal                    |
| "  | <a href="#">9545-010-001</a> |                               | Screw, Cross Recessed            |
| "  | <a href="#">8640-412-005</a> |                               | NUT-HEXKEPS,#8-32                |
| 32 | <a href="#">8640-411-003</a> |                               | Nut, Switch Locking              |
| *  | <a href="#">8640-412-005</a> |                               | NUT-HEXKEPS,#8-32                |
| "  | <a href="#">9497-225-006</a> |                               | Rod, Pull                        |