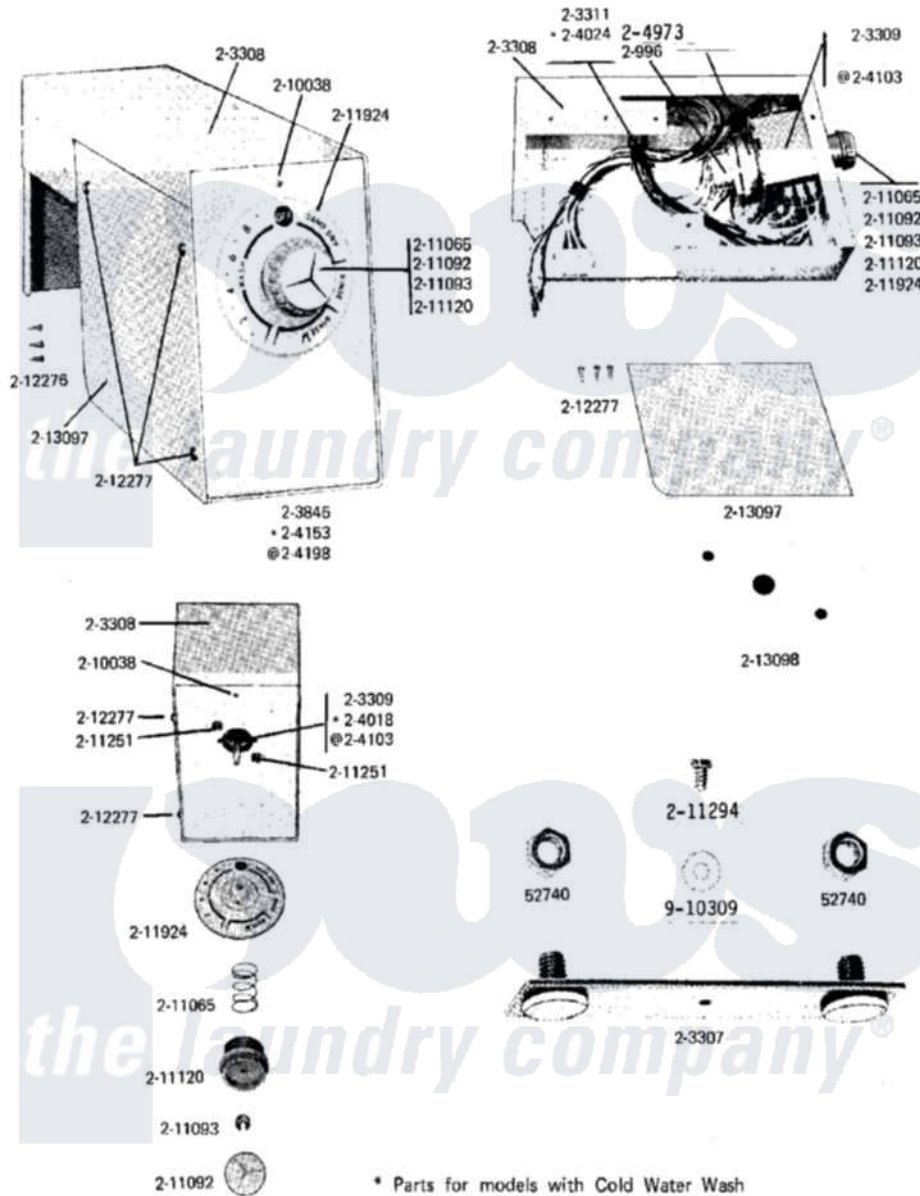


# Maytag A16CA 02 - CA CONTROL CENTER



Maytag [Commercial Maytag A16CA Washer Parts](#) Parts Diagram 02 - CA CONTROL CENTER  
 Click on the part number to view part

Item	Original Part Number	Replaced By	Status	Part Description
001	<a href="#">Y052740</a>	<a href="#">62739</a>		Nut, Lock
002	NLA		Not Available	TIMER MOTOR
003	NLA		Not Available	MTG. STRAP---NA
004	NLA		Not Available	OUTER CASE (WHT)
005	<a href="#">203309</a>			Timer
006	NLA		Not Available	WIRE HARNESS
007	NLA		Not Available	HARNESS, COMMERCIAL BOX
008	NLA		Not Available	TIMER
009	NLA		Not Available	CONTROL CENTER W/GASKET
010	<a href="#">204973</a>			Motor, Timer
011	NLA		Not Available	BUTTON MARKER
012	<a href="#">211065</a>			Spring, Index Wheel
013	NLA		Not Available	CAP, KNOB
014	211093		Not Available	RETAINER
015	<a href="#">211120</a>			Knob, Timer

016	<a href="#">211251</a>			Screw, Transformer
017	<a href="#">211294</a>	<a href="#">90767</a>		Screw, 8A X 3/8 HeX Washer Head Tapping
018	NLA		Not Available	TIMER DIAL
019	212276	<a href="#">W10116760</a>		Screw
020	<a href="#">212277</a>			Screw, No.8 X 1/2 Inch
021	NLA		Not Available	ACCESS DOOR, TIMER
022	NLA		Not Available	GASKET UNDER CONTROL CENTER
023	NLA		Not Available	INSTRUCTION DECAL
024	<a href="#">910309</a>			Washer, Mounting Strap

