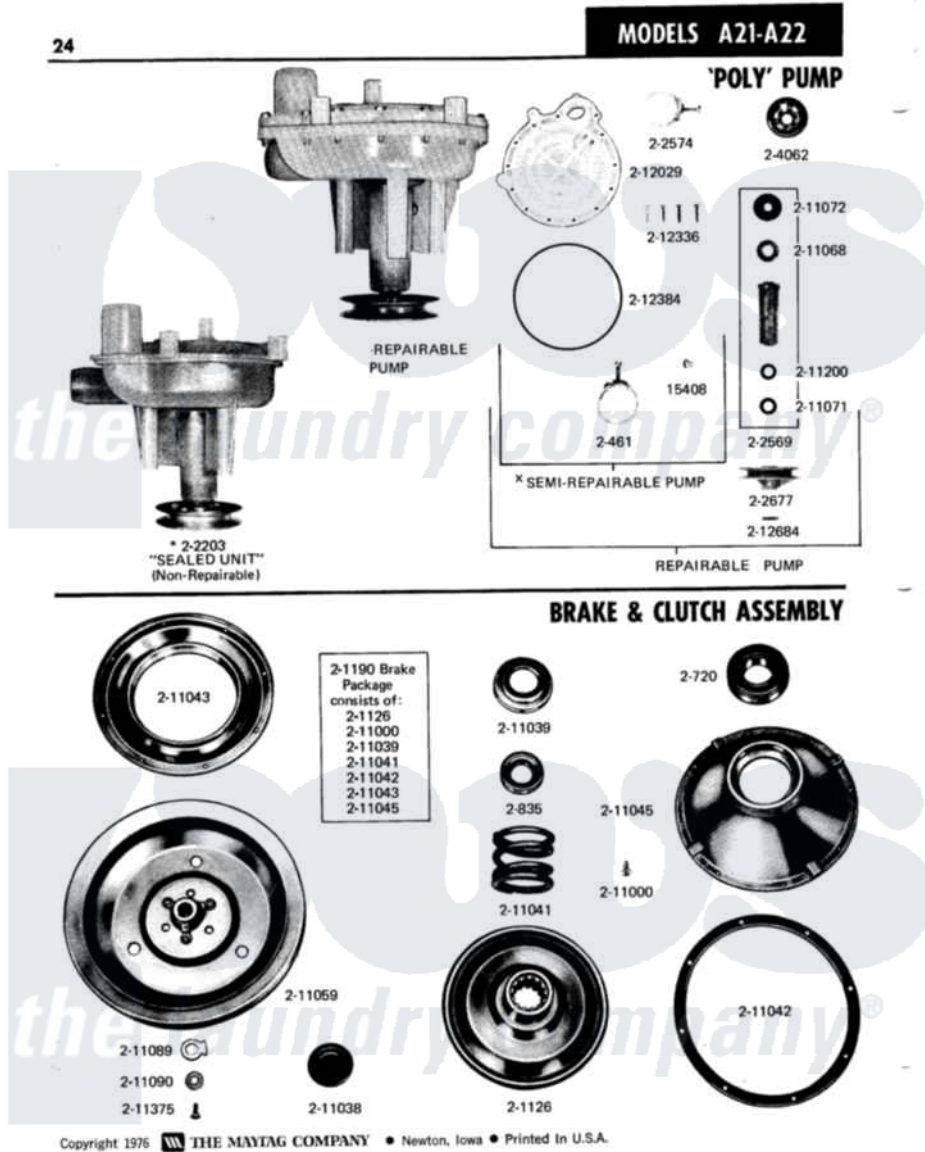


Maytag A21CA 10 - BRAKE & CLUTCH ASSEMBLY



Maytag Commercial Maytag A21CA Washer Parts Parts Diagram 10 - BRAKE & CLUTCH ASSEMBLY
 Click on the part number to view part

Item	Original Part Number	Replaced By	Status	Part Description
001	Y200720	22003441		Bearing, Rear
002	200835			Bearing, Brake Rotor
003	201126	6-2011900		Brake Asse
004	201190	6-2011900		Brake Asse
005	211000			SCREW, BRAKE DRUM (HEX HEAD)
006	NLA		Not Available	CAP, OIL RETAINER
007	211039	6-2011900		Brake Asse
008	211041	6-2011900		Brake Asse
009	211042	6-2011900		Brake Asse
010	211043	6-2011900		Brake Asse
011	211045	6-2011900		Brake Asse
012	211059	6-2301530		Pulley
013	211089			Lug, Stop Pulley
014	211090	22003555		Washer, Stop Lug
015	211375	681582		Screw