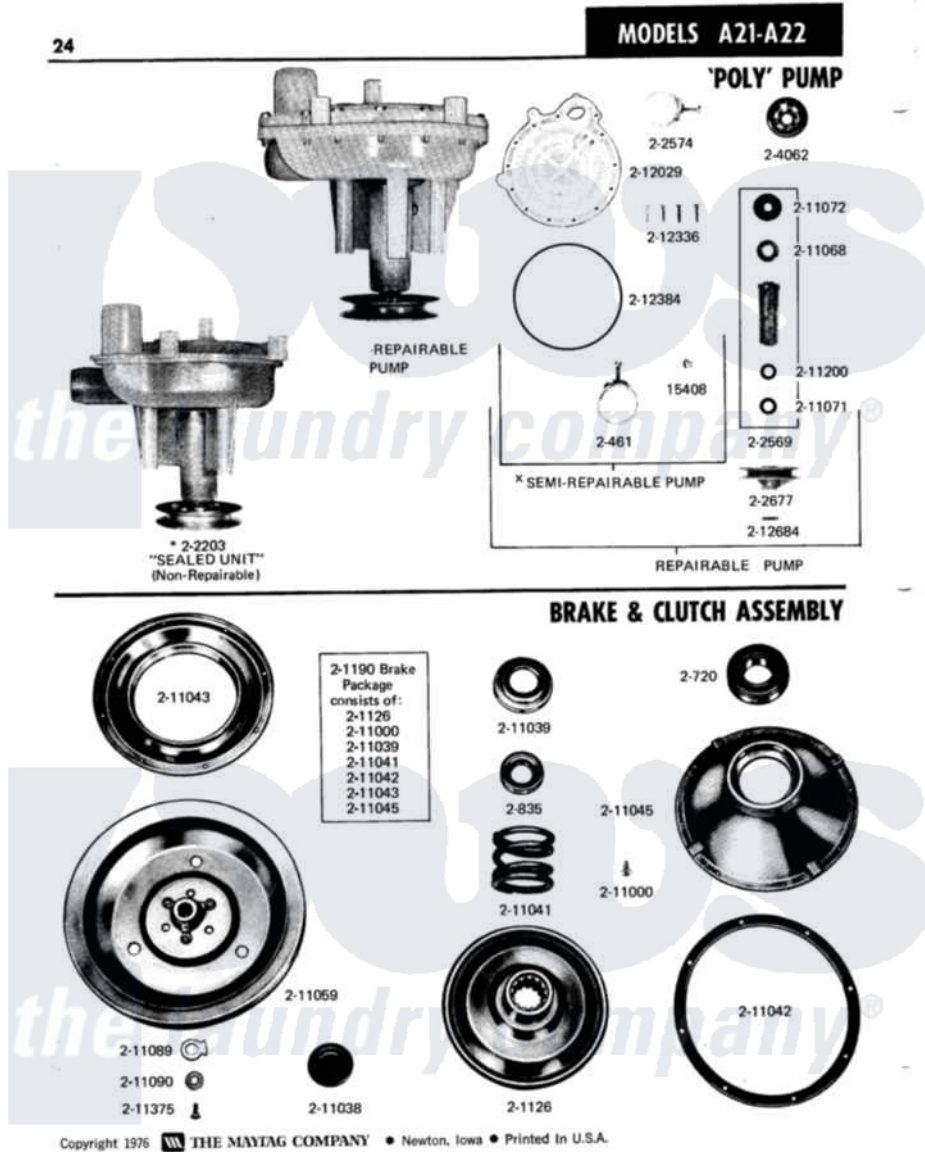


# Maytag A22CA 10 - BRAKE & CLUTCH ASSEMBLY



Maytag Commercial Maytag A22CA Washer Parts Parts Diagram 10 - BRAKE & CLUTCH ASSEMBLY  
 Click on the part number to view part

Item	Original Part Number	Replaced By	Status	Part Description
001	Y200720	<a href="#">22003441</a>		Bearing, Rear
002	<a href="#">200835</a>			Bearing, Brake Rotor
003	201126	<a href="#">6-2011900</a>		Brake Asse
004	201190	<a href="#">6-2011900</a>		Brake Asse
005	<a href="#">211000</a>			SCREW, BRAKE DRUM (HEX HEAD)
006	NLA		Not Available	CAP, OIL RETAINER
007	211039	<a href="#">6-2011900</a>		Brake Asse
008	211041	<a href="#">6-2011900</a>		Brake Asse
009	211042	<a href="#">6-2011900</a>		Brake Asse
010	211043	<a href="#">6-2011900</a>		Brake Asse
011	211045	<a href="#">6-2011900</a>		Brake Asse
012	211059	<a href="#">6-2301530</a>		Pulley
013	<a href="#">211089</a>			Lug, Stop Pulley
014	211090	<a href="#">22003555</a>		Washer, Stop Lug
015	211375	<a href="#">681582</a>		Screw