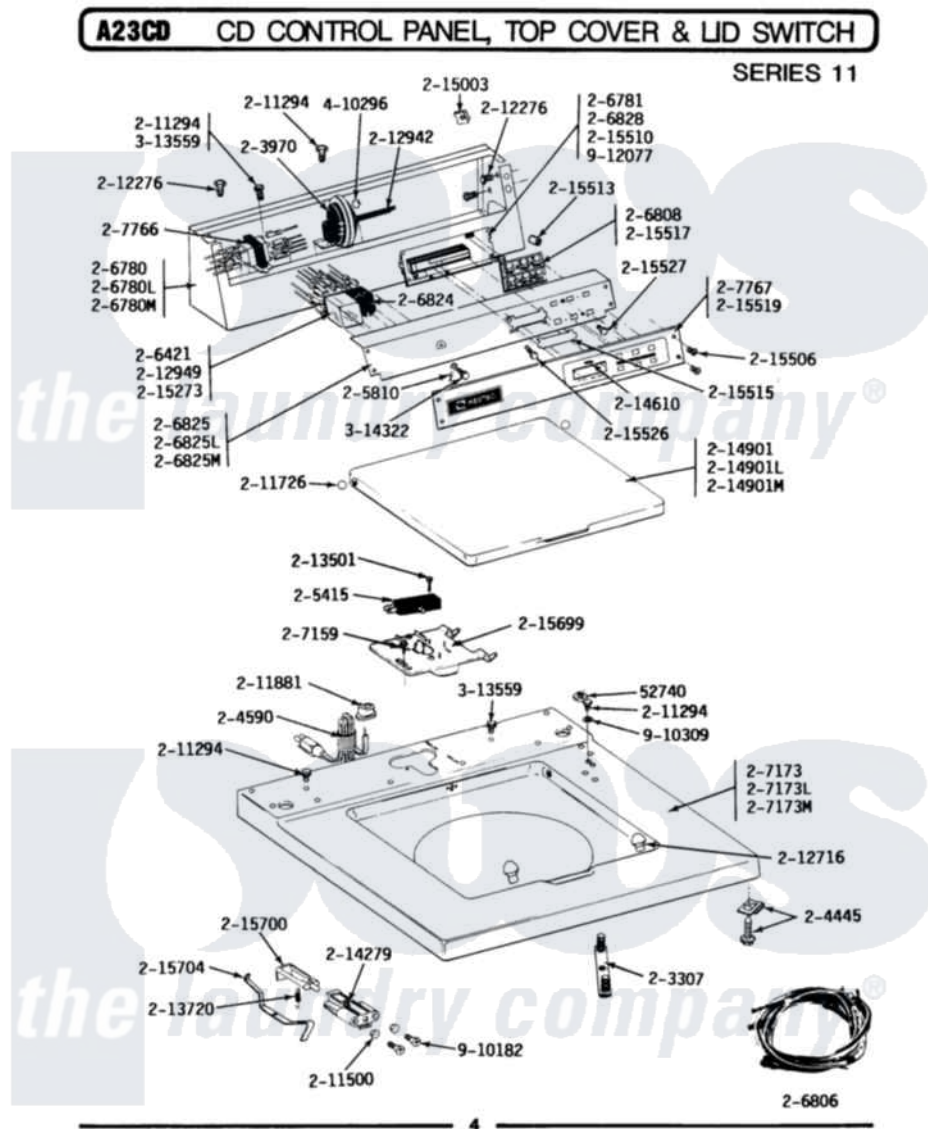


# Maytag A23CDW 02 - CD CONTROL PANEL, TOP COVER & LID SWITCH



Maytag [Commercial Maytag A23CDW Washer Parts](#) Parts Diagram 02 - CD CONTROL PANEL, TOP COVER & LID SWITCH

[Click on the part number to view part](#)

Item	Original Part Number	Replaced By	Status	Part Description
001	NLA		Not Available	BIT, TORX (2-15506 SCREW)
002	<a href="#">Y052740</a>	<a href="#">62739</a>		Nut, Lock
003	<a href="#">Y201808</a>			Converter
004	NLA		Not Available	STRAP, MOUNTING
005	<a href="#">203970</a>			Switch, Water Level
006	<a href="#">204445</a>			Screw And Fastener Assembly
007	<a href="#">204590</a>			Cord, Power
008	205415	<a href="#">279347</a>		Switch-Lid
009	<a href="#">205810</a>			Wire, Ground
010	<a href="#">206421</a>			Relay, Motor Reversing
011	<a href="#">206780</a>			Control Cover Assembly
012	206780L	<a href="#">206780</a>		Control Cover Assembly
013	NLA		Not Available	CIRCUIT BOARD ASSEMBLY
014	NLA		Not Available	HARNESS, WIRE
015	206808	<a href="#">W10135389</a>		Push Button And Switch Assembly

016	206824	<a href="#">W10133335</a>		Relay, Motor
017	206825	<a href="#">215516</a>		Plate, Back-Up
018	NLA		Not Available	BACK BRACKET ASSEMBLY
019	<a href="#">206828</a>			Battery
020	<a href="#">207766</a>			Transformer
021	207159	<a href="#">489355</a>		Screw, 8 X 1/2
022	207173		Not Available	TOP COVER ASSEMBLY (WHT)
023	NLA		Not Available	(ALM)
024	<a href="#">211294</a>	<a href="#">90767</a>		Screw, 8A X 3/8 HeX Washer Head Tapping
025	<a href="#">211500</a>			Washer, Bracket To Top Cover
026	<a href="#">211726</a>			Hinge, Ball Lid
027	<a href="#">211881</a>			Grommet, Cord Part Not Used-Gas Models Only
028	212276	<a href="#">W10116760</a>		Screw
029	<a href="#">212716</a>			Bumper, Lid
030	212942	<a href="#">22001619</a>		Tube, Water Level Switch
031	212949	<a href="#">22001866</a>		Screw, Relay
032	<a href="#">213720</a>			Spring, Lid Switch
033	214279	<a href="#">204968</a>		Plunger And Bracket Assembly--W
034	<a href="#">214610</a>			Bumper, Lid
035	214901		Not Available	LID-WHITE
036	NLA		Not Available	(ALM)
037	<a href="#">214987</a>			Moisture Barrier For Switch
038	<a href="#">215003</a>			Fastener, Panel And Bracket
039	<a href="#">215273</a>			Clip, Spring Relay
040	<a href="#">215506</a>			Screw, Control Panel Overlay
041	215510		Not Available	SUPPORT, PC BOARD
042	<a href="#">Y215513</a>			Standoff, Circuit Board
043	215515		Not Available	COVER, DISPLAY
044	215517	<a href="#">W10131113</a>		Push Button
045	<a href="#">215519</a>			Panel, Control
046	<a href="#">215526</a>			Screw, Circuit Board
047	215527	<a href="#">W10140652</a>		Screw, 6-20 X 1/2
048	Y215699	<a href="#">22001678</a>		Bracket, Switch And Fuse
049	NLA		Not Available	PLUNGER, LID SWITCH
050	<a href="#">215704</a>			Lever, Unbalance
051	<a href="#">Y313559</a>			Screw
052	Y314322	<a href="#">211251</a>		Screw, Transformer
053	410296	<a href="#">596669</a>		Clamp, Manifold
054	<a href="#">410635</a>			Fastener
055	910182	<a href="#">25-7809</a>		Screw, No.6-20 1/2 Flthd Torx
056	<a href="#">910309</a>			Washer, Mounting Strap
057	<a href="#">912077</a>			Locknut, Reader Harness