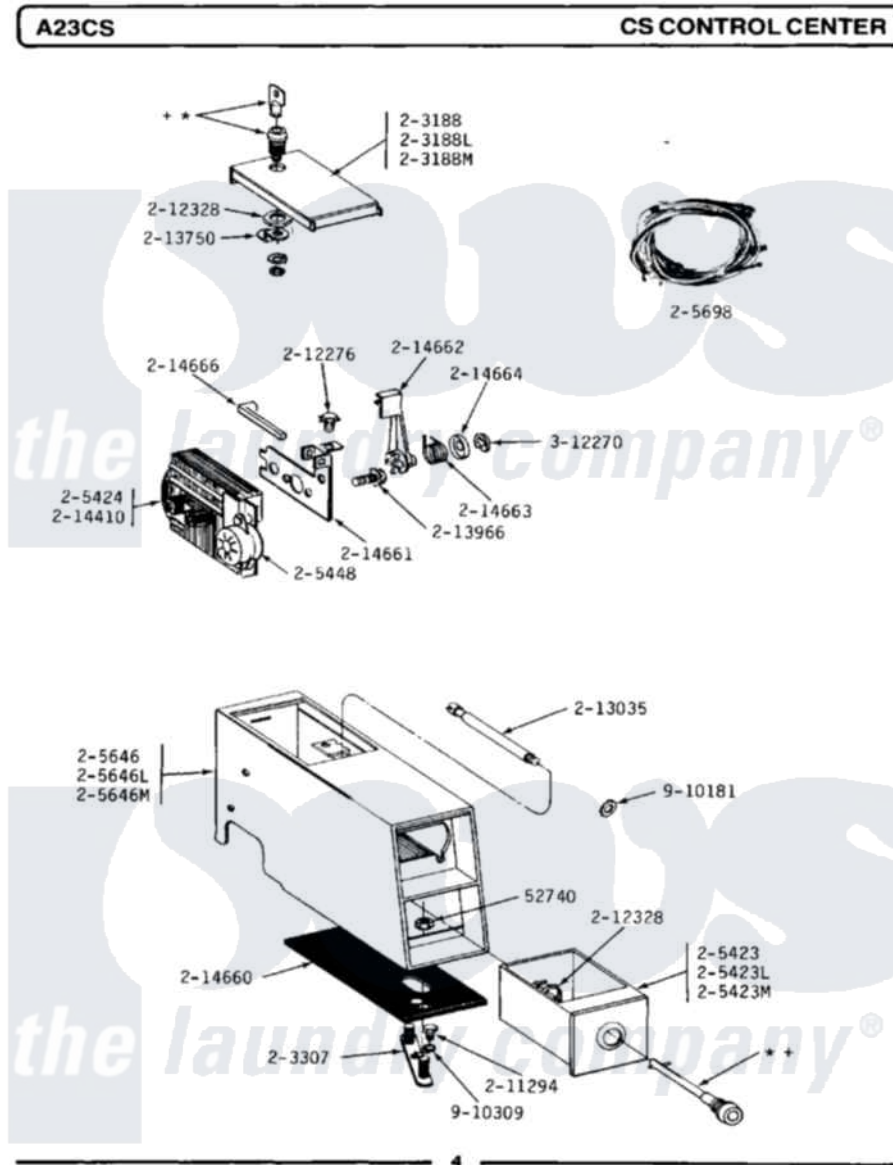


Maytag A23CSL 02 - CS CONTROL CENTER



Maytag Commercial Maytag A23CSL Washer Parts Parts Diagram 02 - CS CONTROL CENTER
 Click on the part number to view part

Item	Original Part Number	Replaced By	Status	Part Description
001	205426			Timer And Actuator Assembly
002	Y052740	62739		Nut, Lock
003	203188		Not Available	TIMER ACCESS DOOR (WHT)
004	203188L		Not Available	ACCESS DOOR-ALMOND
005	NLA		Not Available	MTG. STRAP----NA
006	205423	208883		Coin Box K
007	205423L	208883		Coin Box K
008	205424			Timer
009	205426			Timer And Actuator Assembly
010	205448		Not Available	MOTOR, TIMER (120-60)
011	205646	22001405		Case, Coin Slide
012	205646L	22001405		Case, Coin Slide
013	205698			Main Wire Harness
014	211294	90767		Screw, 8A X 3/8 HeX Washer Head Tapping
015	212276	W10116760		Screw

016	212328	W10139762	Hex Nut, 3/4-27
017	213035		Bolt, Locking
018	213750	W10133266	Cam-Lock
019	213966	3400014	Screw
020	214410		Label, Timer Caution
021	214660		Gasket, Control Center
022	214661		Bracket For Timer
023	214662	22001042	Pivot Arm, Timer
024	214663		Spring For Timer Lever
025	214664	22001398	Retainer, Spring---NA
026	214666	216442	Rod, Actuator
027	Y312270		Clip, Spring Retainer
028	910181		Lockwasher, Terminal Block
029	910309		Washer, Mounting Strap

