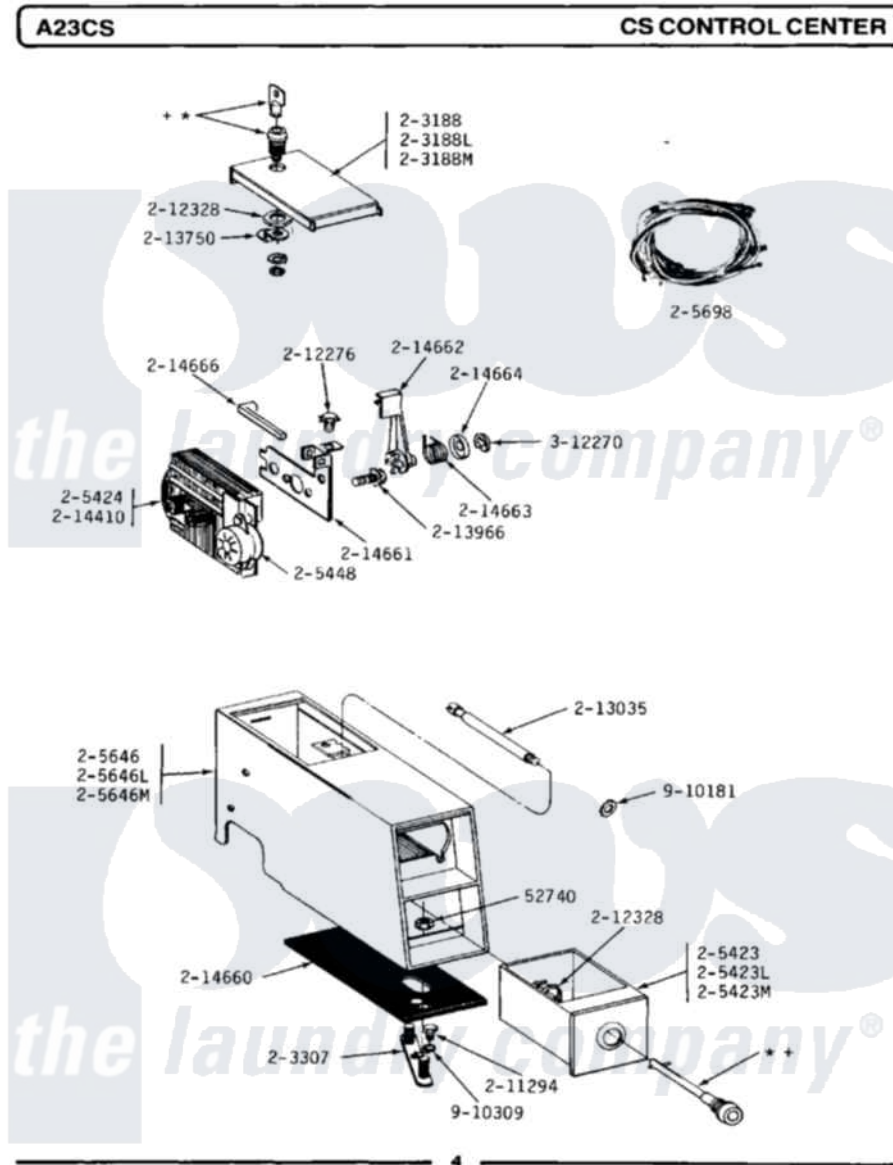


# Maytag A23CSW 02 - CS CONTROL CENTER



Maytag [Commercial Maytag A23CSW Washer Parts](#) Parts Diagram 02 - CS CONTROL CENTER  
 Click on the part number to view part

Item	Original Part Number	Replaced By	Status	Part Description
001	<a href="#">205426</a>			Timer And Actuator Assembly
002	<a href="#">Y052740</a>	<a href="#">62739</a>		Nut, Lock
003	203188		Not Available	TIMER ACCESS DOOR (WHT)
004	203188L		Not Available	ACCESS DOOR-ALMOND
005	NLA		Not Available	MTG. STRAP----NA
006	205423	<a href="#">208883</a>		Coin Box K
007	205423L	<a href="#">208883</a>		Coin Box K
008	<a href="#">205424</a>			Timer
009	<a href="#">205426</a>			Timer And Actuator Assembly
010	205448		Not Available	MOTOR, TIMER (120-60)
011	205646	<a href="#">22001405</a>		Case, Coin Slide
012	205646L	<a href="#">22001405</a>		Case, Coin Slide
013	<a href="#">205698</a>			Main Wire Harness
014	<a href="#">211294</a>	<a href="#">90767</a>		Screw, 8A X 3/8 HeX Washer Head Tapping
015	212276	<a href="#">W10116760</a>		Screw

016	212328	<a href="#">W10139762</a>	Hex Nut, 3/4-27
017	<a href="#">213035</a>		Bolt, Locking
018	213750	<a href="#">W10133266</a>	Cam-Lock
019	213966	<a href="#">3400014</a>	Screw
020	<a href="#">214410</a>		Label, Timer Caution
021	<a href="#">214660</a>		Gasket, Control Center
022	<a href="#">214661</a>		Bracket For Timer
023	214662	<a href="#">22001042</a>	Pivot Arm, Timer
024	<a href="#">214663</a>		Spring For Timer Lever
025	214664	<a href="#">22001398</a>	Retainer, Spring---NA
026	214666	<a href="#">216442</a>	Rod, Actuator
027	<a href="#">Y312270</a>		Clip, Spring Retainer
028	<a href="#">910181</a>		Lockwasher, Terminal Block
029	<a href="#">910309</a>		Washer, Mounting Strap

*the laundry company*<sup>®</sup>

**Howes**  
*the laundry company*<sup>®</sup>

**Howes**  
*the laundry company*<sup>®</sup>