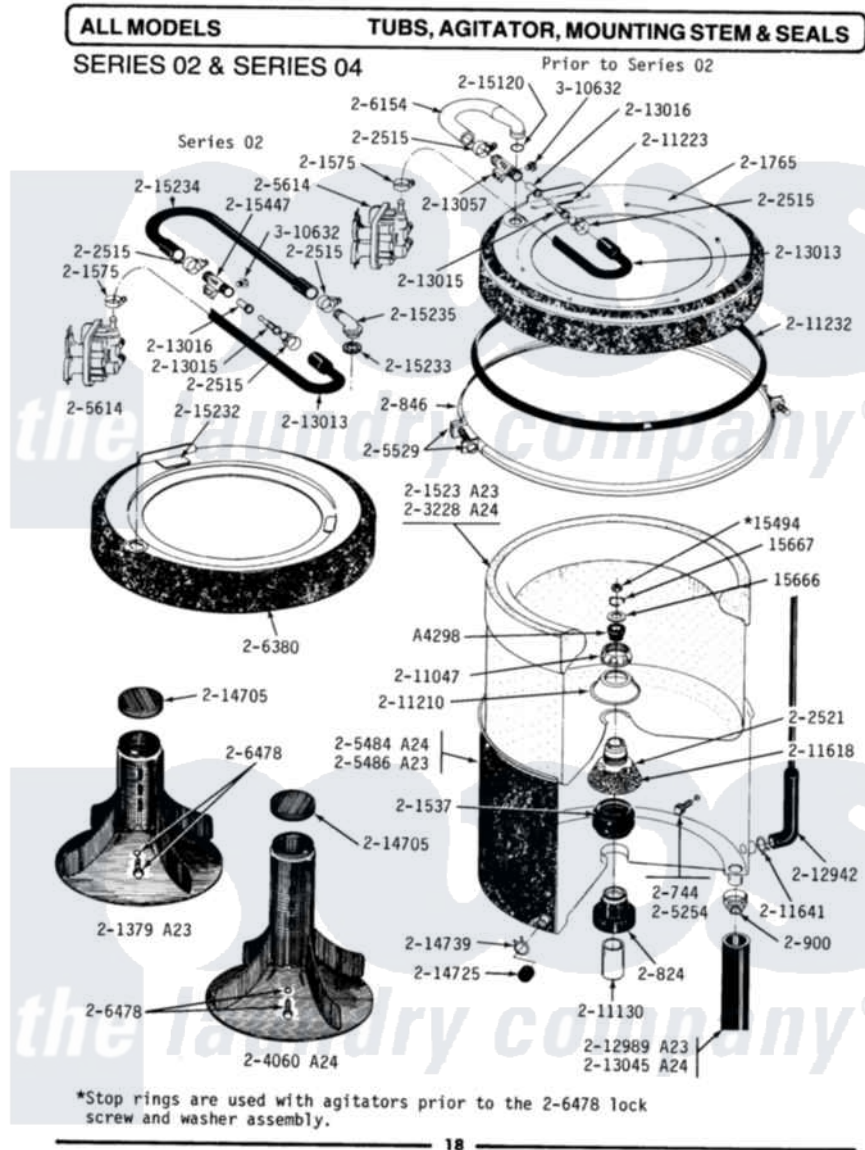


Maytag A23CT 03 - TUB, AGITATOR, MOUNTING STEM & SEAL



Maytag Commercial Maytag A23CT Washer Parts Parts Diagram 03 - TUB, AGITATOR, MOUNTING STEM & SEAL
 Click on the part number to view part

Item	Original Part Number	Replaced By	Status	Part Description
001	Y0A4298	6-0A57420		Seal- Agitator
002	Y015494			Stop Ring-Agitator Shaft
003	Y015666			Washer, Retaining -
004	Y054867			Washer, Lock
005	200744	W10175939		Bolt
006	200824	6-2040130		Tub Bearin
007	200846			Clamp - Tub Cover
008	200900	616099		Clamp
009	201379		Not Available	AGITATOR - BLACK
010	NLA		Not Available	INNER TUB
011	NLA		Not Available	INNER TUB
012	201537	6-2095720		Mounting S
013	201575			Clamp, Hose
014	201765		Not Available	COVER, TUB
015	202515	596669		Clamp, Manifold
016	202521	6-2095720		Mounting S

018	204012	6-2095720	Mounting S
019	204013	6-2040130	Tub Bearin
021	205254	W10175938	Bolt
023	205486		Not Available PART NOT USED
024	205529		Nut And Bolt Kit For Tub Clam
025	205614	205613	Water Valve
026	206154		Injector Tube With Seal
027	206380		Not Available COVER, TUB
028	206531	W10276607	Hose
029	206683	206680	Water Injector Assembly
030	211047	6-2110472	Nut- Clamp
031	211100		Washer, Outer Tub
032	211130		Bearing Liner, Tub Bearing
033	211210		Washer, Clamping Nut
034	211223		Bumper, Unbalance
035	211232		Seal, Tub Cover
036	211618	22001423	Set Screw, Mounting Stem
037	211641		Clamp, 1-1/16"
038	212942	22001619	Tube, Water Level Switch
039	Y212989		Hose, Outer Tub To Pump
040	213013		Hose, Injector
041	213015		Nozzle, Injector
042	213016	216201	Nozzle
044	213057	22213057	Sleeve- In
045	214705		Cap, Capacitor
046	214725		Cap For Spout-Outer Tub
047	214739	596669	Clamp, Manifold
048	215120		Seal For Injector Tube
049	215232		Bumper, Unbalance
050	215233		Seal For Injector Tube
051	Y215234		Hose, Injector Fill
052	215235		Tube, Injector
053	215447		Sleeve For Injector
054	Y310632	1163839	Screw

