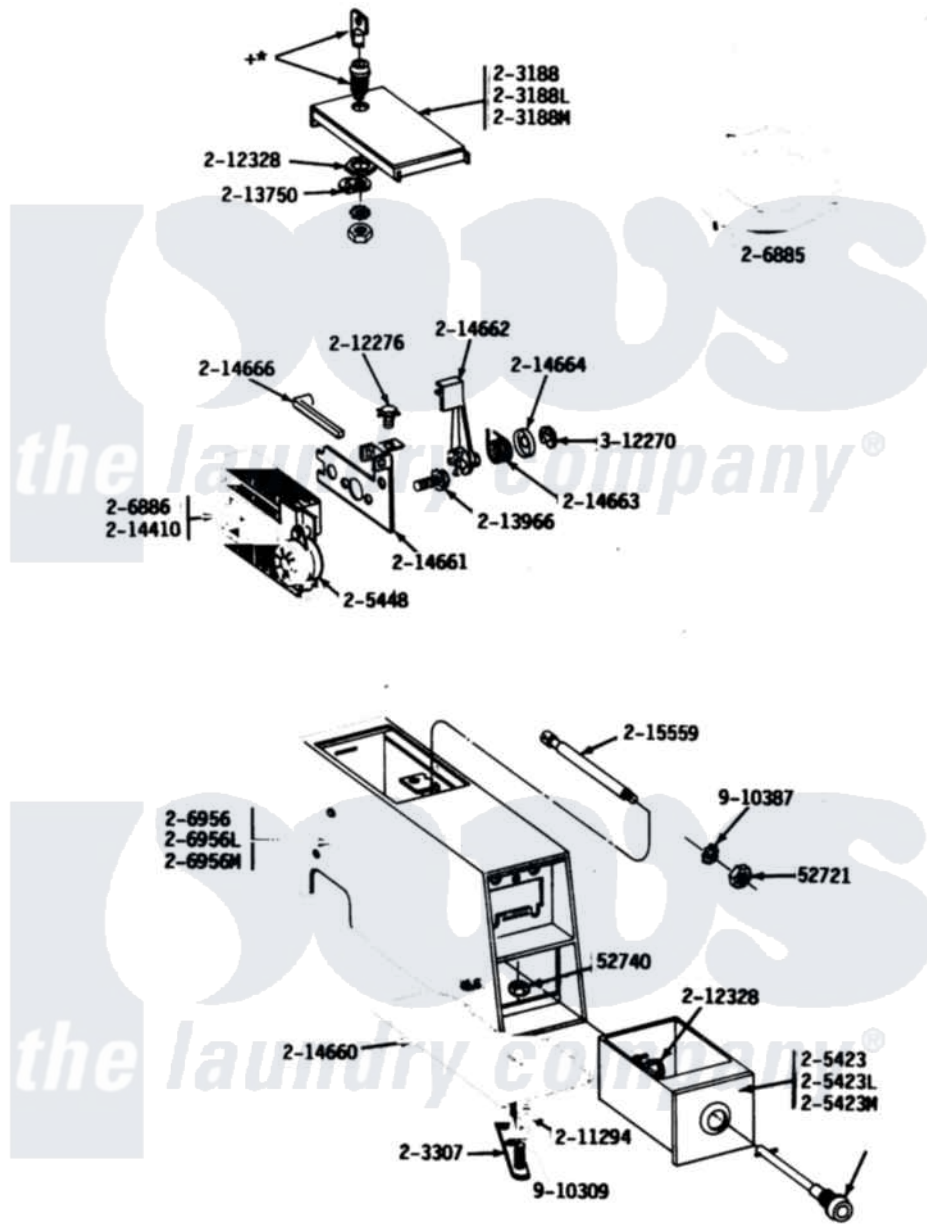


# Maytag A25CM 03 - CONTROL CENTER



Maytag [Commercial Maytag A25CM Washer Parts](#) Parts Diagram 03 - CONTROL CENTER  
 Click on the part number to view part

Item	Original Part Number	Replaced By	Status	Part Description
001	<a href="#">Y052721</a>			Nut, Terminal Block Plate
002	<a href="#">Y052740</a>	<a href="#">62739</a>		Nut, Lock
003	203188		Not Available	TIMER ACCESS DOOR (WHT)
"	203188L		Not Available	ACCESS DOOR-ALMOND
"	203188M		Not Available	ACCESS DOOR-HARVEST WHEAT
004	NLA		Not Available	MTG. STRAP----NA
005	205423	<a href="#">208883</a>		Coin Box K
"	205423L	<a href="#">208883</a>		Coin Box K
"	205423M	<a href="#">208883</a>		Coin Box K
006	205448		Not Available	MOTOR, TIMER (120-60)
007	NLA		Not Available	WIRE HARNESS
008	206886	<a href="#">12001906</a>		Timer
009	206917		Not Available	TIMER & ACUTATOR ASSEMBLY
010	206956	<a href="#">22001405</a>		Case, Coin Slide

"	206956L	<a href="#">22001405</a>	Case, Coin Slide
"	206956M	<a href="#">22001405</a>	Case, Coin Slide
011	<a href="#">211294</a>	<a href="#">90767</a>	Screw, 8A X 3/8 HeX Washer Head Tapping
012	212276	<a href="#">W10116760</a>	Screw
013	212328	<a href="#">W10139762</a>	Hex Nut, 3/4-27
014	213750	<a href="#">W10133266</a>	Cam-Lock
015	213966	<a href="#">3400014</a>	Screw
016	<a href="#">214410</a>		Label, Timer Caution
017	<a href="#">214660</a>		Gasket, Control Center
018	<a href="#">214661</a>		Bracket For Timer
019	214662	<a href="#">22001042</a>	Pivot Arm, Timer
020	<a href="#">214663</a>		Spring For Timer Lever
021	214664	<a href="#">22001398</a>	Retainer, Spring---NA
022	214666	<a href="#">216442</a>	Rod, Actuator
023	<a href="#">215559</a>		Bolt, Coin Slide Locking
024	<a href="#">Y312270</a>		Clip, Spring Retainer
025	<a href="#">910309</a>		Washer, Mounting Strap
026	<a href="#">910387</a>		Lockwasher, Vault Assembly

