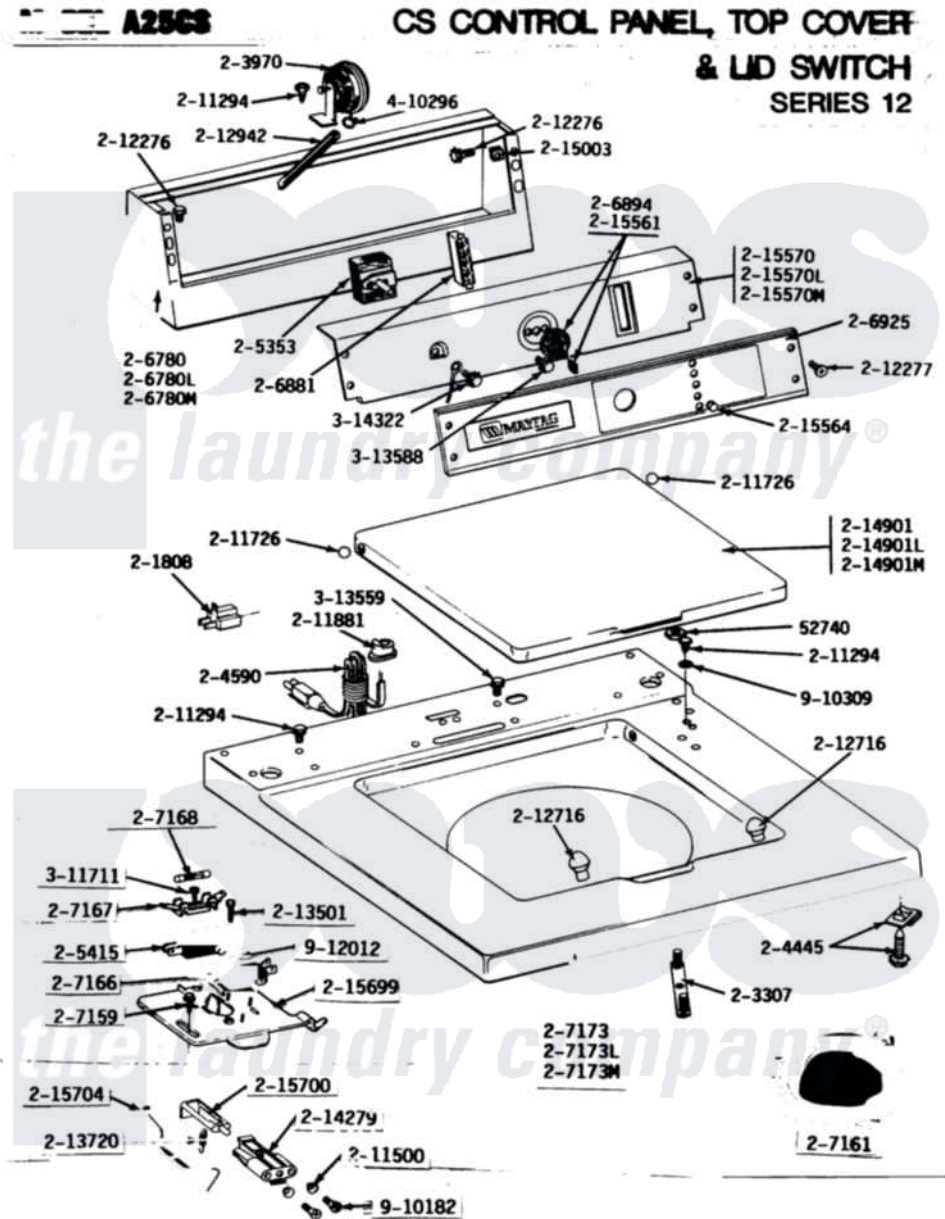


# Maytag A25CS 02 - CONTROL PANEL, TOP CVR & LID SWTCH (12)



Maytag Commercial Maytag A25CS Washer Parts Parts Diagram 02 - CONTROL PANEL, TOP CVR & LID SWTCH (12)  
 Click on the part number to view part

Item	Original Part Number	Replaced By	Status	Part Description
001	<a href="#">Y052740</a>	<a href="#">62739</a>		Nut, Lock
002	<a href="#">Y201808</a>			Converter
003	NLA		Not Available	MTG. STRAP---NA
004	<a href="#">203970</a>			Switch, Water Level
005	<a href="#">204445</a>			Screw And Fastener Assembly
006	<a href="#">204590</a>			Cord, Power
007	<a href="#">205353</a>			Switch, DiAl-A-Fabric
008	205415	<a href="#">279347</a>		Switch-Lid
009	<a href="#">206780</a>			Control Cover Assembly
"	206780L	<a href="#">206780</a>		Control Cover Assembly
"	NLA		Not Available	CONTROL COVER ASSY
010	<a href="#">206881</a>			Indicator, Light
011	<a href="#">206894</a>			Knob, Selector
012	NLA		Not Available	CONTROL PANEL WITH LENS - CS &
013	207159	<a href="#">489355</a>		Screw, 8 X 1/2
014	<a href="#">207161</a>			Wire Harness

015	<a href="#">207166</a>		Switch, Check
016	<a href="#">207167</a>		Block, Fuse
017	207168	<a href="#">22001682</a>	Switch Assembly, Lid W/4amp Fuse
018	207173	Not Available	TOP COVER ASSEMBLY (WHT)
"	NLA	Not Available	TOP COVER ASSY ALM
019	<a href="#">211294</a>	<a href="#">90767</a>	Screw, 8A X 3/8 HeX Washer Head Tapping
020	<a href="#">211500</a>		Washer, Bracket To Top Cover
021	<a href="#">211726</a>		Hinge, Ball Lid
022	<a href="#">211881</a>		Grommet, Cord Part Not Used-Gas Models Only
023	212276	<a href="#">W10116760</a>	Screw
024	<a href="#">212277</a>		Screw, No.8 X 1/2 Inch
025	<a href="#">212716</a>		Bumper, Lid
026	212942	<a href="#">22001619</a>	Tube, Water Level Switch
027	<a href="#">213501</a>		Screw, No.6-20 X 1-1/8 Inch
028	<a href="#">213720</a>		Spring, Lid Switch
029	214279	<a href="#">204968</a>	Plunger And Bracket Assembly--W
030	214901	Not Available	LID-WHITE
"	NLA	Not Available	LID-ALMOND
031	<a href="#">215003</a>		Fastener, Panel And Bracket
032	215561	<a href="#">206894</a>	Knob, Selector
033	<a href="#">215564</a>		Lens, Indicator Light
034	215570	<a href="#">22001592</a>	(WHT)
"	NLA	Not Available	PLATE, BACKUP (ALM)
035	Y215699	<a href="#">22001678</a>	Bracket, Switch And Fuse
036	NLA	Not Available	LID SWITCH PLUNGER
037	<a href="#">215704</a>		Lever, Unbalance
038	<a href="#">Y311711</a>		Screw, Fuse Block
039	<a href="#">Y313559</a>		Screw
040	<a href="#">Y313588</a>	<a href="#">488234</a>	Screw 8-32 X 1/4
041	Y314322	<a href="#">211251</a>	Screw, Transformer
042	410296	<a href="#">596669</a>	Clamp, Manifold
043	910182	<a href="#">25-7809</a>	Screw, No.6-20 1/2 Flthd Torx
044	<a href="#">910309</a>		Washer, Mounting Strap
045	912012	<a href="#">3400409</a>	Screw

*the laundry company*<sup>®</sup>