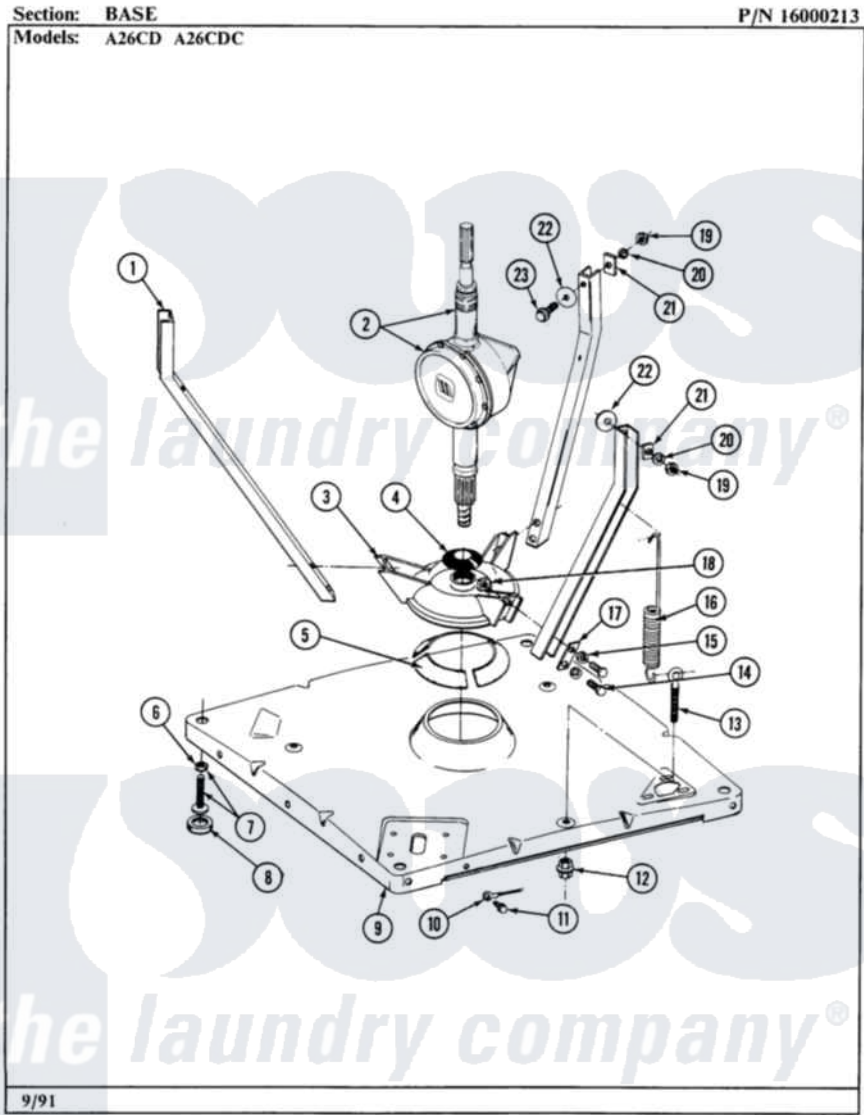


Maytag A26CDC 08 - BASE



16

Maytag Commercial Maytag A26CDC Washer Parts Parts Diagram 08 - BASE
Click on the part number to view part

| Item | Original Part Number | Replaced By | Status | Part Description |
|------|-------------------------|---------------------------|--------|--------------------------------------|
| 001 | 213053 | | | Brace, Tub Part Not Used |
| 002 | 206707 | 6-2097750 | | Trans Dee |
| 003 | 203725 | | | Damper W/Bolt And Clip |
| 004 | 211028 | 22001586 | | Deflector, Water |
| 005 | 203956 | | | Damper Pad Kit |
| 006 | 210385 | | | Lock Nut For Adjustable Leg |
| 007 | Y302699 | 22003428 | | Leg, Adjustable |
| 008 | 210684 | | | Foot, Adjustable Leg |
| 009 | 203274 | | | Base With Damper Pads |
| 010 | 204807 | | | Ground Wire, Supp. Plte To Top Cover |
| 011 | 210186 | 3370225 | | Screw |
| 012 | 211949 | | | Nut, Adjustment Eyebolt |
| 013 | 213120 | 216416 | | Bolt, Eye/Centering Spring |
| 014 | Y015627 | | | Screw- Hex |
| 015 | 911852 | 486009 | | Lockwasher |
| 016 | 213054 | | | Centering Spring - 3 Used |

| | | | |
|-----|-------------------------|---------------------------|--------------------------------|
| 017 | 213073 | | Washer, Double Brace |
| 018 | Y052785 | | Nut, Brace To Damper |
| 019 | Y052734 | | Nut, Carrage Bolts And Bracket |
| 020 | Y054867 | | Washer, Lock |
| 021 | 212979 | Not Available | WASHER, TUB BRACE |
| 022 | 211100 | | Washer, Outer Tub |
| 023 | 200744 | W10175939 | Bolt |
| " | 205254 | W10175938 | Bolt |

