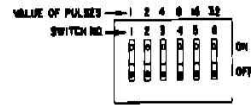
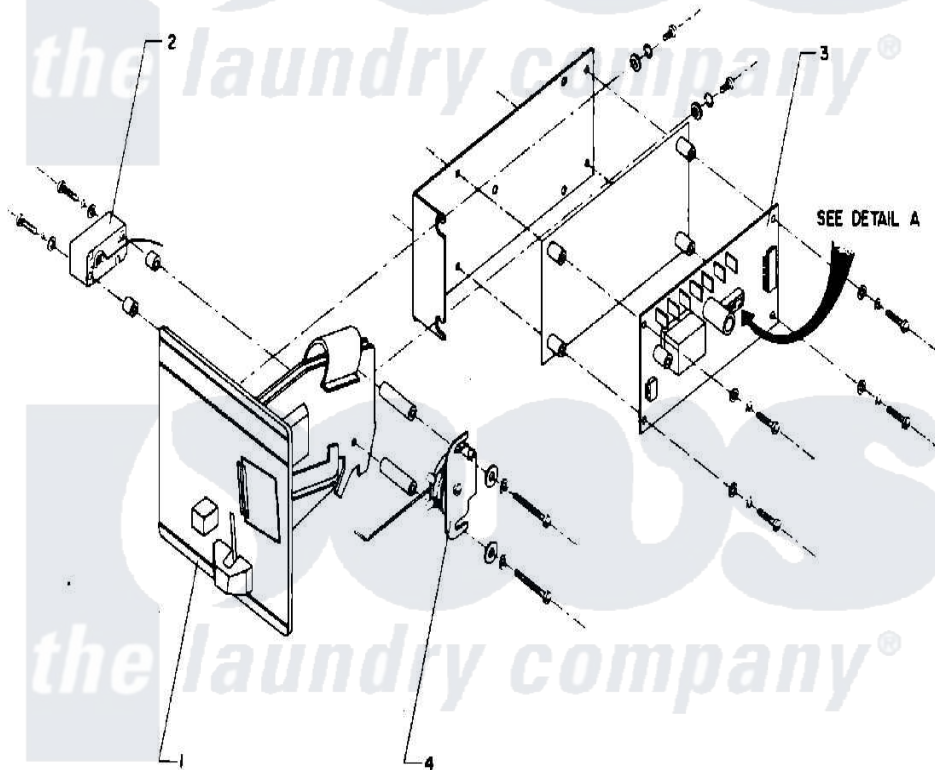


# Maytag AT18MN1 05 - COIN METER & COIN BOX



DETAIL A  
COIN COUNTER  
DIP SWITCHES



Maytag [Commercial Maytag AT18MN1 Washer Parts](#) Parts Diagram 05 - COIN METER & COIN BOX  
Click on the part number to view part

Item	Original Part Number	Replaced By	Status	Part Description
001	<a href="#">24001615</a>			COIN ACCEPTOR (US QUARTER)
"	24001754		Not Available	COIN METER (110V/50-60HZ) (US QUARTERS)
"	24001755		Not Available	COIN METER (110V/50-60HZ) (CANADIAN QUARTERS)
"	NLA		Not Available	COIN METER, HANKE (DIGITAL)
"	NLA		Not Available	COIN METER, HANKE (DIGITAL)
002	NLA		Not Available	SWITCH, COIN
003	24001617		Not Available	ELECTRONIC COIN COUNTER W/HAR
004	24001618		Not Available	SOLENOID, COIN BLOCKING (120V)
"	<a href="#">24001756</a>			Solenoid, Coin Blocking
NI	<a href="#">24002035</a>			Harness, Led