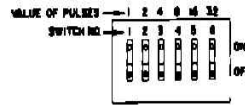
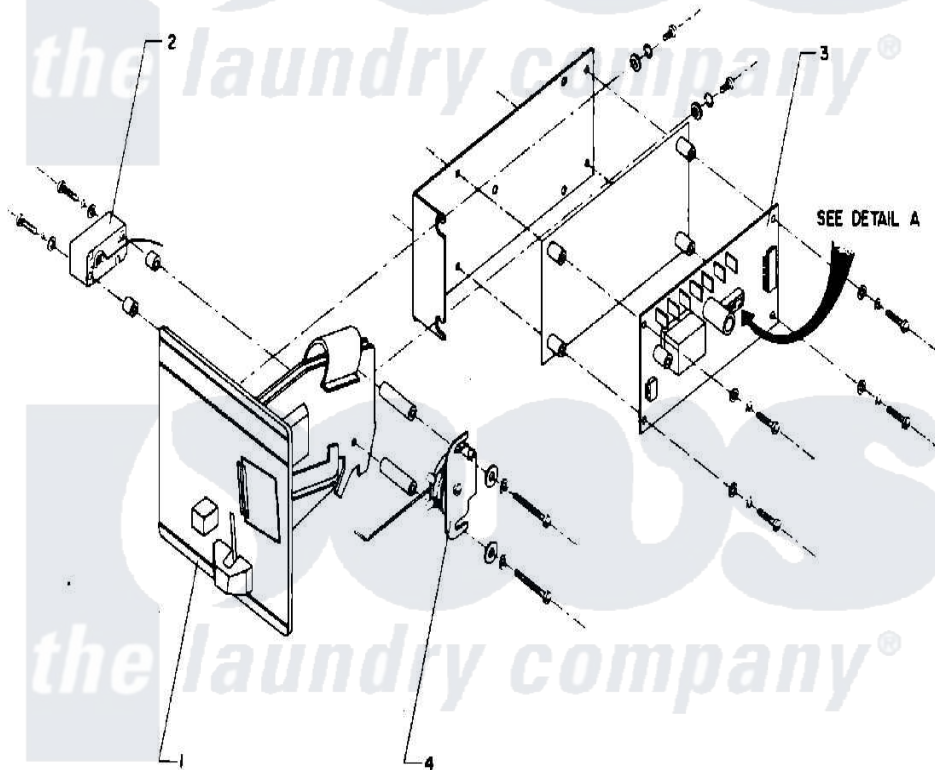


Maytag AT18PN1 04 - COIN METER & COIN BOX



DETAIL A
COIN COUNTER
DIP SWITCHES



Maytag [Commercial Maytag AT18PN1 Washer Parts](#) Parts Diagram 04 - COIN METER & COIN BOX
Click on the part number to view part

| Item | Original Part Number | Replaced By | Status | Part Description |
|------|--------------------------|-------------|---------------|---|
| 001 | 24001615 | | | COIN ACCEPTOR (US QUARTER) |
| " | 24001754 | | Not Available | COIN METER (110V/50-60HZ) (US QUARTERS) |
| " | 24001755 | | Not Available | COIN METER (110V/50-60HZ) (CANADIAN QUARTERS) |
| 002 | NLA | | Not Available | COIN SWITCH |
| 003 | 24001617 | | Not Available | ELECTRONIC COIN COUNTER W/HAR |
| 004 | 24001618 | | Not Available | SOLENOID, COIN BLOCKING (120V) |
| " | 24001756 | | | Solenoid, Coin Blocking |
| NI | 24002035 | | | Harness, Led |