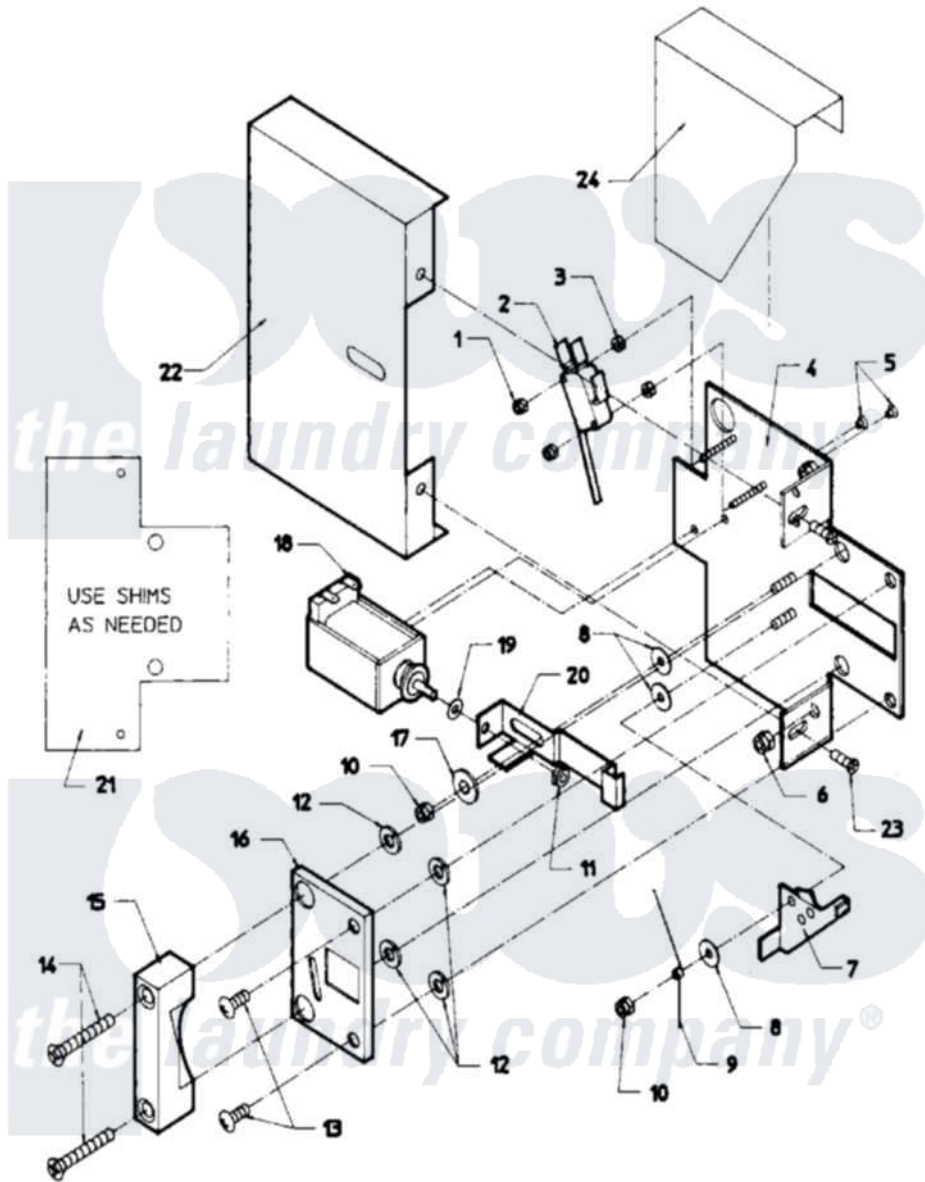


# Maytag AT35MN1 03 - DOOR SAFETY INTERLOCK (MN MODELS)



Maytag [Commercial Maytag AT35MN1 Washer Parts](#) Parts Diagram 03 - DOOR SAFETY INTERLOCK (MN MODELS)  
 Click on the part number to view part

Item	Original Part Number	Replaced By	Status	Part Description
001	<a href="#">24001476</a>			Nut, Fiberlock
002	<a href="#">24001229</a>			Switch, Door Lock
003	24001477		Not Available	SPACER, NYLON (No.6)
004	NLA		Not Available	PLATE, DOOR LOCK
005	<a href="#">24001479</a>			Screw, S.s.
006	<a href="#">24001305</a>			Nut, Fiberlock
007	<a href="#">24001230</a>			Lever, Door Lock
008	<a href="#">24001480</a>			Washer, Teflon
009	<a href="#">24001293</a>			Spring, Torsion
010	24001342	<a href="#">74005230</a>		Nut, Lock
011	<a href="#">24001481</a>	<a href="#">Y707702</a>		Locknut
012	<a href="#">24001295</a>			Lockwasher, S.s.
013	<a href="#">24001323</a>			Screw
014	<a href="#">24001642</a>			Screw, S.s.
015	24001483		Not Available	CATCH, DOOR LOCK
016	24001484		Not Available	COVER, DOOR LOCK PLATE

017	<a href="#">24001485</a>		Washer, Shoulder
018	<a href="#">24001101</a>		Solenoid, Door Rel
019	<a href="#">24001358</a>		Washer, Flat
020	24001486	Not Available	BUTTON, PUSH (STOP)
021	<a href="#">24001559</a>		Shim, Door Lock
022	24001487	Not Available	COVER, DOOR LOCK ASSY.
023	24001301	<a href="#">67006964</a>	Screw, Glide
024	24001488	Not Available	SHIELD, SPLASH (DOOR LOCK)

