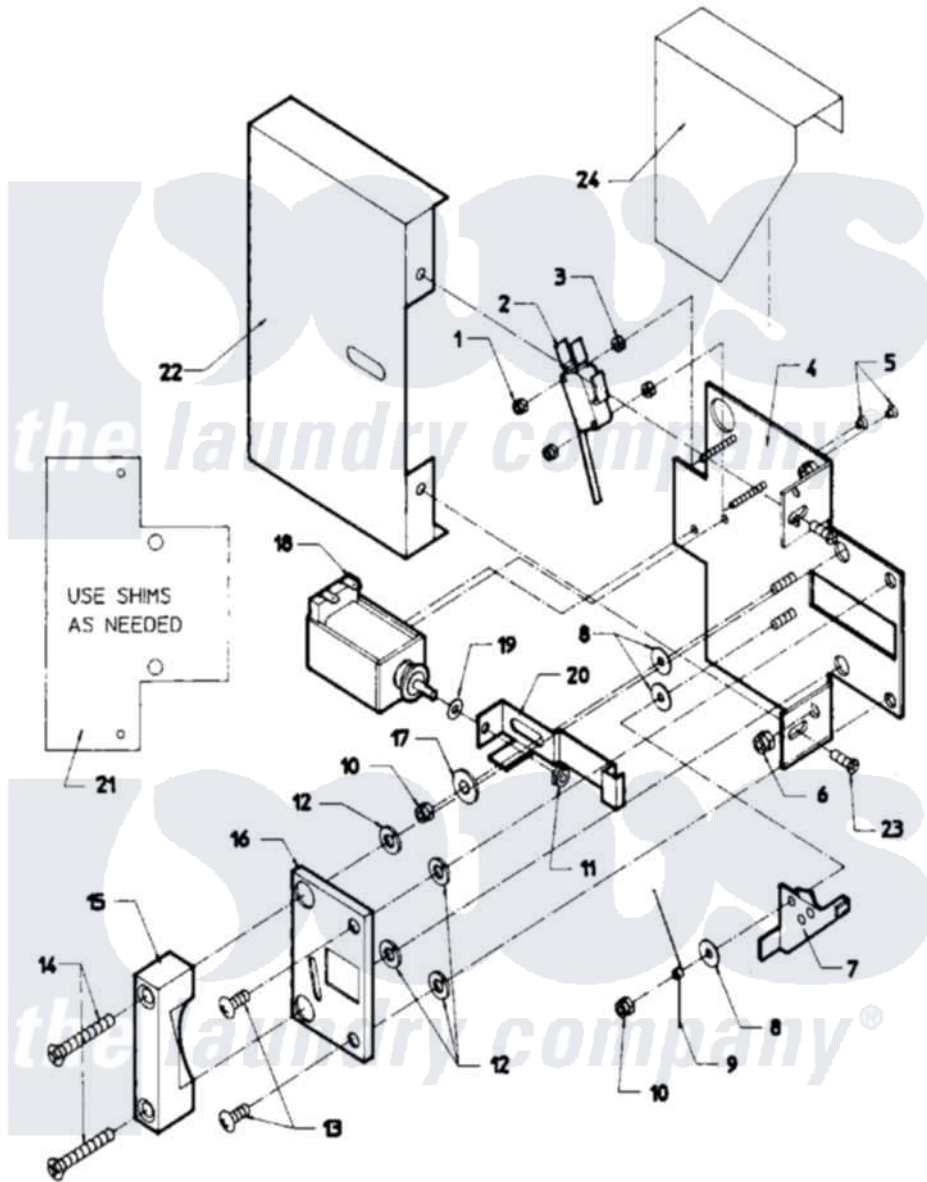


Maytag AT35MN2 03 - DOOR SAFETY INTERLOCK (OPL)



Maytag [Commercial Maytag AT35MN2 Washer Parts](#) Parts Diagram 03 - DOOR SAFETY INTERLOCK (OPL)
 Click on the part number to view part

| Item | Original Part Number | Replaced By | Status | Part Description |
|------|--------------------------|--------------------------|---------------|------------------------|
| 001 | 24001476 | | | Nut, Fiberlock |
| 002 | 24001229 | | | Switch, Door Lock |
| 003 | 24001477 | | Not Available | SPACER, NYLON (No.6) |
| 004 | NLA | | Not Available | PLATE, DOOR LOCK |
| 005 | 24001479 | | | Screw, S.s. |
| 006 | 24001305 | | | Nut, Fiberlock |
| 007 | 24001230 | | | Lever, Door Lock |
| 008 | 24001480 | | | Washer, Teflon |
| 009 | 24001293 | | | Spring, Torsion |
| 010 | 24001342 | 74005230 | | Nut, Lock |
| 011 | 24001481 | Y707702 | | Locknut |
| 012 | 24001295 | | | Lockwasher, S.s. |
| 013 | 24001323 | | | Screw |
| 014 | 24001642 | | | Screw, S.s. |
| 015 | 24001483 | | Not Available | CATCH, DOOR LOCK |
| 016 | 24001484 | | Not Available | COVER, DOOR LOCK PLATE |

| | | | |
|-----|--------------------------|--------------------------|----------------------------|
| 017 | 24001485 | | Washer, Shoulder |
| 018 | 24001101 | | Solenoid, Door Rel |
| 019 | 24001358 | | Washer, Flat |
| 020 | 24001486 | Not Available | BUTTON, PUSH (STOP) |
| 021 | 24001559 | | Shim, Door Lock |
| 022 | 24001487 | Not Available | COVER, DOOR LOCK ASSY. |
| 023 | 24001301 | 67006964 | Screw, Glide |
| 024 | 24001488 | Not Available | SHIELD, SPLASH (DOOR LOCK) |

