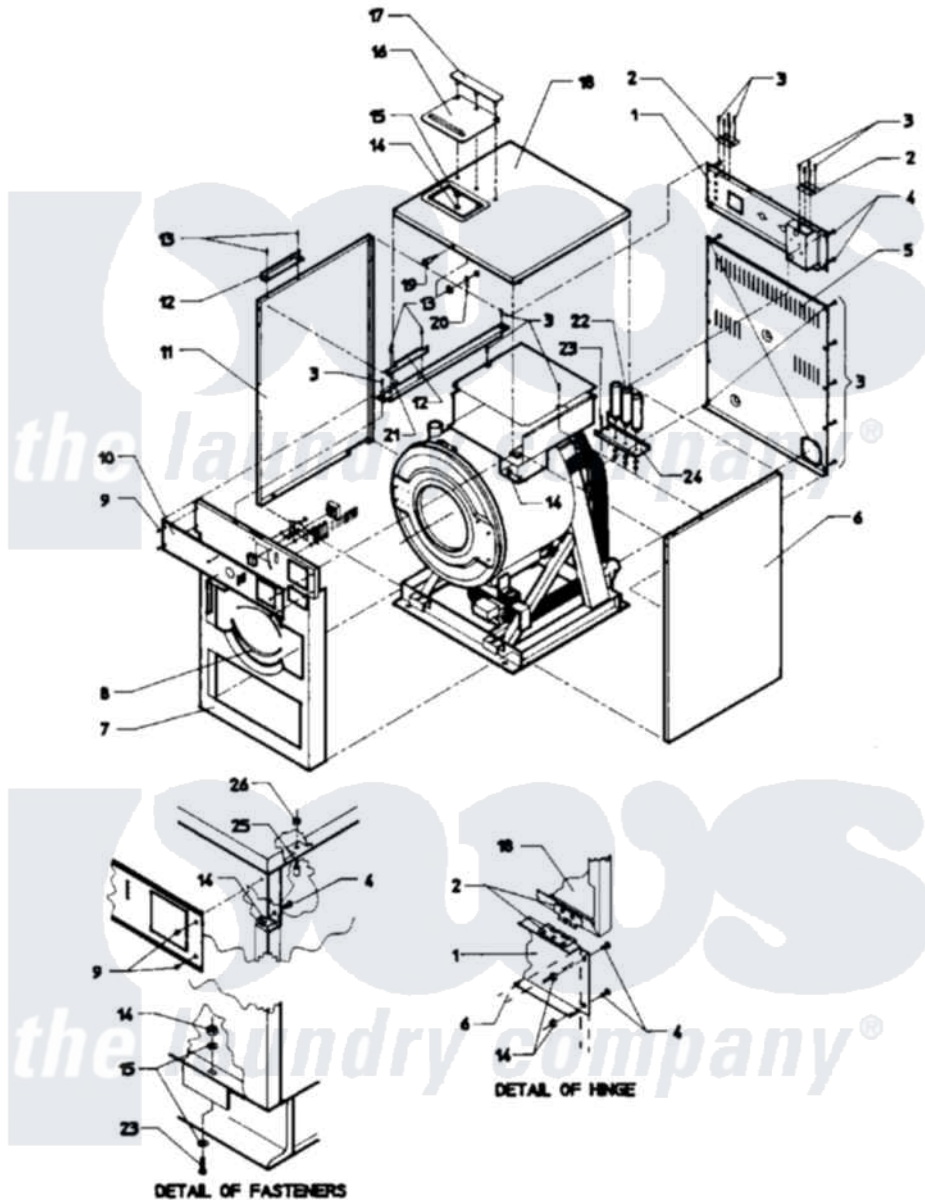


# Maytag AT50MC2 01 - MAIN EXPLODED VIEW - FINAL ASSEMBLY



Maytag Commercial Maytag AT50MC2 Washer Parts Parts Diagram 01 - MAIN EXPLODED VIEW - FINAL ASSEMBLY  
 Click on the part number to view part

| Item | Original Part Number      | Replaced By               | Status        | Part Description               |
|------|---------------------------|---------------------------|---------------|--------------------------------|
| 001  | <a href="#">24001171</a>  |                           |               | Panel Kit, Valve               |
| 002  | <a href="#">Y24001300</a> |                           |               | Hinge                          |
| 003  | 24001301                  | <a href="#">67006964</a>  |               | Screw, Glide                   |
| 004  | <a href="#">24001323</a>  |                           |               | Screw                          |
| 005  | 24001402                  | <a href="#">24001198</a>  |               | Hose Kit, Soap Dispenser       |
| 006  | NLA                       |                           | Not Available | PANEL KIT, SIDE (RT.)50        |
| 007  | NLA                       |                           | Not Available | PANEL ASSY. (INNER FRONT)      |
| 008  | 24001550                  | <a href="#">24001532</a>  |               | Trim- Pane                     |
| 009  | 24001212                  | <a href="#">212277</a>    |               | Screw, No.8 X 1/2 Inch         |
| 010  | NLA                       |                           | Not Available | PANEL, CONTROL                 |
| 011  | NLA                       |                           | Not Available | PANEL KIT, SIDE (LT.)50        |
| 012  | 24001539                  |                           | Not Available | BRACKET, SOAP DISPENSER        |
| 013  | 24001540                  |                           | Not Available | RIVET, BLIND S.S. (1/8 X 5/16) |
| 014  | 24001510                  | <a href="#">W10139757</a> |               | Nut                            |

|     |                          |               |                       |
|-----|--------------------------|---------------|-----------------------|
| 015 | <a href="#">24001304</a> |               | Washer, Flat          |
| 016 | 24001219                 | Not Available | COVER, SOAP DISPENSER |
| 017 | <a href="#">24001542</a> |               | Clamp, Soap Dispenser |
| 018 | NLA                      | Not Available | COVER KIT, TOP        |
| 019 | <a href="#">24001220</a> |               | Lock, Top Cover       |
| 020 | <a href="#">24001221</a> |               | Latch, Top Cover      |
| 021 | 24001691                 | Not Available | BRACE, TOP            |
| 022 | <a href="#">24001237</a> |               | Capacitor             |
| "   | <a href="#">24001239</a> |               | Capacitor             |
| "   | <a href="#">24001241</a> |               | Capacitor W/Res.      |
| 023 | <a href="#">24001303</a> |               | Screw                 |
| 024 | 24001674                 | Not Available | BRACKET, CAPACITOR    |
| 025 | NLA                      | Not Available | COVER KIT, TOP        |
| 026 | <a href="#">24001425</a> |               | Nut, Fiberlock, Pltd  |

