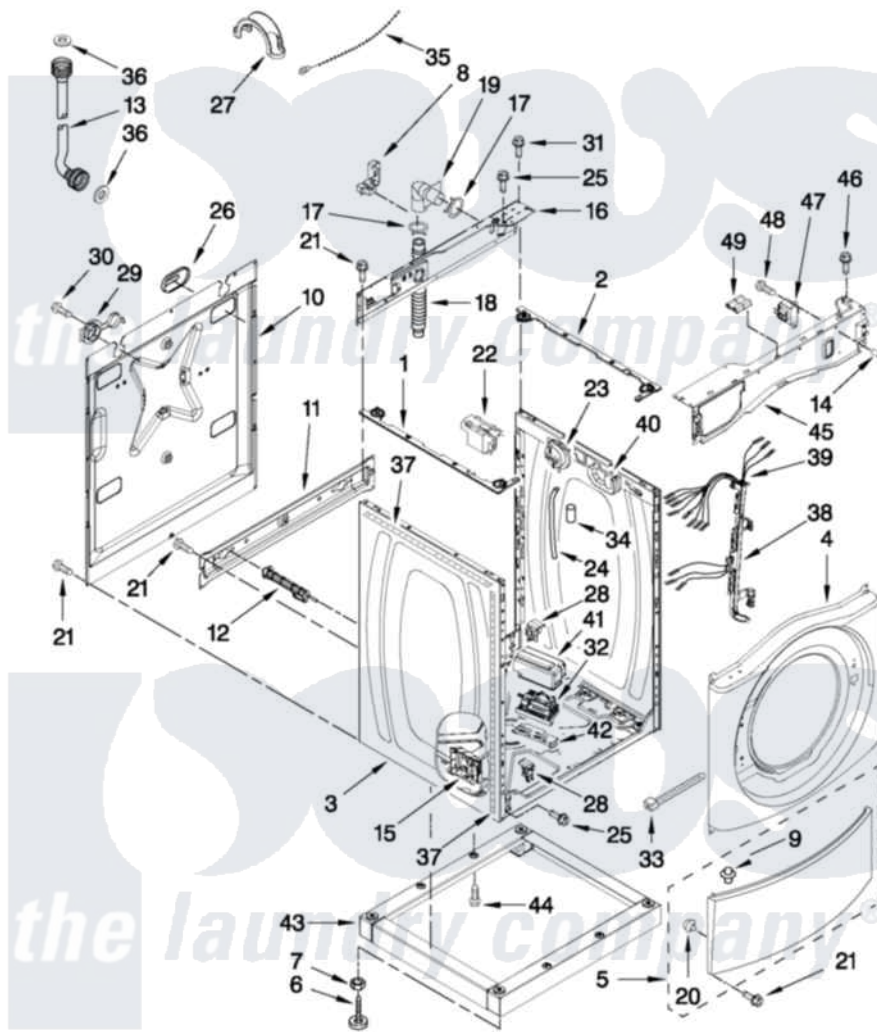


WASHER CABINET PARTS

For Model: CGT8000XQ0
(White)



FOR ORDERING INFORMATION REFER TO PARTS PRICE LIST

W10372256

10

Maytag Commercial Maytag CGT8000XQ0 Stacked Washer and Dryer Parts Parts Diagram 06 - WASHER CABINET PARTS

Click on the part number to view part

Item	Original Part Number	Replaced By	Status	Part Description
1	W10198348	W10405229		Rail-Spacer, Left
2	W10198347	W10405223		Rail-Spacer, Right
3	W10225458			Cabinet
4	W10306505			Panel, Front
5	8540813	8540664		Toe Panel
6	W10245373			Foot, Leveling
7	3359452			Nut, Lock
8	W10110676	8182635		Strain Relief
9	8518891			Rivet
10	W10258342			Panel, Rear
11	W10189659			Brace, Transport
12	W10251449	W10285622		Bolt
13	W10194208	89503		Hose-Inlet
"	8571378	89503		Hose-Inlet
14	W10018050			Caplug
15	W10384849			Motor Control Unit

16	W10244560		Brace, Rear
17	356138		Clamp, Hose
18	W10106460		Hose, Drain-Outer
19	W10003260	8181738	Connector, Hose Outlet
20	238614		Bumper And Isolation
21	W10015090	489442	Screw 3 2217757 Roller, Front
22	W10339736		Filter, Interference
23	W10292407		Switch, Pressure
24	8540294		Hose, Pressure Switch
25	8540479		Screw, Grounding
26	8540268		Cover, Transport
27	8577378		U-Bend, Drain Hose
28	W10085220		Microswitch
29	8540728	8182699	Grommet, Cord Support
30	8540727	8182201	Screw, 3 X 8 mm
31	8540329		Screw, 8-18 X 7/16
32	W10345827	W10471661	Control-Elec
33	3429563	2205813	Strap
34	2161302	2162499	Sleeve, Suction Line
35	3347868	W10339879	Tie, Cable
36	3976300	16123	Washer Inlet-Hose Miscellaneous Parts Must be Ordered Separately.
37	8318396		Foam-Seal
38	W10168546		Harness Channel, Side Front
39	W10330830		Harness, Main Wiring Includes Item 38
NI	W10342200		CCU To Cold Fill Valve
"	W10342201		CCU To Hot Fill Valve
"	W10342210		CCU To MCU-Power
"	W10342214		CCU To MCU-Serial Communication
"	W10342208		Door Lock - Power
40	8540643		Bracket, Spring
41	W10198281	W10405233	Cover, CCU
42	W10198280		Bracket, CCU
43	W10103350	W10103350A	Pedestal
44	3400111		Screw, 12-14 X 5/8
45	W10294428		Bracket, Console
46	W10015090	489442	Screw 3 2217757 Roller, Front
47	W10198388		Transformer, 120 To 22.5 Vac
48	8540329		Screw, 8-18 X 7/16
49	W10198373		Retainer-Base

the laundry company[®]