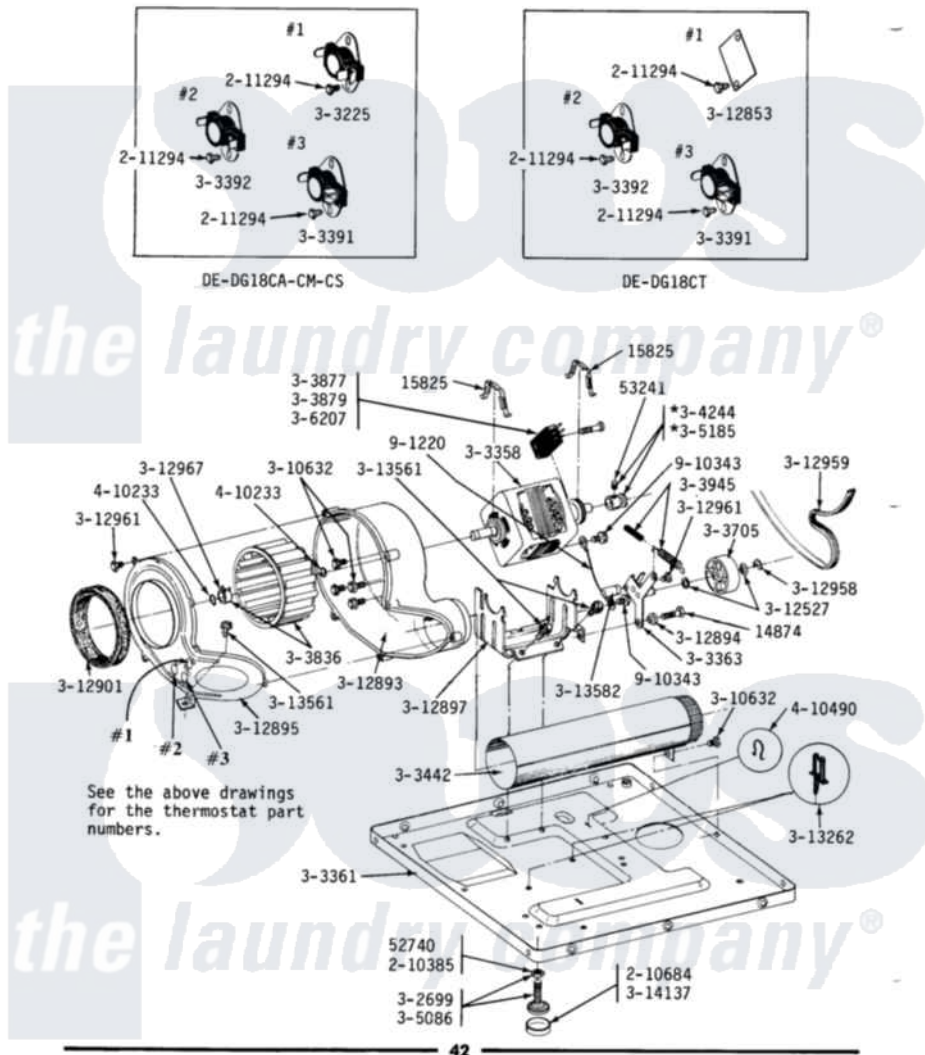


Maytag DE18CT 14 - MOTOR, BLOWER, BASE FRAME & THERMOSTATS

DE-DG18CA-CM-CS-CT

MOTOR, BLOWER, BASE FRAME & THERMOSTATS



Maytag Commercial Maytag DE18CT Dryer Parts Diagram 14 - MOTOR, BLOWER, BASE FRAME & THERMOSTATS

[Click on the part number to view part](#)

Item	Original Part Number	Replaced By	Status	Part Description
001	Y014874			Screw, Idler Arm And Sleeve
002	Y015825			Clip, Motor To Motor Support
003	Y052740	62739		Nut, Lock
004	Y053241			Set Screw, Motor Pulley
005	210385			Lock Nut For Adjustable Leg
006	210684			Foot, Adjustable Leg
007	211294	90767		Screw, 8A X 3/8 HeX Washer Head Tapping
008	Y302699	22003428		Leg, Adjustable
009	Y303358	W10410999		Motor-Drive
010	Y303361		Not Available	BASE ASSY. (UPPER & LOWER)
011	Y303363	6-3033630		Idler Arm
012	Y303391	33303391		Thermostat, Cycling
013	303392			Thermostat, Cycling
014	Y303442			EXHAUST DUCT ASSEMBLY

015	Y303705	6-3037050		Pulley- ID
016	Y303836			Blower Wheel Assembly And Clamp
017	Y303877		Not Available	SWITCH, MOTOR EXTERNAL START No.303358-2, No.303358-4, 303358-7
018	Y303879			Switch, Motor External Start
019	Y303945			IDLER SPRING ASSY. W/PLUG
020	Y304244			Motor Pulley With Set Screw
021	Y304245	W10116792		Pulley-Idl
022	Y305086			Adjustable Leg And Nut
023	Y305185	6-3051850		Pulley- MO
024	NLA		Not Available	SWITCH, MOTOR START-PROD.
025	Y310632	1163839		Screw
026	Y312527			Washer, Idler Shaft
027	Y312853			Cover For Thermostat Openin
028	Y312893			Housing, Blower
029	Y312894	315772		Sleeve, Idler Arm
030	Y312895		Not Available	COVER FOR BLOWER---NA
031	NLA		Not Available	SUPPORT, MOTOR
032	Y312901			Seal, Housing Cover
033	312958	354987		Ring, Retaining
034	Y312959			Poly "V" Belt For Tumbler
035	Y312961	W10116751		Screw
036	312967			Clamp, Blower Housing
037	Y313262	W10116752		Retainer-
038	Y313561			Screw---NA
039	Y313582	W10116756		Spacer
040	Y314137			Foot, Rubber
041	410233	9703438		Ring-Retrn
042	410490			Spring, Retainer Wire Harness
043	901220			Ground Wire
044	910343	488234		Screw 8-32 X 1/4

