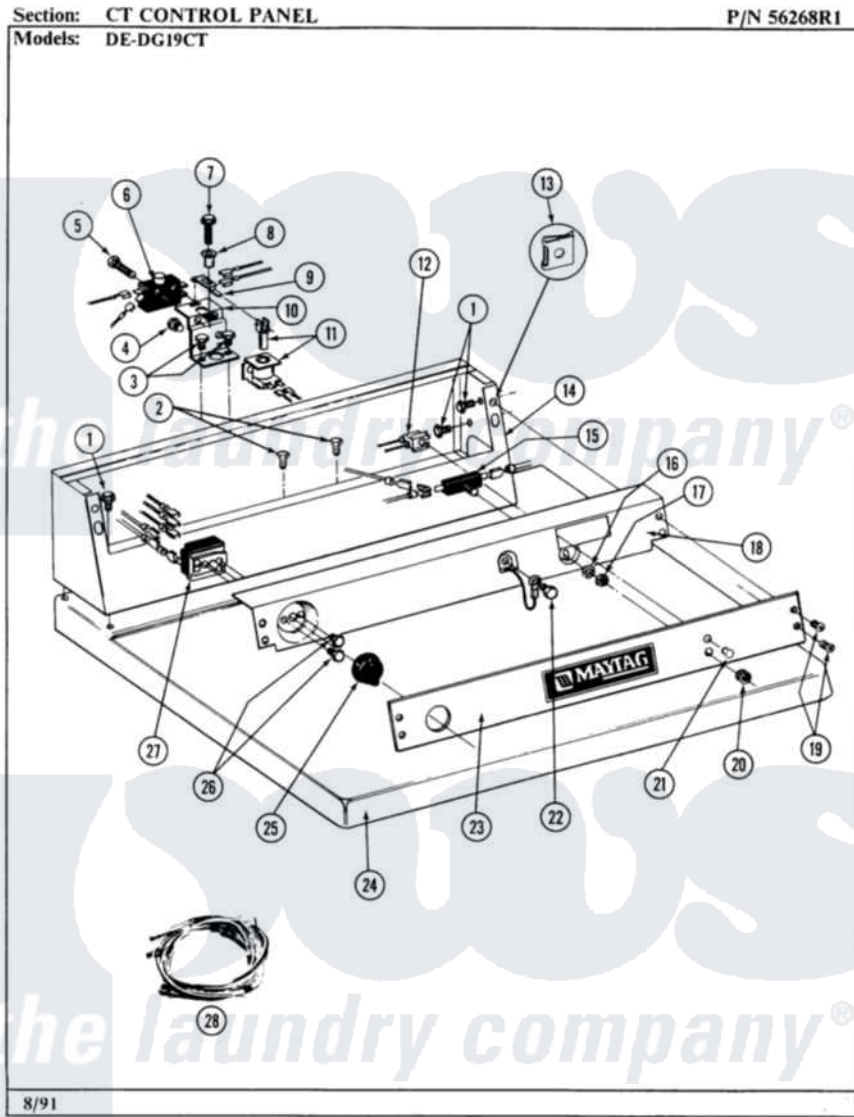


# Maytag DE19CT 08 - CONTROL PANEL



10

Maytag [Commercial Maytag DE19CT Dryer Parts](#) Parts Diagram 08 - CONTROL PANEL

[Click on the part number to view part](#)

Item	Original Part Number	Replaced By	Status	Part Description
001	212276	<a href="#">W10116760</a>		Screw
002	<a href="#">211294</a>	<a href="#">90767</a>		Screw, 8A X 3/8 HeX Washer Head Tapping
"	Y314322	<a href="#">211251</a>		Screw, Transformer
003	<a href="#">211294</a>	<a href="#">90767</a>		Screw, 8A X 3/8 HeX Washer Head Tapping
004	<a href="#">212951</a>			Screw, No.6-32 X 1/4 Inch
005	212950	<a href="#">M0227520</a>		Screw-Tc No.6-32 X 13/16", Preform SwiTch
006	Y303787		Not Available	SWITCH FOR RELAY
007	212949	<a href="#">22001866</a>		Screw, Relay
008	NLA		Not Available	SPACER FOR ADVANCE RELAY
009	NLA		Not Available	SPRING LEVER FOR RELAY
010	NLA		Not Available	RELAY BRACKET
011	<a href="#">305393</a>			Solenoid For Relay Assembly
012	NLA		Not Available	PILOT LIGHT
013	<a href="#">215003</a>			Fastener, Panel And Bracket

014	<a href="#">305213</a>		Console-White
"	NLA	Not Available	CONSOLE-ALMOND---NA
015	<a href="#">Y303318</a>		Switch Assembly With Hex Nu
016	<a href="#">312751</a>		Lockwasher, Start Switch
017	Y312706	<a href="#">422617</a>	Nut
018	NLA	Not Available	BACK UP PLATE-HARVEST WHEAT
019	<a href="#">212277</a>		Screw, No.8 X 1/2 Inch
020	<a href="#">Y312702</a>		Knurled Nut, Start Switch
021	<a href="#">213099</a>		Lens For Control Panel
022	<a href="#">211252</a>		Screw, Ground Wire
023	NLA	Not Available	CONTROL PANEL
024	NLA	Not Available	TOP COVER-ALMOND
"	Y305191	Not Available	TOP COVER-WHITE
025	<a href="#">205663</a>		Knob For Selector Switch
026	<a href="#">Y313588</a>	<a href="#">488234</a>	Screw 8-32 X 1/4
027	Y303420	Not Available	SELECTOR SWITCH
028	NLA	Not Available	MAIN WIRE HARNESS

