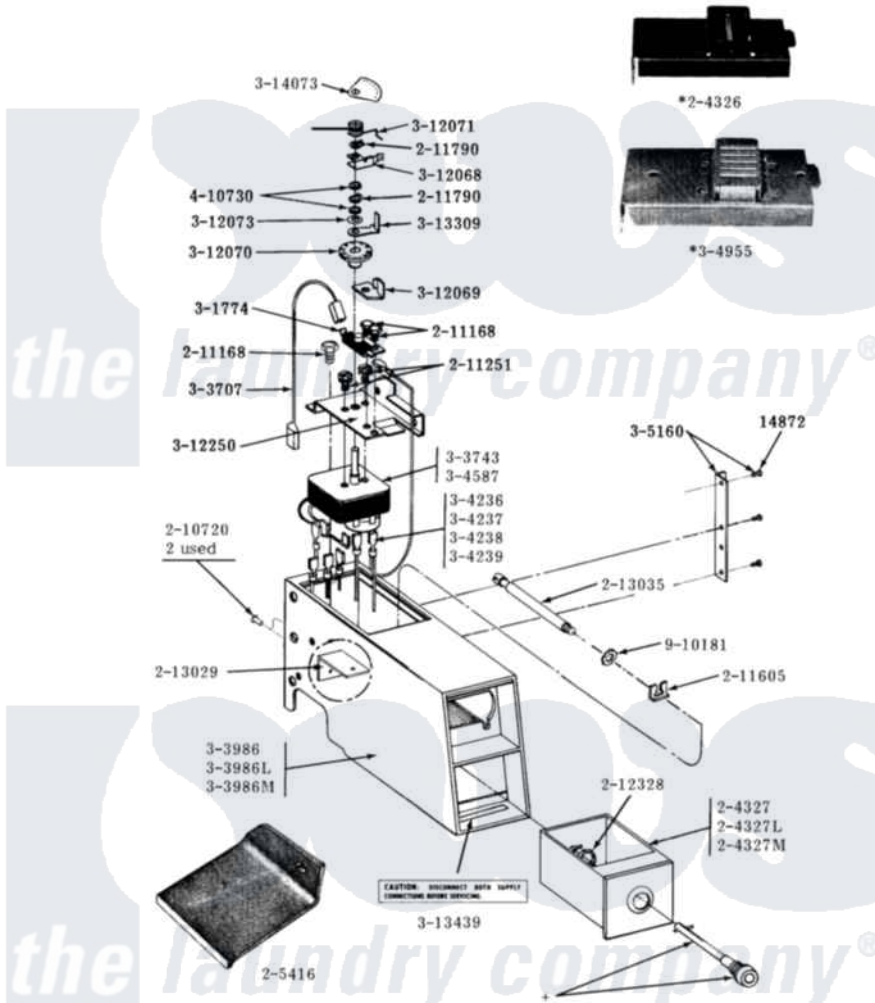


MODELS DE-DG21CM-CS CS CONTROL CENTER



*Check the descriptions before ordering a coin box cover or coin drop assembly
 + Contact your commercial distributor for locks and keys.

Maytag Commercial Maytag DE21CM Dryer Parts Parts Diagram 04 - CONTROL CENTER
 Click on the part number to view part

Item	Original Part Number	Replaced By	Status	Part Description
001	Y014872			Screw, Coin Meter Stop -
002	NLA		Not Available	COIN DROP ASSEMBLY
003	205416			Guard For Coin Box
004	210720			Rivet, Bearing To Tumbler Frnt
005	211168	W10139210		Screw, 8-18 X 5/16
006	211251			Screw, Transformer
007	211605			Bezel, Timer Dial
008	211790			Lock Ring For Timer Shaft
009	212328	W10139762		Hex Nut, 3/4-27
010	213029			Timer Support Bracket
011	213035			Bolt, Locking
012	Y301774			Switch For Coin Slide
013	Y303707			Wire Assembly
014	Y303743			Timer
015	NLA		Not Available	OUTER CASE-WHITE
016	NLA		Not Available	WIRE HARNESS-UPPER

017	NLA	Not Available	WIRE HARNESS-LOWER
018	NLA	Not Available	TIMER MOTOR
019	NLA	Not Available	COIN METER STOP WITH SCREWS
020	Y312068		Return Lever
021	Y312069		Stop For Actuator
022	NLA	Not Available	RATCHET FOR TIMER
023	Y312071		Return Spring For Actuator
024	312073		Spring Washer
025	312250		Timer Support Bracket
026	Y313309		Timer Actuator Lever
027	Y313439	Not Available	INSTRUCTION LABEL
028	314073		Time Indicator Gage
029	410730		Washer
030	910181		Lockwasher, Terminal Block

