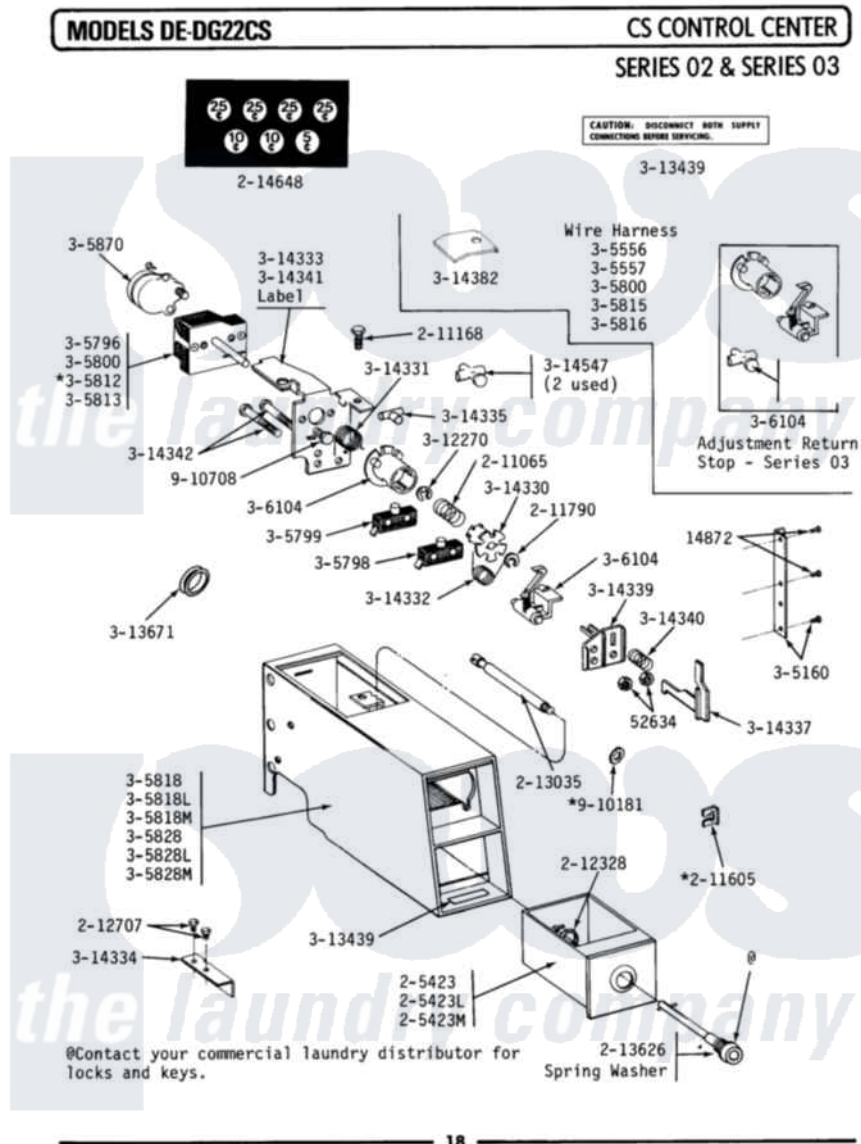


# Maytag DE22CS 06 - CONTROL CENTER (SERIES 02 & SERIES 03)



Maytag Commercial Maytag DE22CS Dryer Parts Parts Diagram 06 - CONTROL CENTER (SERIES 02 & SERIES 03)  
Click on the part number to view part

Item	Original Part Number	Replaced By	Status	Part Description
001	<a href="#">Y014872</a>			Screw, Coin Meter Stop -
002	Y052634	<a href="#">701719</a>		Nut, Hex
003	205423	<a href="#">208883</a>		Coin Box K
"	205423L	<a href="#">208883</a>		Coin Box K
004	<a href="#">211065</a>			Spring, Index Wheel
005	211168	<a href="#">W10139210</a>		Screw, 8-18 X 5/16
006	<a href="#">211605</a>			Bezel, Timer Dial
007	<a href="#">211790</a>			Lock Ring For Timer Shaft
008	212328	<a href="#">W10139762</a>		Hex Nut, 3/4-27
009	212707	<a href="#">3196385</a>		Screw
010	<a href="#">213035</a>			Bolt, Locking
011	NLA		Not Available	SPRING WASHER FOR LOCK
012	<a href="#">214648</a>			Decal, Coinage
013	NLA		Not Available	COIN METER STOP WITH SCREWS
014	<a href="#">305796</a>			Timer

015	305798	Not Available	BYPASS SWITCH FOR MOTOR
016	<a href="#">Y305799</a>		Bypass Switch For Heater
017	<a href="#">305800</a>		Wire Harness For Timer
018	<a href="#">305812</a>		Timer
019	<a href="#">305813</a>		Part Not Available Part Not Used
020	<a href="#">305815</a>		Wire Harness - Lower
021	NLA	Not Available	WIRE HARNESS-UPPER
022	NLA	Not Available	OUTER CASE (WHT)
023	NLA	Not Available	CONTROL CENTER-WHITE
024	<a href="#">305870</a>		Timer Motor
025	<a href="#">306104</a>		Actuator Switch Kit
026	<a href="#">Y312270</a>		Clip, Spring Retainer
027	Y313439	Not Available	INSTRUCTION LABEL
028	Y313671	<a href="#">33001303</a>	Grommet, Plate Hole
029	314330	Not Available	DRIVER FOR INDEX WHEEL (NOT INCLUDED W/KIT)
030	<a href="#">314331</a>		Spring, Torsion Return
031	<a href="#">314332</a>		Spring, Actuator
032	<a href="#">314333</a>		Timer Mounting Bracket
033	<a href="#">314334</a>		Bracket For Coin Slide
034	<a href="#">314335</a>		Peg, Tine Adjustment
035	314337	<a href="#">33002968</a>	Slider
036	<a href="#">314339</a>		Switch And Slider Bracket
037	NLA	Not Available	HELICAL SPRING ---N
038	NLA	Not Available	INSTRUCTION LABEL
039	NLA	Not Available	SCREW
040	NLA	Not Available	STOP FOR TIMER MECHANISM
041	314547	<a href="#">Y308109</a>	Slide And Adj. Return Bracket
042	<a href="#">910181</a>		Lockwasher, Terminal Block
043	910708	<a href="#">488234</a>	Screw 8-32 X 1/4

